

FSW75 — All Glass Folding System

The FSW75 all glass folding system offers clean-lined, transparent solutions with no vertical profiles for retail storefronts, shopping centers, banks, offices and many other applications. The all glass aesthetic works well with all design styles. The FSW75 creates a barrier free storefront allowing for immediate engagement between retailers and their customers. In offices, the FSW75 is well suited for flexible space management while allowing natural daylight to move throughout the interior space.

The FSW75 system allows for unlimited widths with the use of paired panels and offers convenient swing panels that are attached to the chain of folding panels. This folding system is able to mix and match with HSW75 and CSW75 for a seamless and consistent design.

Frameless Folding Systems for Space Management in Unlimited Widths:

Create an unlimited span of top hung folding panels with the addition of paired panels to optimize space management. FSW75 requires the use of a floor track.

3 15/16" Continuous Rail for Outstanding Aesthetics:

The FSW75 system comes standard with a 3 15/16" (100 mm) continuous top and bottom horizontal rail, allowing for a beautiful aesthetic and maximum glass. Customized rail options are available in increments of 3/16" (5 mm) from 5 1/4" (133 mm) to 7 13/16" (198 mm). To meet ADA requirements, two options are offered: a 10" (254 mm) bottom rail or a 4 5/8" (117 mm) chamfer bottom rail.

Mix and Match System Options Available for Total Design Freedom:

The FSW75 uses the same head track and has the same 3 15/16" (100 mm) continuous top and bottom horizontal rails as the single track sliding HSW75 and the center pivot folding CSW75 systems. These three systems can be mixed and matched to create solutions for unique design challenges all with the same continuous look.

Smooth and Quiet Operation:

The rollers are designed using hardened steel ball bearings with glass fiber reinforced polyamide wheels with memory effect for quiet and smooth operation. Polyamide bumpers are added to each end of the roller to avoid metal to metal contact of the rollers inside the track.

Taller Heights and Wider Widths:

FSW75 comes in sizes up to 3' 3" (1000 mm) in width and 10' 6" (3200 mm) in height for full sized folding panels. A single action folding swing panel or option of a pair of swing panels are available in the middle of the system with sizes available up to 3' 3" (1000 mm) in width and 10' 6" (3200 mm) in height. For all single/double action end panels, sizes available are up to 3' 7" (1100 mm) in width and 10' 6" (3200 mm) in height.

No Need for Additional Structural Support for Parking:

With the FSW75 there is no need for additional structural support for the parking of the panels since parking remains within the plane of the opening.

Single/Double Action End Panels:

End panels can be single/double action panels with pivot points or single/double action panels with offset hinges that are capable of opening 180°. Single/double action panels with pivot points have passed 100,000 cycle testing.

Single Action Swing Panels Attached to a Chain of Folding Panels:

A single action swing panel is available attached to the end of a chain of panels that folds away along with the rest of the system. For additional traffic pattern requirements, a pair of single action swing panels can be added to function similarly to French doors.

Convenient Handle Height Locking Option:

Tube100 integrates a locking mechanism with a profile cylinder at hand height into the tubular designed handle eliminating the need to kneel to lock the door at the bottom rail. Tube100 comes in a brushed stainless steel finish.

Added Security and Acoustical Buffering in an All Glass System:

As a standard security measure, two hidden set screws per hinge are accessible only when the unit is in the open position. For projects requiring higher levels of security, or an increased acoustical barrier, NanaWall FSW75 can be configured with laminated glass.

Exterior Capabilities:

FSW75 can be used in exterior applications as a windbreak. Please note that at this time, FSW75 is not rated for air and water infiltration or acoustical performance.

ADA Compliant Floor Track:

Standard to the FSW75 is an ADA compliant recessed floor track.

Matching Hinges and Hinge Covers:

For added aesthetic value, hinges and hinge covers in coordinating colors are used.

Finishes:

Available standard door rail finish is clear anodized. Options include: dark bronze anodized, brushed anodized (closest match to stainless steel), and black anodized. Custom colors and standard RAL colors are also an available option. For installations in need of greater corrosion resistance, the post assembly is available in clear anodized finish.

The standard exterior surface finish for the normally recessed head track is clear anodized. However, it is also available in other anodized finishes, brushed anodized, or powder coated.

Locking: (Quick Release Floor Bolt with Spring Loaded Security Feature, Floor Bolt with Profile Cylinder, Floor Bolt with Half Cylinder, Tubo100)

All folding panels are equipped with a quick release floor bolt with spring loaded security feature in the lower rail. All swing panels and single/double action end panels are equipped with a quick release floor bolt with spring loaded security feature in the lower rail or an optional profile cylinder on the swing side of the system.

Additional locking options include:

- The Tubo100 brushed stainless steel finish handle/locking system that integrates a locking mechanism with a profile cylinder at hand height into the tubular designed handle eliminating the need to kneel to lock the door at the bottom rail.
- A lever handle with deadbolt and a mortise cylinder or with SFIC adapter.
- For additional security on swing panels and single/double action end panels, an optional crank handle operated surface mounted bolt can be added at the top rail.

- If requested, NanaWall will prep the glass to accept locking options provided by others in order to match project specific designs.

Door Closers:

For single/double action end panels, optional door closers are available. A floor closer is available for single/double action end panels or a top door closer is available for a single action end panel when recessing the floor closer is not an option.

Push/ Pull Handles for Single/Double Action End Panels:

FWS75 offers custom made brushed stainless steel finish door pull options with built-in bumpers to protect against metal to glass contact. Other material options, such as powder coated aluminum are also available (please contact NanaWall Systems for details).

If requested, NanaWall Systems will also prep the glass to accept door pulls provided by others in order to match project specific designs.

Matching Hinges:

For added aesthetic value, hinges and hinge covers in coordinating colors are used. Each hinge is equipped with transparent bumpers to avoid metal to metal contact.

Glazing:

Standard glass thickness supplied is 1/2" (12 mm) tempered or (12.52 mm) laminated. To reduce glass stress, glass is clamp installed for equal distribution of weight.

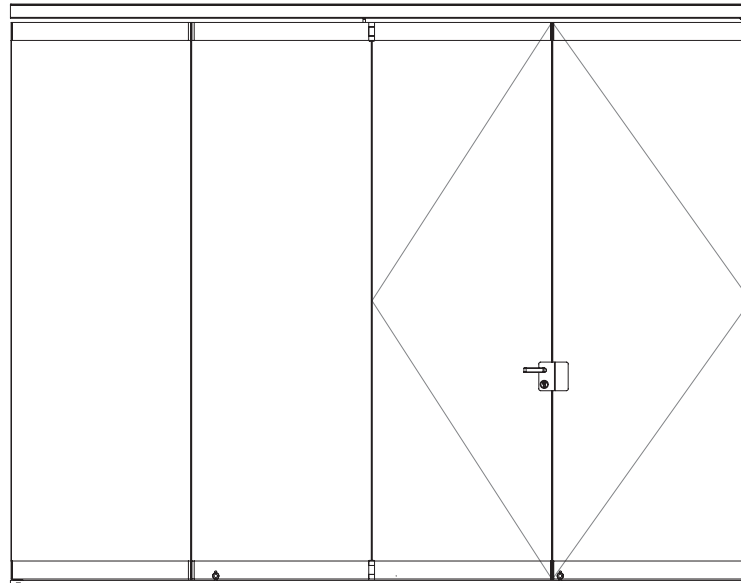
An optional white interlayer can be added for the closed panels to be used in a similar manner as a white board. Additional glazing options include low iron or decorative glass. Please contact NanaWall Systems to verify.

Optional Sidelites, Fixed Panels, Frameless Folding or Single Track Sliding Systems:

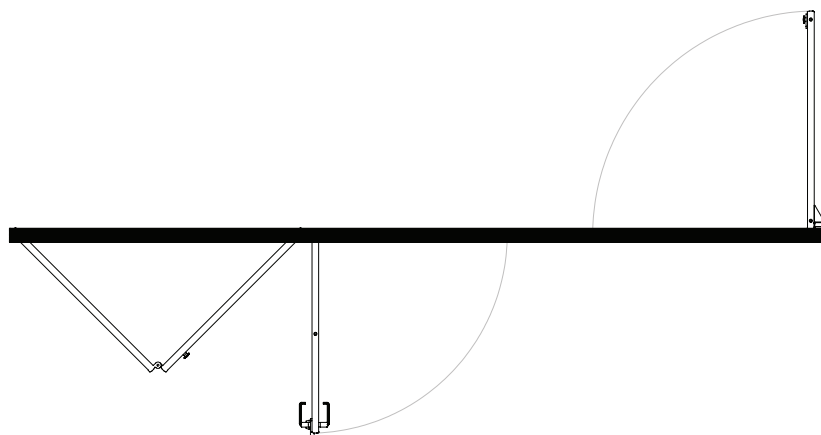
When required, coordinating fixed panels and sidelites are available to complete the intended design.

Frameless center pivot folding CSW75 and single track sliding HSW75 are also available.

Maximum Size Chart for NanaWall FSW75 system for different types of panels



Maximum panel sizes and weights with glass thickness of 1/2" (12 mm)	Folding End Panel	Folding Panel	Swing Panel Attached to Another Panel	Single/Double Action End Panel
Maximum Unit Height	10' 6" (3200 mm)	10' 6" (3200 mm)	10' 6" (3200 mm)	10' 6" (3200 mm)
Maximum Panel Width	3' 3" (1000 mm)	3' 3" (1000 mm)	3' 3" (1000 mm)	3' 7" (1100 mm)



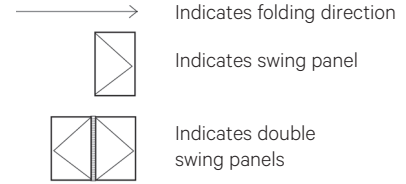
Maximum sizes for 1/2" (12 mm) as shown is per Glass Association of North America (GANA) recommendations. Please also check applicable codes for maximum allowed height for the relevant glass thickness.

Applicable codes may limit the maximum sizes possible to be less than what NanaWall allows.

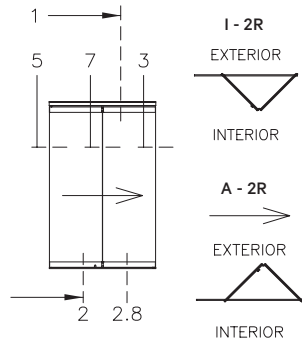
Elevation drawings and plan views of some models with a majority of panels folding to the right (looking from the inside)

Not shown, but panels folding similarly but with the majority of panels folding to the left with more panels than shown (max. of 6 panels pivoting at each end) are also possible. Please check with NanaWall for other possibilities.

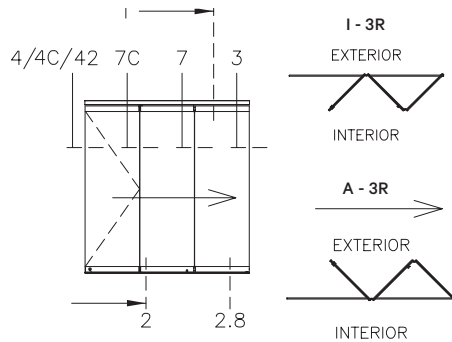
Shown to the right of each elevation are horizontal cross-section schematics of the folding operation of the panels. Shown are schematics for both inward (“I”) and outward opening (“A”) units with the upper part being the outside and lower part being the inside. **For inward opening section details, look at details with “.0” suffix; for outward opening section details, look at details with “.1” suffix.**



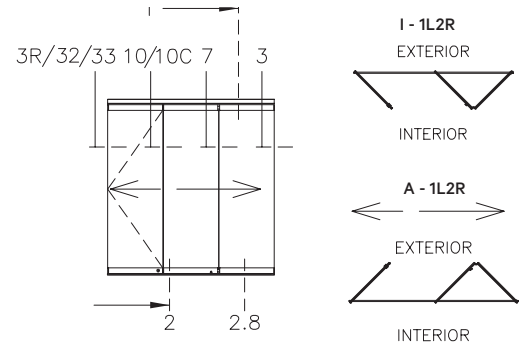
Model 2R



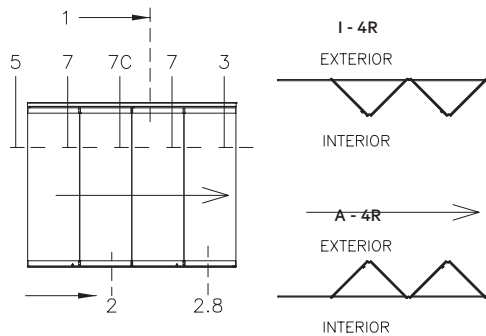
Model 3R



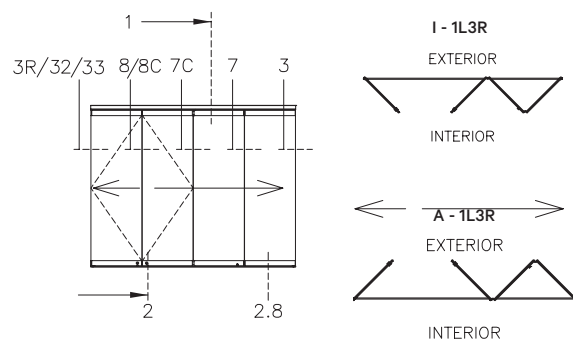
Model 1L2R



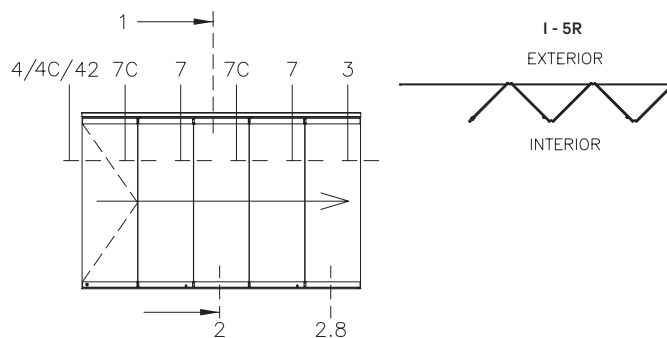
Model 4R



Model 1L3R



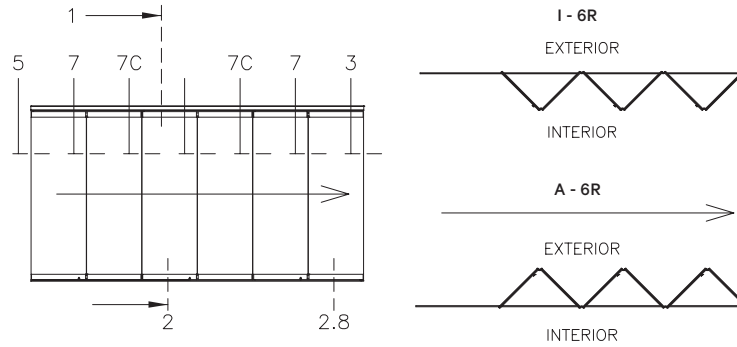
Model 5R



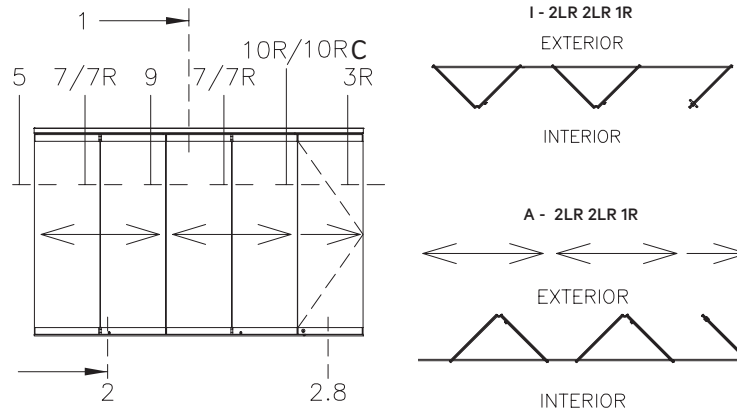
Elevation drawings and plan views of some other possible configurations (locking from the inside).

Please check with NanaWall for other possibilities.

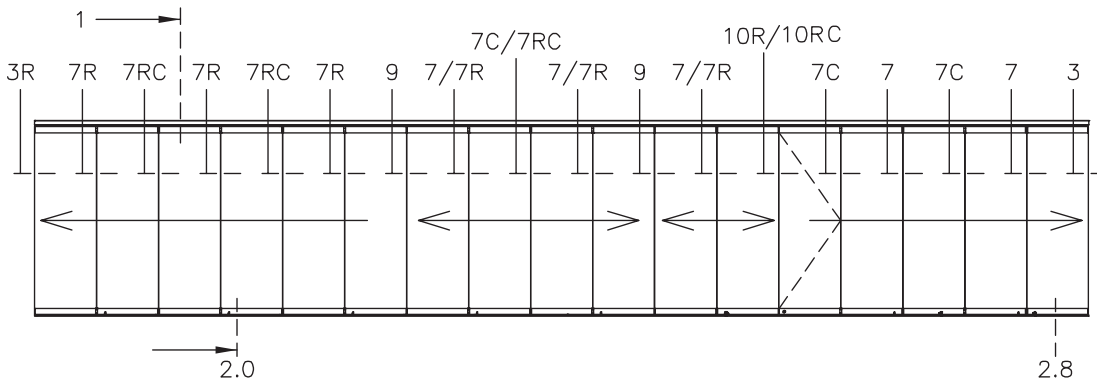
Model 6R



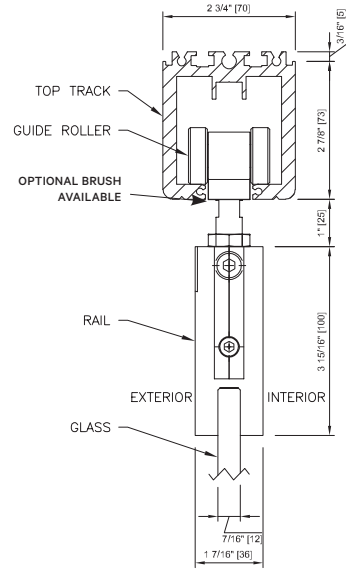
Model 2LR 2LR 1R



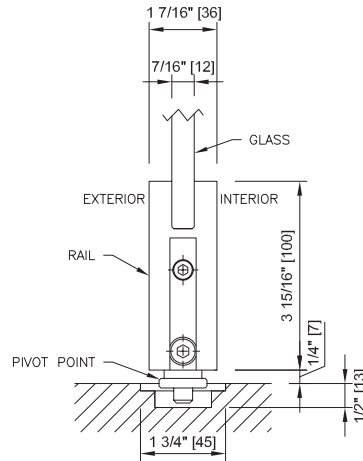
Model A-6L A-4LR I-2LR I-5R



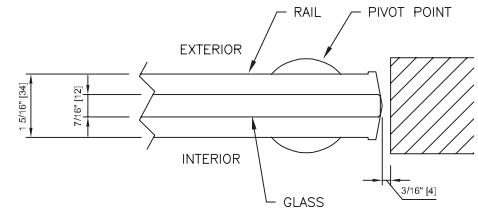
Detail 1.0/1.1 (inswing/outswing)
Head Profile



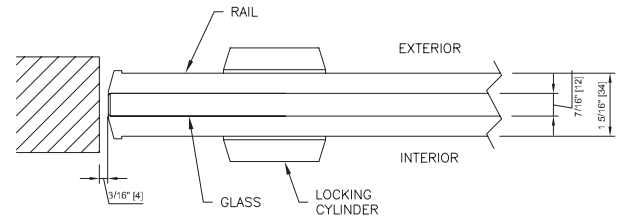
Detail 2.80/2.81 (inswing/
outswing) Bottom profile of end
panel with pivot point



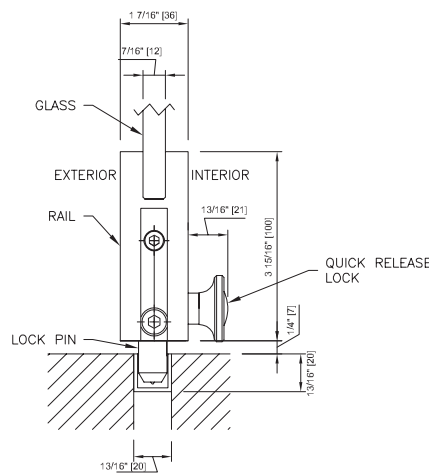
Detail 3.0/3.1 (inswing/
outswing) End panel pivot point



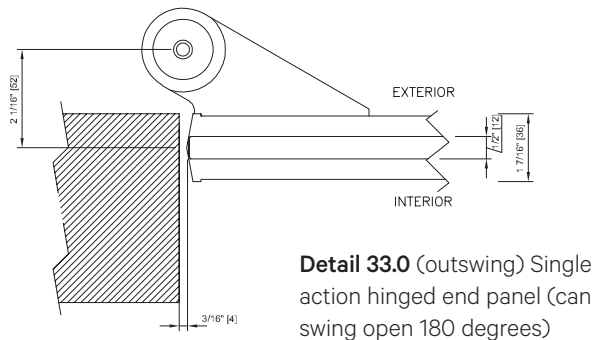
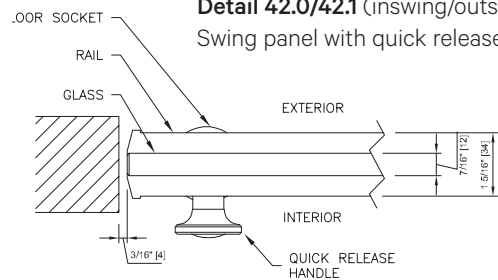
Detail 4.0/4.1 (inswing/outswing)
Swing panel with profile cylinder



Detail 2.0/2.1 (inswing/
outswing) Bottom profile
with guide channel and
quick release lock

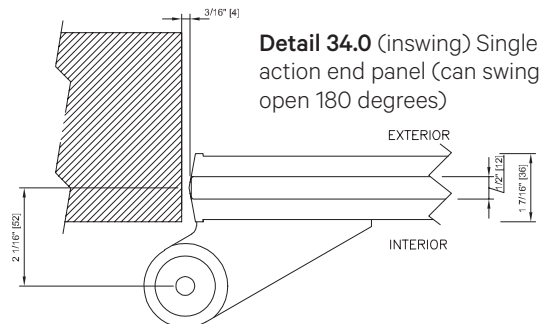


Detail 42.0/42.1 (inswing/outswing)
Swing panel with quick release lock

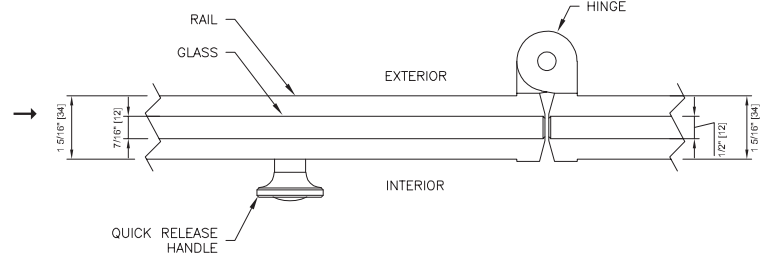


Detail 33.0 (outswing) Single
action hinged end panel (can
swing open 180 degrees)

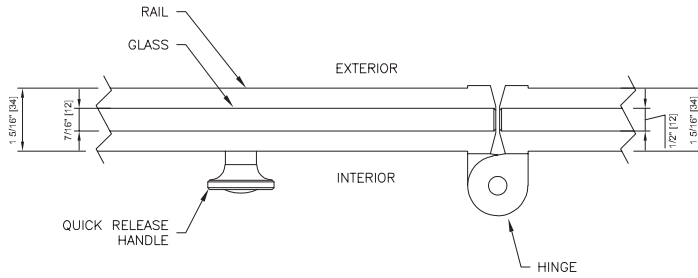
Detail 34.0 (inswing) Single
action end panel (can swing
open 180 degrees)



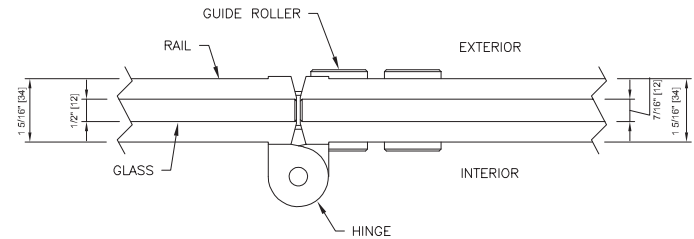
Detail 7.0 (inswing) Folding panel with quick release lock



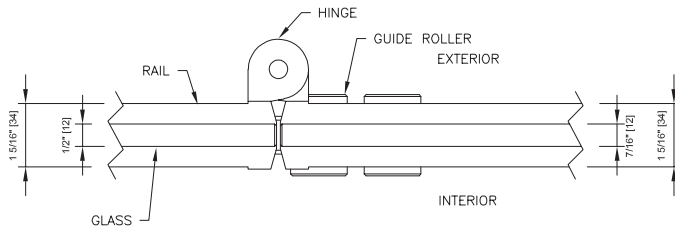
Detail 7.1 (outswing) Folding panel with quick release lock



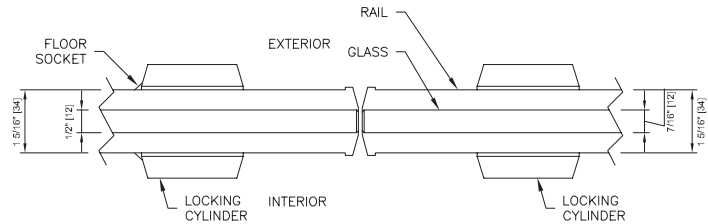
Detail 7C.0 (inswing) Folding Panel with roller



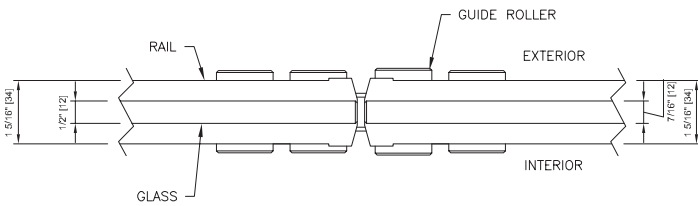
Detail 7C.1 (outswing) Folding Panel with roller



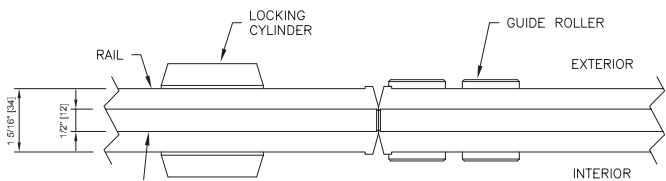
Detail 8.0/8.1 (inswing/outswing) Swing Panels with profile cylinder



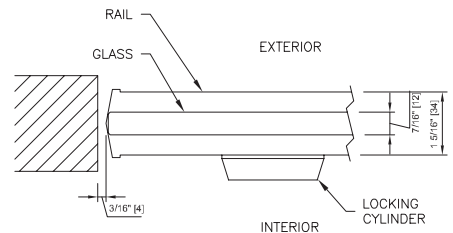
Detail 9.0/9.1 (inswing/outswing) Two folding panels with rollers meeting



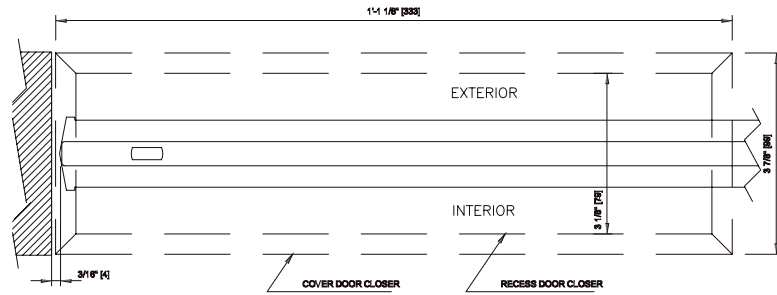
Detail 10.0/10.1 (inswing/outswing) Swing panel and folding panel with roller meeting



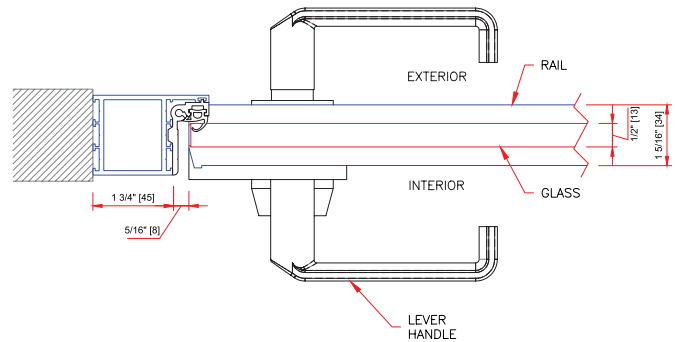
Detail 5.0/5.1 (inswing/outswing) Folding end panel with half cylinder



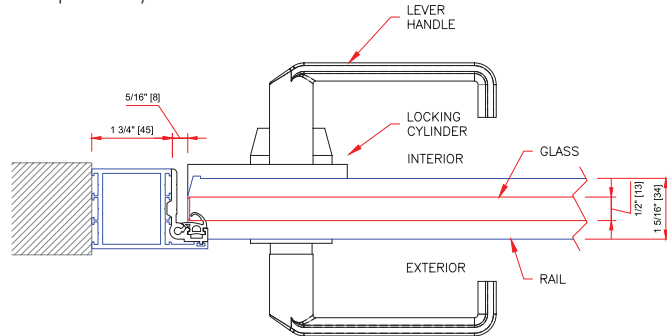
Detail 32.0 Single / Double action (swing) end panel with bottom door closer (non sliding)



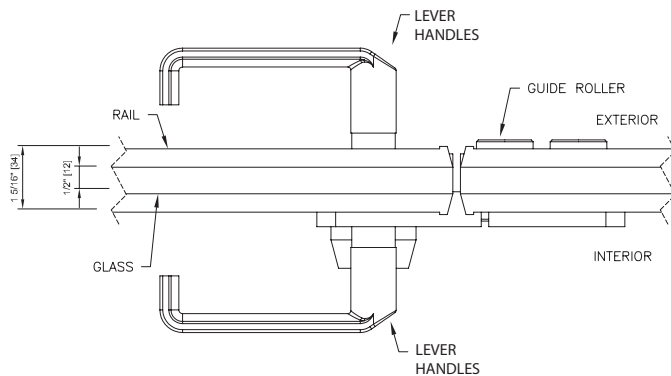
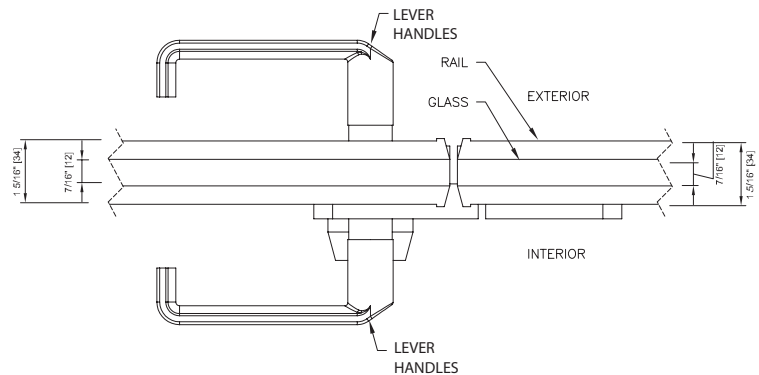
Detail 34.0 (inswing) Single action end panel



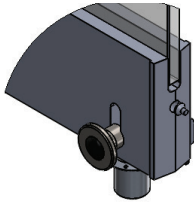
Detail 4C.1 (outswing) Swing Panel with lever handle and profile cylinder



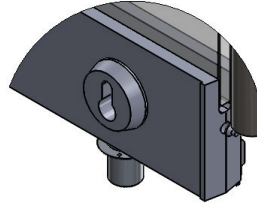
Detail 8C.0/8C.1 (inswing/outswing) Swing Panel with lever handles on primary swing panel



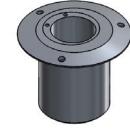
Detail 10C.0/10C.1 (inswing/outswing) Swing Panel with lever handles and folding panel with roller meeting



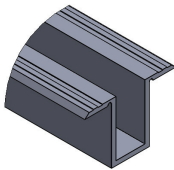
Bottom profile - Quick Release Lock with Spring Loaded Security Feature



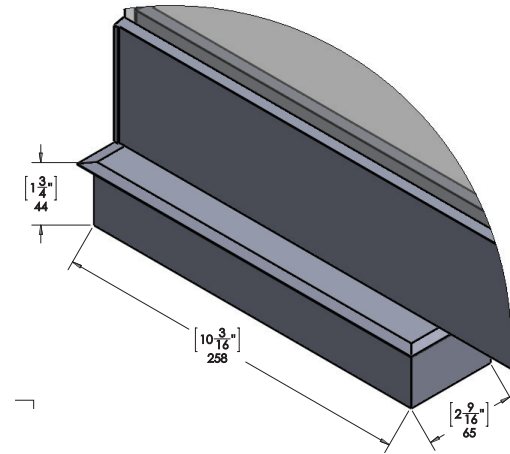
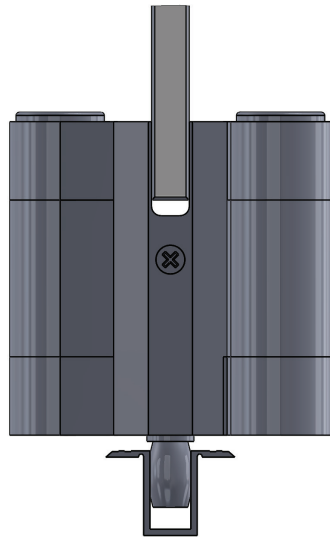
Bottom profile with Profile Cylinder



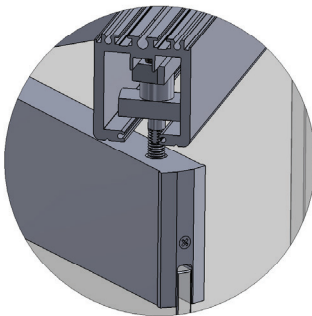
Eccentric Socket



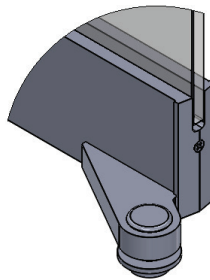
Bottom Rail with hinges and guide channel



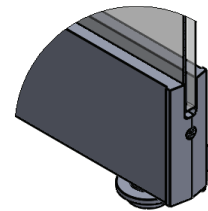
Bottom profile - Single / Double Action end (swing) panel with Bottom Door Closer



End Panel - Top Pivot Point



Bottom profile of Single Action Hinged End Panel



Bottom profile - Single / Double Action end (swing) panel with Pivot Point