



# Architectural Binder Section NW Clad 740

GENERATION ™

Folding Glass Walls by NanaWall

---

**NanaWall**<sup>®</sup>  
Boundaries **Unbound**<sup>®</sup>

Nana Wall Systems, Inc.  
100 Meadowcreek Drive #250  
Corte Madera, CA 94925

800 873 5673  
415 383 3148  
Fax 415 383 0312

info@nanawall.com  
nanawall.com

r6-0324

## NW Clad 740—Generation 4 Folding Glass Wall by NanaWall in Aluminum Clad

NW Clad 740, part of the Generation 4 Folding Glass Walls by NanaWall product family, provides the slimmest aluminum clad frame in the folding door industry. With the warmth of a quadruple laminated cross-grained wood frame to the interior and durable aluminum cladding on the exterior, the profile is styled in a crisp, angular design. The slim nature of this system provides an intersection of two folding panels at a mere 5 13/16" (148 mm). Comprised of a host of proprietary and patented features, this floor supported system offers an extremely streamlined appearance with minimal exposed hardware, creating a new level of aesthetics.

With floor supported aluminum clad framed panels capable of reaching impressive system heights up to 9' 10" (3000 mm) and panel widths up to 3' 3" (1000 mm), this folding glass wall offers the possibility of wider opening sizes with the integration of FourFold and SixFold Panel Sets that move and stack to either side of the opening. NW Clad 740 provides the ultimate in layout flexibility. As a custom-built architectural solution, this system is available in inswing or outswing configurations and can accommodate open corner designs.

The advanced engineering of NW Clad 740 is designed for energy efficiency, strong weather performance, and durability. This system provides exceptional protection from outside elements and delivers comfort and security when closed. As a NanaWall product, the NW Clad 740 has been put through rigorous independent performance testing for air, water, structural, operation, and forced entry.

### Minimal Sightline for a Modern Aesthetic

Panel frames are slim and attractive with a total 5 13/16" (148 mm) junction where the two adjacent folding vertical stiles meet. The contemporary panel profiles are crisp and angular. With stiles as thin as 2 11/16" (69 mm) and rails as thin minimal as 3 5/16" (84 mm), NW Clad 740 provides a slim-line aesthetic. Panel depth is 3 3/8" (86 mm). To coordinate with design programs, simulated divided lites and horizontal and vertical mullions are possible.

### Clip-on Cladding Technology Allows Wood to Breathe

Durable aluminum extrusions provide cladding over solid wood panel frames. Cladding adds a protective skin on the exterior for enhanced weather resistance and low maintenance. NW Clad 740 incorporates rear ventilation and clip attachments between the cladding and wood frame. This is beneficial when combining two different materials and allows the aluminum and the wood to expand and contract without constraint

during temperature fluctuations. This rear ventilation principle allows moisture to dissipate, which is especially needed in environments where temperatures are extremely hot, humid, or cold.

### Quadruple Laminated Cross-Grained Wood for Added Strength

NW Clad 740 is built with a quadruple laminated cross-grained solid premium wood core to achieve the tall and slim framed panel design of this fourth generation clad system. The quadruple-layer laminated wood allows for larger panel sizes, creates structural integrity, and provides long-term durability. Unlike other systems on the market, NanaWall clad framed systems are built on solid single-species wood frames and are not veneered over inferior wood. This allows for maintenance sanding and refinishing down the road that will not compromise the beautiful wood finish. NW Clad 740 is manufactured with sustainably harvested wood with wood options that meet the international standards of PEFC.

### Unique Gothic Arch Roller Design Provides Frictionless Smooth Operation

The bottom rollers run on two stainless steel wheels with a unique Gothic arch design supported by a double row of encapsulated and self-lubricating ball bearings. With a 2-point contact of each wheel to the floor track, the system glides quietly and smoothly with less friction by providing an equal distribution of weight on the stainless steel track.

The rollers run above the water table, visible during operation and concealed between the panel profiles when the system is closed. This proprietary design allows for continued long-term smooth operation and has been (internally) tested to 20,000 opening and closing cycles in accordance with DIN/EN 1191.

### Floating Left/Right FourFold or SixFold Panel Sets for Wider Openings and Flexible Stacking Placement

NW Clad 740, as part of the Generation 4 Folding Glass Walls by NanaWall, is the only floor supported, thermally broken clad folding system available that allows for larger opening sizes and flexible space management with the integration of FourFold or SixFold Panel Sets. These panel sets can move and stack either to the right, left, or center within the same track allowing the panels to be stacked in the most convenient location as needed. Additionally, the panels may be partially opened and located to control traffic flow or utilized to protect areas that are exposed to excessive wind.

## NW Clad 740 Floor Supported Technology Reduces Structural Requirements

Floor supported systems are ideal for applications where load-bearing capability of the header is a concern.

The benefits of floor supported are:

### Reduced Structural Requirements

- Control construction costs. NanaWall Floor Supported Technology requires less header load and limits the need for extensive pre-cambering.
- Improves the likelihood of keeping existing header when retrofitting/remodeling thus reduced construction costs—as long as the maximum deflection is the lesser of a 1/4" or L/720.

### Long-term Durability and Smooth Operation

- Floor supported systems are durable and offer smooth operation with stainless steel wheels on a stainless steel track.

## Three Sill Options with High Heel Resistant Feature

NW Clad 740 has three sill options: Performance, Low Profile Saddle, and Low Profile Saddle with UniverSILL® (Patent No.US011174673B2). Standard to all sills is removable aluminum high heel resistant sill inserts. These inserts provide ADA compliance for the Low Profile Saddle sill and create a very barefoot-friendly transition. Furthermore, the inserts offer protection from dirt and debris collecting in the bottom track. A lighted option is possible; LED rope lights by others may be run under the sill insert to illuminate the way.

## Swing Doors for Traffic Management

To accommodate traffic flow, swing panels can be added either to the end of a chain of panels for systems with an odd number of panels folding in one direction or hinged to the side jamb, depending on unit height and configuration.

Please reference the NW Clad 740 size charts.

NW Clad 740 allows for an up to 3' 3" (1000 mm) swing panel hinged to the side jamb. Swing panels have been tested and passed over 500,000 cycles and can be optionally outfitted with higher kickplates for ADA compliance. Panic hardware and top door closers by others are possible.

## Concealed Panel Alignment Means Less Exposed Panel Hinges

The patented (Patent No. US10711510B2) TwinX mechanism aligns panels of over 7' (2150 mm) in height by adding a hidden spring-loaded structural reinforcement feature without

the need for an additional exposed hinge in the middle of the system. TwinX interlocks the panels together when the system is closed providing a consistent seal between the panels, specifically engineered to meet higher wind loads. This unique feature provides a clean-lined, sleek, and uniform appearance to the system.

## Multipurpose Frame Insert Provides Continuous Surface at Side Jamb and Head Track

Standard to the system is a black polyamide clip-on multipurpose frame insert that conceals all visible frame-to-structure attachment points and screw heads to create a clean, even appearance. Additionally, this frame cover piece creates a hollow space to run and guide concealed cabling for the NW Clad 740 to connect to a home security system by others.

## System Width Adjustment Feature for Long-term Tight, Consistent Sealing

System width adjusts with ease. To allow for construction tolerance, a patented (Patent No. US10683688B2) lateral adjustment feature of +/- 3/16" (5 mm) is available at the side jamb. This allows for consistent seal compression within the system and can be adjusted should the need arise. This adjustment feature is located so that it does not interfere with the continuous perimeter seal of the frame.

## Anti-tilt Feature For Dynamic Stacking of Panel Sets

Each floor supported FourFold or SixFold Panel Set is outfitted with a proprietary engineered anti-tilt feature in the head track. This feature assures that the floating panels stack neatly and securely when in open formation. Panels may stack either to the right side, left side, or anywhere within the opening.

## Installation Mounting Plate for Optimal Load Transfer

Stainless steel installation plates provide optimal load transfer reducing the number of screws required for mounting the system's frame. Each installation plate is backed with a sealing cushion to avoid bridging the thermal break and spreads the load of the screw head over a larger surface area resulting in fewer fixing points needed. These plates create a clean, finished look.

## Optional Advanced Security Mechanism

For applications requiring state-of-the-art-security, an optional lock monitoring system with Reed contacts is available located within the head track. A special concealed locking mechanism end cap, in combination with the concealed Reed contact,

creates an open or closed loop for the home security system supplied by others. These optional locking features can be concealed cable routed through the frames to a home security system. Additionally, the Reed contact can be connected to a service/maintenance system by others that counts the number of opening and closing cycles of the unit advising when it may be time to contact a service technician for routine maintenance.

### Concealed Locking for Clean Appearance

Standard to the system is concealed locking between folding panels that operates with a 180° turn of a flat handle. The top and bottom locking bolts have approximately a 1" (24 mm) throw for maximum security engagement into the head and floor track.

#### Standard and Tested Locking Option on Primary Swing Panels:

1. Multi-point locking operated by lever handles and with European profile cylinder. Locking is independently tested for air, water, structural load performance, and forced entry.

#### Non-standard Commercial Locking Options on Primary Swing Panels (no air, water, or structural load values for primary swing panel):

1. Deadbolt lock(s) and push/pull handles and key/key European profile cylinder on both sides. Only recommended for end swing panel with door closer by others.

#### Standard and Tested Locking Option for Secondary Swing Panels:

1. Concealed edge lock with top and bottom locking bolts have approximately a 1" (24 mm) throw for maximum security engagement into the head and floor track. Locking is independently tested for air, water, structural load performance, and forced entry.

For additional hardware options, contact NanaWall.

## Handles

### Stainless Steel Lever Handles

Stainless steel lever handles and escutcheon plates are available either in brushed satin or black titanium finish.

### Stainless Steel Flat Handles

Stainless steel flat handles are available either in brushed satin or black titanium finish.

### Spring-Loaded Pull Handle

For outswing units with larger panel sizes, a spring-loaded pull handle is supplied for ease of closing the system.

The pull handle is located above the flat handle. When not in use, the handle lays flat against the adjacent panel and is supplied with bumpers to avoid metal-to-metal contact. Handles are either silver or black titanium stainless steel with the attachment to coordinate with the hinge hardware of the system.

### System Sizes

Depending on the desired glazing of the unit, maximum panel sizes range. For double or triple glazed systems, units can reach heights of 9' 10" (3000 mm) and panel widths up to 3' 3" (1000 mm). Unlimited system widths are possible with the addition of unhinged FourFold or SixFold Panel Sets.

### Thermal Efficiency and Glazing Options

A fundamental benefit of this fourth generation folding glass wall is energy efficiency. The solid wood frames also offer the additional insulative and thermal advantage provided by natural wood. Depending on glass type selection, NW Clad 740 offers exceptional thermal performance values as low as ".21". The system comes standard with continuous seals along the face of each panel frame.

The glass pocket can accommodate glass from 1 1/8" (28 mm) to 1 7/8" (48 mm) insulated glass.

### Florida Product Approval

NW Clad 740 for all panel sizes and configurations is Florida statewide approved with Product Approval number FL41108. This approval includes inswing, outswing, and cornerless units.

### Finishes

The aluminum exterior is available in 50 standard powder coat colors and over another 200 optional colors available in powder coat and anodized finishes. Custom-matched colors is also possible.

The interior finish of NW Clad 740 is available in PEFC certified Sapeli Mahogany, Meranti, and European Pine. Other specialty wood options are available upon request. Market availability of quadruple laminated cross-grained wood may differ by wood species. Eco-friendly water-based pre-treatment is applied to each solid wood framed folding system to be field finished by others.

Please request our Wood Finish booklet to review the wood options and for accurate color swatch examples, please request our Powder Coating Finish Options brochure.

## Performance Sill

### NW Clad 740

TYPE OF TEST	INWARD OPENING UNITS		OUTWARD OPENING UNITS	
 <p><b>Air Infiltration</b> <sup>①</sup> ASTM E-283, ft<sup>3</sup>/min./ft. and NFRC 400</p>	@ <b>1.57</b> psf (75 Pa): <b>0.06</b> (0.06 exfiltration) <b>A3</b> <sup>②</sup>		@ <b>1.57</b> psf (75 Pa): <b>0.06</b> (0.06 exfiltration) <b>A3</b> <sup>②</sup>	
	@ <b>6.24</b> psf (300 Pa): <b>0.14</b>		@ <b>6.24</b> psf (300 Pa): <b>0.14</b>	
 <p><b>Water Penetration</b> <sup>①*</sup> ASTM E-547 and E-331</p>	<p><b>No uncontrolled water entry</b> <sup>①</sup> @ <b>9</b> psf (450 Pa)</p> <p>Please contact NanaWall for more information when higher water ratings are necessary.</p>			
 <p><b>Structural Load</b> <sup>①</sup> ASTM E-330: pass <b>See design windload charts for other sized panels</b> <i>Note that the structural test pressures were 50% higher than the design pressures shown.</i></p>	<b>DESIGN PRESSURE</b>		<b>DESIGN PRESSURE</b>	
	Positive @ <b>39</b> psf (1850 Pa)	Negative @ <b>55</b> psf (2670 Pa)	Positive @ <b>55</b> psf (2670 Pa)	Negative @ <b>39</b> psf (1850 Pa)
	Uniform Load Deflection, L/175 @ <b>42</b> psf (2000 Pa)  Class CW-PG35 - FLD 4000 x 2600		Uniform Load Deflection, L/175 @ <b>45</b> psf (2150 Pa)  Class CW-PG35 - FLD 4000 x 2600	
 <p><b>Forced Entry Resistance</b> <sup>①</sup> AAMA-1304</p>	In accordance with AAMA-1304 requirements			
 <p><b>Operating Force</b> <sup>①</sup> ASTM E2068</p>	The NW Clad 740 meets: <ul style="list-style-type: none"> <li>Swing Panel: Open 1 lbf (2.8 N) &amp; Close 1 lbf (3.9 N)</li> <li>Folding Panels: Initiate Motion - Open 4 lbf (20 N) &amp; Close 3 lbf (15 N)</li> <li>Folding Panels: Maintain Motion - Open 1 lbf (3 N) &amp; Close 1 lbf (4 N)</li> </ul>			
 <p><b>Operation / Cycling Performance</b> AAMA 920 &amp; DIN EN 1191 Windows and Pedestrian Doors - Mechanical Durability</p>	The NW Clad 740 meets: <ul style="list-style-type: none"> <li>"AAMA 920" requirement for swing panel attached to side jamb: 500,000 cycles - Pass</li> <li>German "DIN EN 1191/12400 Classification," where a unit is tested after 20,000 opening and closing cycles and is still functional</li> </ul>			

① Excerpts of results of 13' 1" W x 8' 6" H (4000 mm x 2600 mm) 4 panel unit (1L3R configuration) specific or equivalent to lab tested by Intertek Building & Construction, an independent testing laboratory in March 2020 per AAMA/WDMA/CSA 101/IS.2/A440-17, NAFS-17 - North American Fenestration Standard

② For Canada, tested to NAFS-17 or equivalent and CSA A44051-09 (for drainage of standing water, weep hole in sill by others).

\* Water rating may not be applicable for configuration not tested, especially even panels plus even panels configurations.



**Thermal Performance**

NW Clad 740 <sup>③</sup> - Rated, certified, and labeled in accordance with NFRC 100 + 200

TYPE OF GLASS (1 LITE) <sup>④</sup>	CENTER OF GLASS U-FACTOR	INWARD OPENING UNITS				OUTWARD OPENING UNITS			
		UNIT U-FACTOR	SHGC <sup>⑤</sup>	VT <sup>⑥</sup>	2015 ENERGY STAR	UNIT U-FACTOR	SHGC <sup>⑤</sup>	VT <sup>⑥</sup>	2015 ENERGY STAR
Double IG Clear (air filled)	.48	.44	.50	.53	-	.45	.50	.53	-
Double IG Standard Low E (argon filled)	.25	.29	.23	.46	*	.30	.23	.46	*
Double IG Standard Low E (air filled)	.30	.33	.23	.46	-	.33	.23	.46	-
Triple IG Low E x 2 (argon filled)	.12	.20	.19	.36	*	.20	.19	.36	*
Triple IG Low E x 2 (air filled)	.15	.22	.19	.36	*	.23	.19	.36	*
Double IG Alternate Higher SHGC Low E (argon filled)	.25	.29	.32	.47	**	.30	.32	.47	**
Double IG Alternate Higher SHGC Low E (air filled)	.29	.33	.32	.47	-	.33	.32	.47	-

**NOTES**

③ U-Factor, SHGC, & VT for NW Clad 740 system unhinged panels will be about the same except in some cases variations of +/- .01 from what is shown.

④ NFRC simulated U-factors of units with a horizontal mullion will have values of about .01 to .02 higher than units with no horizontal mullion. Please contact NanaWall for details.




⑤ SHGC = Solar Heat Gain Coefficient  
⑥ VT = Visible Transmittance

\* 2015 Energy Star Qualification Criteria: U-Factor for doors in all climate zones ≤.30, SHGC ≤.25 in South/South Central zones, and ≤.40 in North/North Central zones. (For guidance only. NanaWall is not a participant of the Energy Star program.)

\*\* Meets SHGC Energy Star Qualification criteria for North/North Central zones only.

Shown above are thermal values for select glass options only. Thermal values for many other glass options are available. These may be able to meet specific requirements, such as Energy Star values for other zones, CA Title 24 prescriptive values, other state and local energy codes, etc. Thermal values for glass with other Low E coatings and Suntuitive dynamic glass are available. Please contact NanaWall for more information.

## Low Profile Saddle Sill NW Clad 740

TYPE OF TEST	INWARD OPENING UNITS	OUTWARD OPENING UNITS
 <b>Air Infiltration</b> <sup>①</sup> ASTM E-283, ft <sup>3</sup> /min./ft. and NFRC 400	@ <b>1.57</b> psf (75 Pa): <b>0.12</b> (0.12 exfiltration) <b>A2</b> <sup>②</sup>	@ <b>1.57</b> psf (75 Pa): <b>0.12</b> (0.12 exfiltration) <b>A2</b> <sup>②</sup>
	@ <b>6.24</b> psf (300 Pa): <b>0.29</b>	@ <b>6.24</b> psf (300 Pa): <b>0.30</b>
 <b>Water Penetration</b> <sup>①*</sup> ASTM E-547 and E-331	<b>No uncontrolled water entry</b> <sup>①</sup> @ <b>5.43</b> psf (260 Pa)	
	Subject to the following adaptations of the sill in the field by others; <ol style="list-style-type: none"> <li>1. Remove the gaskets covering the inner channel.</li> <li>2. Drill weep holes through the bottom of the channel and drill weep holes from the middle channel to the exterior bottom hollow in sill (about one 5/16" weep hole per panel).</li> <li>3. Drill weep holes through the lower front face of sill to the inner channel bottom (3/8" weep hole per panel).</li> </ol> Please note that due to the varying site requirements and conditions, these sills will not be prepared for drainage by NanaWall. If this drainage system is desired, we recommend that qualified professionals construct this system on the project site strictly in accordance with instructions provided by NanaWall and in accordance with good waterproofing techniques, if drain connections are not made or not possible, unit may leak with wind driven rain.	
 <b>Structural Load</b> <sup>①</sup> ASTM E-330: pass See design windload charts for other sized panels <i>Note that the structural test pressures were 50% higher than the design pressures shown.</i>	<b>DESIGN PRESSURE</b> Positive @ <b>40</b> psf (1945 Pa)	<b>DESIGN PRESSURE</b> Negative @ <b>45</b> psf (2150 Pa)
	Uniform Load Deflection, L/175 @ <b>45</b> psf (2150 Pa) Class CW-PG35 - FLD 4000 x 2600	Positive @ <b>45</b> psf (2150 Pa)
		Negative @ <b>40</b> psf (1945 Pa)
		Uniform Load Deflection, L/175 @ <b>45</b> psf (2150 Pa) Class CW-PG35 - FLD 4000 x 2600
 <b>Forced Entry Resistance</b> <sup>①</sup> AAMA-1304	In accordance with AAMA-1304 requirements	
 <b>Operating Force</b> <sup>①</sup> ASTM E2068	The NW Clad 740 meets: <ul style="list-style-type: none"> <li>• Swing Panel: Open 1 lbf (2.8 N) &amp; Close 1 lbf (3.9 N)</li> <li>• Folding Panels: Initiate Motion - Open 4 lbf (20 N) &amp; Close 3 lbf (15 N)</li> <li>• Folding Panels: Maintain Motion - Open 1 lbf (3 N) &amp; Close 1 lbf (4 N)</li> </ul>	
 <b>Operation / Cycling Performance</b> AAMA 920 & DIN EN 1191 Windows and Pedestrian Doors - Mechanical Durability	The NW Clad 740 meets: <ul style="list-style-type: none"> <li>• "AAMA 920" requirement for swing panel attached to side jamb: 500,000 cycles - Pass</li> <li>• German "DIN EN 1191/12400 Classification," where a unit is tested after 20,000 opening and closing cycles and is still functional</li> </ul>	

① Excerpts of results of 13' 1" W x 8' 6" H (4000 mm x 2600 mm) 4 panel unit (1L3R configuration) specific or equivalent to lab tested by Intertek Building & Construction, an independent testing laboratory in March 2020 per AAMA/WDMA/CSA 101/LS.2/A440-17, NAFS-17 - North American Fenestration Standard

② For Canada, tested to NAFS-17 or equivalent and CSA A44051-09 (for drainage of standing water, weep hole in sill by others).

\* Water rating may not be applicable for configuration not tested, especially even panels plus even panels configurations.



**Thermal Performance**

NW Clad 740<sup>③</sup> - Rated, certified, and labeled in accordance with NFRC 100 + 200

TYPE OF GLASS (1 LITE) <sup>④</sup>	CENTER OF GLASS U-FACTOR	INWARD OPENING UNITS				OUTWARD OPENING UNITS			
		UNIT U-FACTOR	SHGC <sup>⑤</sup>	VT <sup>⑥</sup>	2015 ENERGY STAR	UNIT U-FACTOR	SHGC <sup>⑤</sup>	VT <sup>⑥</sup>	2015 ENERGY STAR
Double IG Clear (air filled)	.48	.45	.50	.53	-	.45	.50	.53	-
Double IG Standard Low E (argon filled)	.25	.30	.23	.46	*	.30	.23	.46	*
Double IG Standard Low E (air filled)	.30	.33	.23	.46	-	.33	.23	.46	-
Triple IG Low E x 2 (argon filled)	.12	.21	.19	.36	*	.21	.19	.36	*
Triple IG Low E x 2 (air filled)	.15	.23	.19	.36	*	.23	.19	.36	*
Double IG Alternate Higher SHGC Low E (argon filled)	.25	.30	.32	.47	**	.30	.32	.47	**
Double IG Alternate Higher SHGC Low E (air filled)	.29	.33	.32	.47	-	.33	.32	.47	-

**NOTES**

③ U-Factor, SHGC, & VT for NW Clad 740 system unHINGED panels will be about the same except in some cases variations of +/- .01 from what is shown.

④ NFRC simulated U-factors of units with a horizontal mullion will have values of about .01 to .02 higher than units with no horizontal mullion. Please contact NanaWall for details.

⑤ SHGC = Solar Heat Gain Coefficient  
⑥ VT = Visible Transmittance

\* 2015 Energy Star Qualification Criteria: U-Factor for doors in all climate zones ≤.30, SHGC ≤.25 in South/South Central zones, and ≤.40 in North/North Central zones. (For guidance only. NanaWall is not a participant of the Energy Star program.)

\*\* Meets SHGC Energy Star Qualification criteria for North/North Central zones only.

Shown above are thermal values for select glass options only. Thermal values for many other glass options are available. These may be able to meet specific requirements, such as Energy Star values for other zones, CA Title 24 prescriptive values, other state and local energy codes, etc. Thermal values for glass with other Low E coatings and Suntuitive dynamic glass are available. Please contact NanaWall for more information.



## Low Profile Saddle Sill with UniverSILL® NW Clad 740

TYPE OF TEST	OUTWARD OPENING UNITS		
 <b>Air Infiltration</b> <sup>①</sup> ASTM E-283, ft <sup>3</sup> /min./ft. and NFRC 400	@ <b>1.57</b> psf (75 Pa): <b>0.04</b> (0.02 exfiltration) <b>A3</b> <sup>②</sup> <hr/> @ <b>6.24</b> psf (300 Pa): <b>0.07</b>		
 <b>Water Penetration</b> <sup>①*</sup> ASTM E-547 and E-331	<b>No uncontrolled water entry</b> <sup>①</sup> @ <b>7.5</b> psf (360 Pa)  UniverSILL transforms Low Profile Saddle sill to obtain a better water rating when needed and to be easily removed when not required. To meet a water rating with the UniverSILL, the following needs to be done in the field by others: <ol style="list-style-type: none"> <li>1. Weepholes and drainage as described for the low profile saddle sill (minimum needed are weepholes from the middle channel).</li> <li>2. Remove the gasket covering the inner channel and insert the UniverSILL.</li> <li>3. Seals at ends at the side jambs.</li> </ol>		
 <b>Structural Load</b> <sup>①</sup> ASTM E-330: pass <b>See design windload charts for other sized panels</b> <i>Note that the structural test pressures were 50% higher than the design pressures shown.</i>	<b>DESIGN PRESSURE</b> <table border="1" style="width: 100%; border-collapse: collapse;"> <tr> <td style="text-align: center; padding: 5px;">                     Positive                      @ <b>45</b> psf                      (2150 Pa)                 </td> <td style="text-align: center; padding: 5px;">                     Negative                      @ <b>40</b> psf                      (1945 Pa)                 </td> </tr> </table> Uniform Load Deflection, L/175 @ <b>45</b> psf (2150 Pa)  Class CW-PG40 - FLD 4000 x 2600	Positive @ <b>45</b> psf (2150 Pa)	Negative @ <b>40</b> psf (1945 Pa)
Positive @ <b>45</b> psf (2150 Pa)	Negative @ <b>40</b> psf (1945 Pa)		
 <b>Forced Entry Resistance</b> <sup>①</sup> AAMA-1304	In accordance with AAMA-1304 requirements		
 <b>Operating Force</b> <sup>①</sup> ASTM E2068	The NW Clad 740 meets: <ul style="list-style-type: none"> <li>Swing Panel: Open 1 lbf (2.8 N) &amp; Close 1 lbf (3.9 N)</li> <li>Folding Panels: Initiate Motion - Open 4 lbf (20 N) &amp; Close 3 lbf (15 N)</li> <li>Folding Panels: Maintain Motion - Open 1 lbf (3 N) &amp; Close 1 lbf (4 N)</li> </ul>		
 <b>Operation / Cycling Performance</b> AAMA 920 & DIN EN 1191 Windows and Pedestrian Doors - Mechanical Durability	The NW Clad 740 meets: <ul style="list-style-type: none"> <li>"AAMA 920" requirement for swing panel attached to side jamb: 500,000 cycles - Pass</li> <li>German "DIN EN 1191/12400 Classification," where a unit is tested after 20,000 opening and closing cycles and is still functional</li> </ul>		

① Excerpts of results of 13' 1" W x 8' 6" H (4000 mm x 2600 mm) 4 panel unit (1L3R configuration) specific or equivalent to lab tested by Intertek Building & Construction, an independent testing laboratory in March 2020 per AAMA/WDMA/CSA 101/IS.2/A440-17, NAFS-17 - North American Fenestration Standard

② For Canada, tested to NAFS-17 or equivalent and CSA A44051-09 (for drainage of standing water, weep hole in sill by others).

\* Water rating may not be applicable for configuration not tested, especially even panels plus even panels configurations.



**Thermal Performance**

NW Clad 740<sup>③</sup> - Rated, certified, and labeled in accordance with NFRC 100 + 200

		OUTWARD OPENING UNITS			
TYPE OF GLASS (1 LITE) <sup>④</sup>	CENTER OF GLASS U-FACTOR	UNIT U-FACTOR	SHGC <sup>⑤</sup>	VT <sup>⑥</sup>	2015 ENERGY STAR
Double IG Clear (air filled)	.48	.45	.50	.53	-
Double IG Standard Low E (argon filled)	.25	.30	.23	.46	*
Double IG Standard Low E (air filled)	.30	.33	.23	.46	-
Triple IG Low E x 2 (argon filled)	.12	.21	.19	.36	*
Triple IG Low E x 2 (air filled)	.15	.23	.19	.36	*
Double IG Alternate Higher SHGC Low E (argon filled)	.25	.30	.32	.47	**
Double IG Alternate Higher SHGC Low E (air filled)	.29	.33	.32	.47	-

**NOTES**

③ U-Factor, SHGC, & VT for NW Clad 740 system unhinged panels will be about the same except in some cases variations of +/- .01 from what is shown.

④ NFRC simulated U-factors of units with a horizontal mullion will have values of about .01 to .02 higher than units with no horizontal mullion. Please contact NanaWall for details.

⑤ SHGC = Solar Heat Gain Coefficient  
⑥ VT = Visible Transmittance

\* 2015 Energy Star Qualification Criteria: U-Factor for doors in all climate zones ≤.30, SHGC ≤.25 in South/South Central zones, and ≤.40 in North/North Central zones. (For guidance only. NanaWall is not a participant of the Energy Star program.)

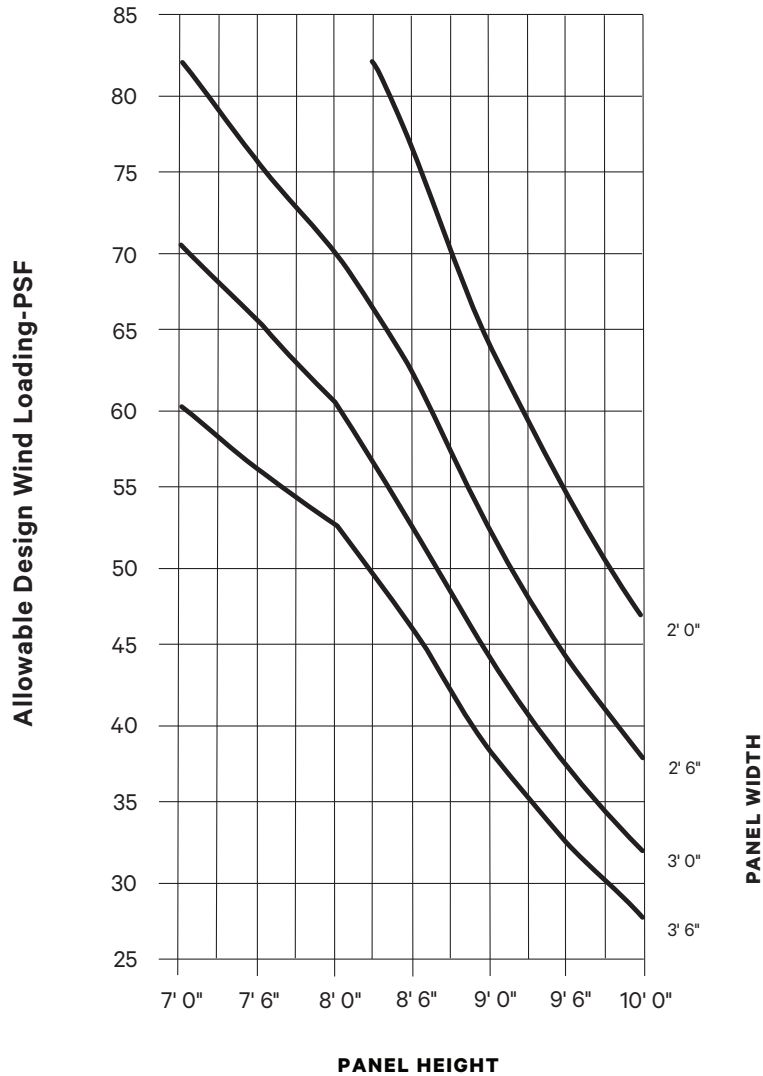
\*\* Meets SHGC Energy Star Qualification criteria for North/North Central zones only.

Shown above are thermal values for select glass options only. Thermal values for many other glass options are available. These may be able to meet specific requirements, such as Energy Star values for other zones, CA Title 24 prescriptive values, other state and local energy codes, etc. Thermal values for glass with other Low E coatings and Suntuitive dynamic glass are available. Please contact NanaWall for more information.

## Design Windload Chart | NW Clad 740

**Applies to Negative Design Pressure for Inswing Units with the Performance Sill  
and Positive Design Pressure for Outswing Units with the Performance Sill**

(In Accordance with Allowable Stress Design (ASD) Design Pressures\*)



**Any Custom Size is Possible. See Maximum Frame Size Chart for Possible Sizes.**

(Derived from Comparative Analysis) Test Panel Size: 3' 3" W x 8' 2" H.

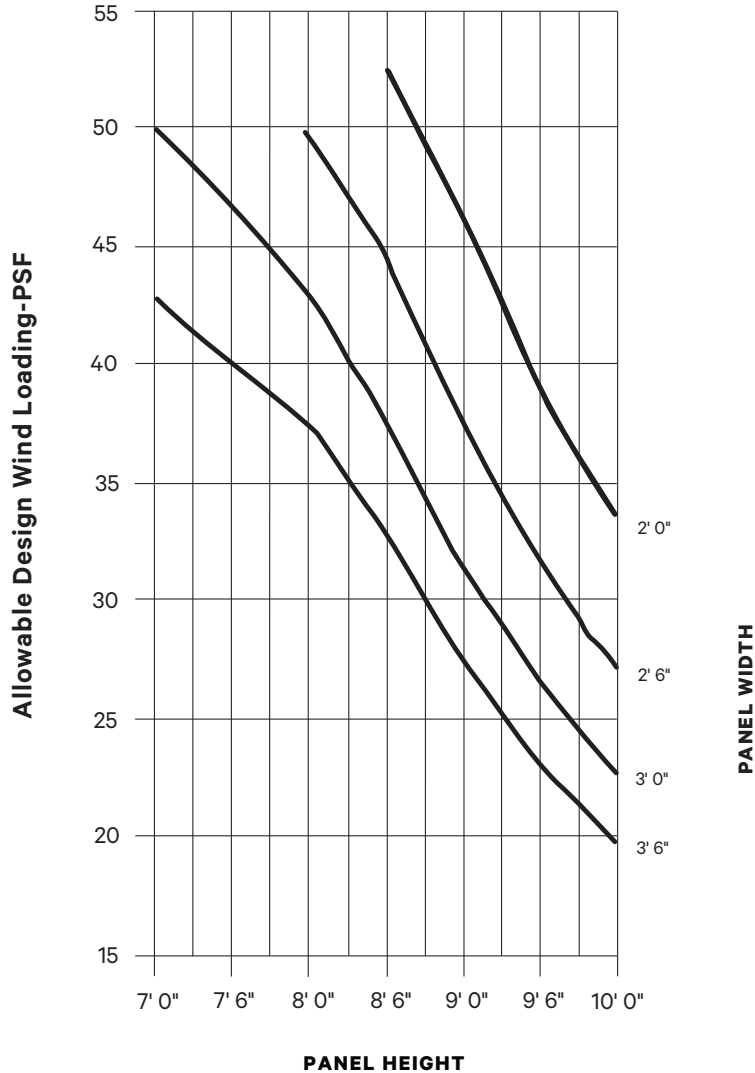
Please note that some jurisdictions may limit the use of these charts or may not accept them at all. Design pressures and/or sizes may be restricted to what was tested. These charts are also not restricted by any water ratings or deflection limitations. For Florida approval products, please see the FL Evaluation Report and Installation Instructions for restrictions. This chart is only applicable for units with standard NanaWall supplied locking.

\* If the project design pressures have been calculated in accordance with Ultimate Design Wind Speed (ULT), then these design pressures have to be multiplied by a factor of 0.6 to obtain the equivalent ASD design pressures shown in this chart.

## Design Windload Chart | NW Clad 740

**Applies to Positive Design Pressure for Inswing Units with the Performance Sill and Negative Design Pressure for Outswing Units with the Performance Sill**

(In Accordance with Allowable Stress Design (ASD) Design Pressures\*)



**Any Custom Size is Possible. See Maximum Frame Size Chart for Possible Sizes.**

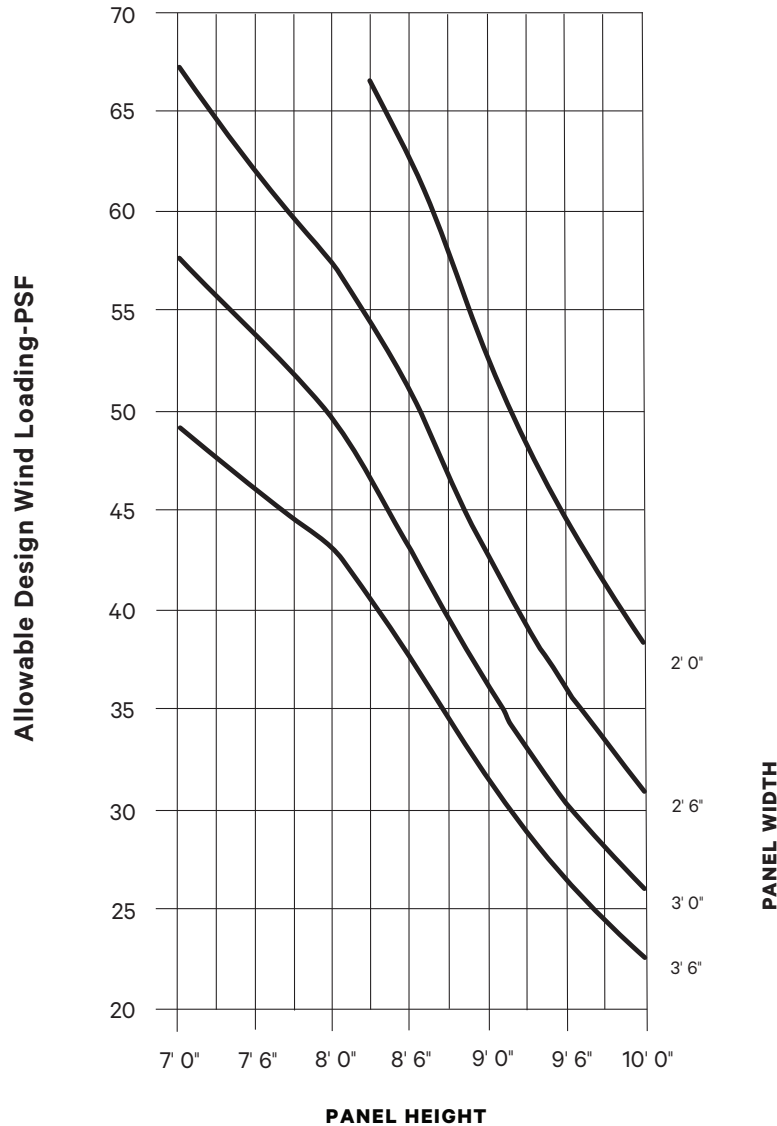
(Derived from Comparative Analysis) Test Panel Size: 3' 3" W x 8' 2" H.  
 Please note that some jurisdictions may limit the use of these charts or may not accept them at all. Design pressures and/or sizes may be restricted to what was tested. These charts are also not restricted by any water ratings or deflection limitations. For Florida approval products, please see the FL Evaluation Report and Installation Instructions for restrictions. This chart is only applicable for units with standard NanaWall supplied locking.

\* If the project design pressures have been calculated in accordance with Ultimate Design Wind Speed (ULT), then these design pressures have to be multiplied by a factor of 0.6 to obtain the equivalent ASD design pressures shown in this chart.

## Design Windload Chart | NW Clad 740

**Applies to Negative Design Pressure for Inswing Units and Positive Design Pressure for Outswing Units with the Low Profile Saddle Sill**

**(In Accordance with Allowable Stress Design (ASD) Design Pressures\*)**



**Any Custom Size is Possible. See Maximum Frame Size Chart for Possible Sizes.**

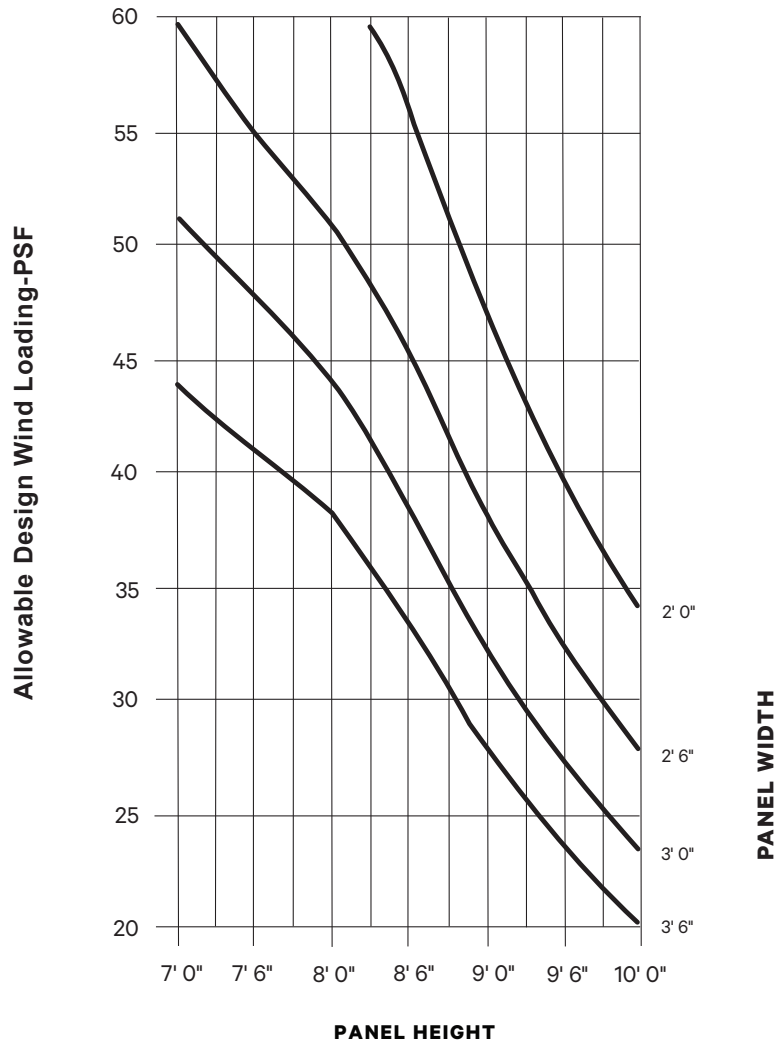
(Derived from Comparative Analysis) Test Panel Size: 3' 3" W x 8' 2" H.

Please note that some jurisdictions may limit the use of these charts or may not accept them at all. Design pressures and/or sizes may be restricted to what was tested. These charts are also not restricted by any water ratings or deflection limitations. For Florida approval products, please see the FL Evaluation Report and Installation Instructions for restrictions. This chart is only applicable for units with standard NanaWall supplied locking.

\* If the project design pressures have been calculated in accordance with Ultimate Design Wind Speed (ULT), then these design pressures have to be multiplied by a factor of 0.6 to obtain the equivalent ASD design pressures shown in this chart.

## Design Windload Chart | NW Clad 740

**Applies to Positive Design Pressure for Inswing Units and  
Negative Design Pressure for Outswing Units with the Low Profile Saddle Sill  
(In Accordance with Allowable Stress Design (ASD) Design Pressures\*)**



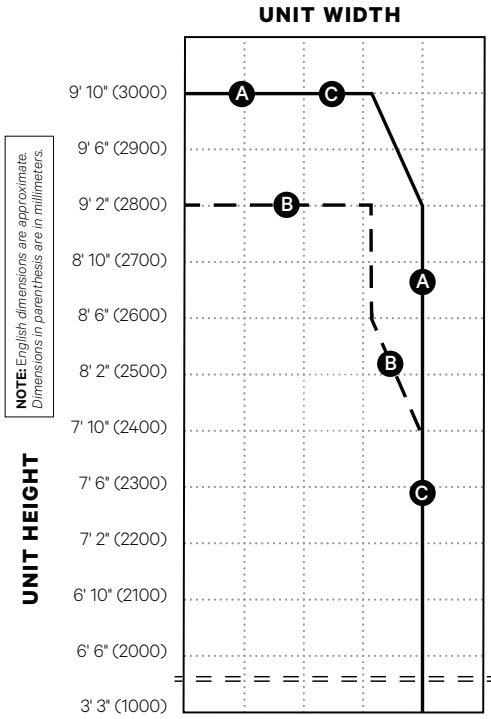
**Any Custom Size is Possible. See Maximum Frame Size Chart for Possible Sizes.**

(Derived from Comparative Analysis) Test Panel Size: 3' 3" W x 8' 2" H.

Please note that some jurisdictions may limit the use of these charts or may not accept them at all. Design pressures and/or sizes may be restricted to what was tested. These charts are also not restricted by any water ratings or deflection limitations. For Florida approval products, please see the FL Evaluation Report and Installation Instructions for restrictions. This chart is only applicable for units with standard NanaWall supplied locking.

\* If the project design pressures have been calculated in accordance with Ultimate Design Wind Speed (ULT), then these design pressures have to be multiplied by a factor of 0.6 to obtain the equivalent ASD design pressures shown in this chart.

# Maximum Size Chart NW Clad 740 (Double Glazed)



Number of Panels in Unit	UNIT WIDTH				
	1' 11" (600)	2' 3" (700)	2' 7" (800)	2' 11" (900)	3' 3" (1000)
2	3' 11" (1200)	4' 7" (1400)	5' 3" (1600)	5' 10" (1800)	6' 6" (2000)
3	5' 10" (1800)	6' 10" (2100)	7' 10" (2400)	8' 10" (2700)	9' 10" (3000)
4	7' 10" (2400)	9' 2" (2800)	10' 6" (3200)	11' 9" (3600)	13' 1" (4000)
5	9' 10" (3000)	11' 5" (3500)	13' 1" (4000)	14' 9" (4500)	16' 4" (5000)
6	11' 9" (3600)	13' 10" (4200)	15' 8" (4800)	17' 8" (5400)	19' 8" (6000)
7	13' 10" (4200)	16' 0" (4900)	18' 4" (5600)	20' 8" (6300)	22' 10" (7000)
8	15' 8" (4800)	18' 4" (5600)	20' 11" (6400)	23' 7" (7200)	26' 1" (8000)
9	17' 9" (5400)	20' 7" (6300)	23' 6" (7200)	26' 6" (8100)	29' 4" (9000)
10	19' 8" (6000)	22' 10" (7000)	26' 1" (8000)	29' 6" (9000)	32' 9" (10000)
11	21' 7" (6600)	25' 1" (7700)	28' 8" (8800)	32' 5" (9900)	36' 1" (11000)
12	23' 6" (7200)	27' 4" (8400)	31' 5" (9600)	35' 5" (10800)	39' 4" (12000)

**Frame Width of Unit**  
(Wider widths possible with addition of Panel Sets.)

Any Custom Size is Possible Up to the Maximum Size Limit Lines Shown

**MAXIMUM SIZE LIMIT LINE OF:**

**A CONFIGURATIONS** ———  
(Swing panel hinged at jamb only.)

**Standard Configurations:**

1L	1L 1R	1L 4R	2L 1R	4L 1R	6L 1R
1R	1L 2R	1L 6R			

**Sample Configurations with Unhinged FourFold or SixFold Panel Sets:**

1L 4L/R	1L 6L/R 1R	4L/R 1R
---------	------------	---------

Addition of Panel Sets to all A Configurations possible.

**C CONFIGURATIONS** ———  
(No swing panels.)

**Standard Configurations:**

2L	4L	6L	2L 2R	4L 2R	6L 2R
2R	4R	6R	2L 4R	4L 4R	6L 4R
			2L 6R	4L 6R	6L 6R

**Sample Configurations with Unhinged FourFold or SixFold Panel Sets:**

2L 4L/R	4L/R 4R	6L 6L/R	4L/R 4L/R	6L/R 4L/R
---------	---------	---------	-----------	-----------

Addition of Panel Sets to all C Configurations possible.

**B CONFIGURATIONS** - - -  
(Swing panel as part of odd number of panels to one side.)

**Standard Configurations:**

3L	5L	1L 3R	3L 2R	5L 1R	4L 3R	5L 3R	5L 4R	5L 6R
3R	5R	3L 1R	3L 3R	2L 5R	5L 2R	3L 6R	6L 3R	6L 5R
		2L 3R	1L 5R	3L 4R	3L 5R	4L 5R	5L 5R	

**Sample Configurations with Unhinged FourFold or SixFold Panel Sets:**

3L 4L/R	3L 6L/R	3L 4L/R 3R
---------	---------	------------

Addition of Panel Sets to all B Configurations possible.

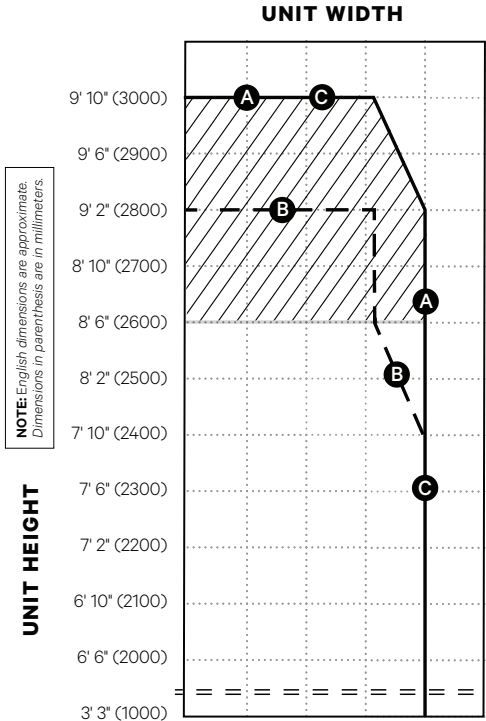
**GLAZING**

- Total Glass thicknesses from 1 1/8" (28 mm) to 1 7/8" (48 mm) can be accommodated.
- Maximum size chart is based on maximum glass weight of 30 kg/m<sup>2</sup> (6 lbs/ft<sup>2</sup>).
- Dry glazing system.

**NOTES**

- Max. panel width swing panel attached to side jamb 3' 3" (1000 mm).
- Min. panel width 31 1/2" (800 mm) for paired panels hinged to side jamb.
- Min. panel width 25 5/8" (650 mm) for Panel Sets 4L/R, 6L/R.
- Max. number of hinged panels to one side is 6.
- No limitation on number of unhinged panel sets in a unit. Additional adequate structural lateral support by others where panels stack.
- Configurations with even panels meeting even panels, including panel sets, provide lower weather resistant results from tested units.
- For other configurations contact NanaWall.

# Maximum Size Chart NW Clad 740 (Triple Glazed)



NOTE: English dimensions are approximate. Dimensions in parentheses are in millimeters.

UNIT HEIGHT

UNIT WIDTH

Number of Panels in Unit

1	1' 11" (600)	2' 3" (700)	2' 7" (800)	2' 11" (900)	3' 3" (1000)
2	3' 11" (1200)	4' 7" (1400)	5' 3" (1600)	5' 10" (1800)	6' 6" (2000)
3	5' 10" (1800)	6' 10" (2100)	7' 10" (2400)	8' 10" (2700)	9' 10" (3000)
4	7' 10" (2400)	9' 2" (2800)	10' 6" (3200)	11' 9" (3600)	13' 1" (4000)
5	9' 10" (3000)	11' 5" (3500)	13' 1" (4000)	14' 9" (4500)	16' 4" (5000)
6	11' 9" (3600)	13' 10" (4200)	15' 8" (4800)	17' 8" (5400)	19' 8" (6000)
7	13' 10" (4200)	16' 0" (4900)	18' 4" (5600)	20' 8" (6300)	22' 10" (7000)
8	15' 8" (4800)	18' 4" (5600)	20' 11" (6400)	23' 7" (7200)	26' 1" (8000)
9	17' 9" (5400)	20' 7" (6300)	23' 6" (7200)	26' 6" (8100)	29' 4" (9000)
10	19' 8" (6000)	22' 10" (7000)	26' 1" (8000)	29' 6" (9000)	32' 9" (10000)
11	21' 7" (6600)	25' 1" (7700)	28' 8" (8800)	32' 5" (9900)	36' 1" (11000)
12	23' 6" (7200)	27' 4" (8400)	31' 5" (9600)	35' 5" (10800)	39' 4" (12000)

Frame Width of Unit

(Wider widths possible with addition of Panel Sets.)

Any Custom Size is Possible Up to the Maximum Size Limit Lines Shown

**MAXIMUM SIZE LIMIT LINE OF:**

**A CONFIGURATIONS** ———

(Swing panel hinged at jamb only.)

**Standard Configurations:**

1L	1L 1R	1L 4R	2L 1R	4L 1R	6L 1R
1R	1L 2R	1L 6R			

**Sample Configurations with Unhinged FourFold or SixFold Panel Sets:**

1L 4L/R	1L 6L/R 1R	4L/R 1R
---------	------------	---------

Addition of Panel Sets to all A Configurations possible.

**C CONFIGURATIONS** ———

(No swing panels.)

**Standard Configurations:**

2L	4L	6L	2L 2R	4L 2R	6L 2R
2R	4R	6R	2L 4R	4L 4R	6L 4R
			2L 6R	4L 6R	6L 6R

**Sample Configurations with Unhinged FourFold or SixFold Panel Sets:**

2L 4L/R	4L/R 4R	6L 6L/R	4L/R 4L/R	6L/R 4L/R
---------	---------	---------	-----------	-----------

Addition of Panel Sets to all C Configurations possible.

**B CONFIGURATIONS** - - -

(Swing panel as part of odd number of panels to one side.)

**Standard Configurations:**

3L	5L	1L 3R	3L 2R	5L 1R	4L 3R	3L 6R	6L 3R	5L 6R
3R	5R	3L 1R	3L 3R	2L 5R	5L 2R	4L 5R	5L 3R	6L 5R
		2L 3R	1L 5R	3L 4R	3L 5R	5L 4R	5L 5R	

**Sample Configurations with Unhinged FourFold or SixFold Panel Sets:**

3L 4L/R	3L 6L/R	3L 4L/R 3R
---------	---------	------------

Addition of Panel Sets to all B Configurations possible.



Horizontal mullion required for unit height taller than 8' 6" (2600 mm) such that no glass pane is more than 7' 10" (2400 mm) tall.

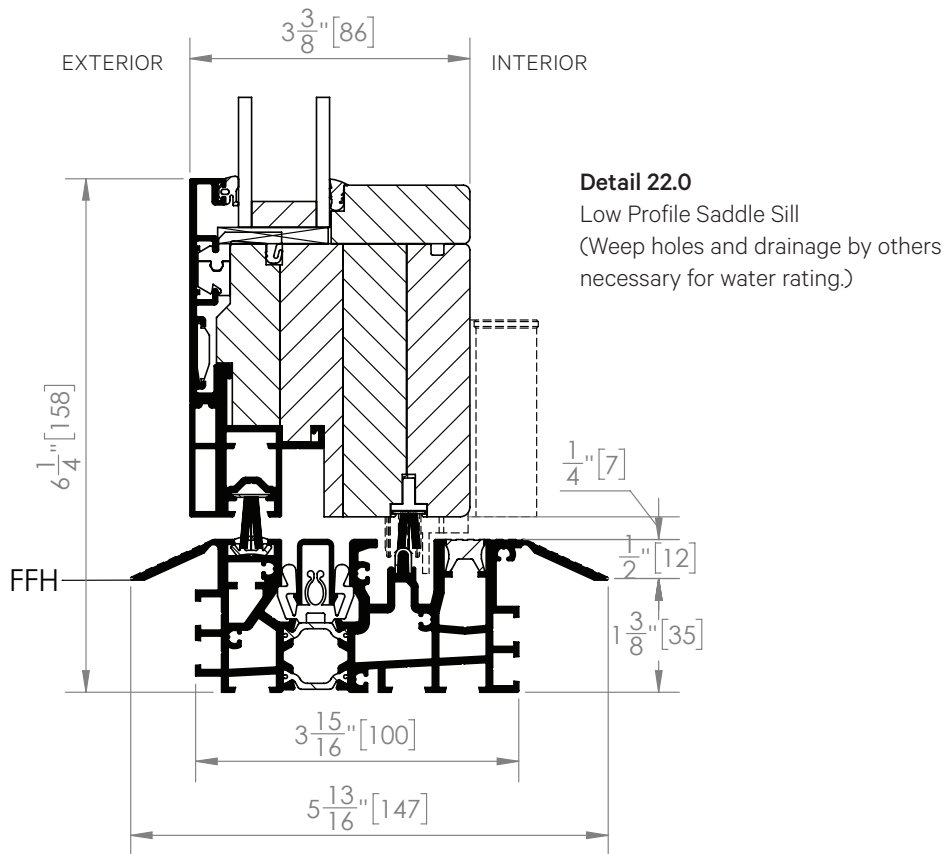
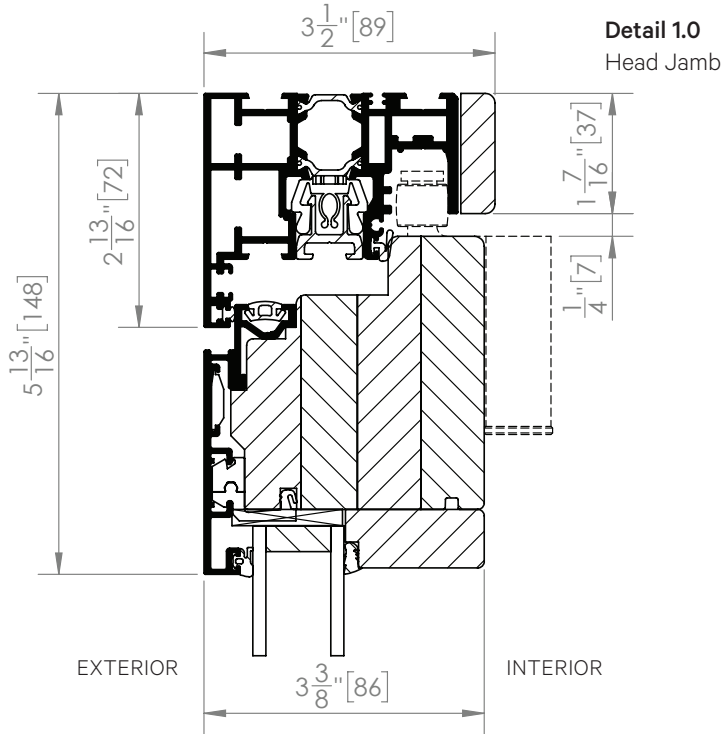
**GLAZING**

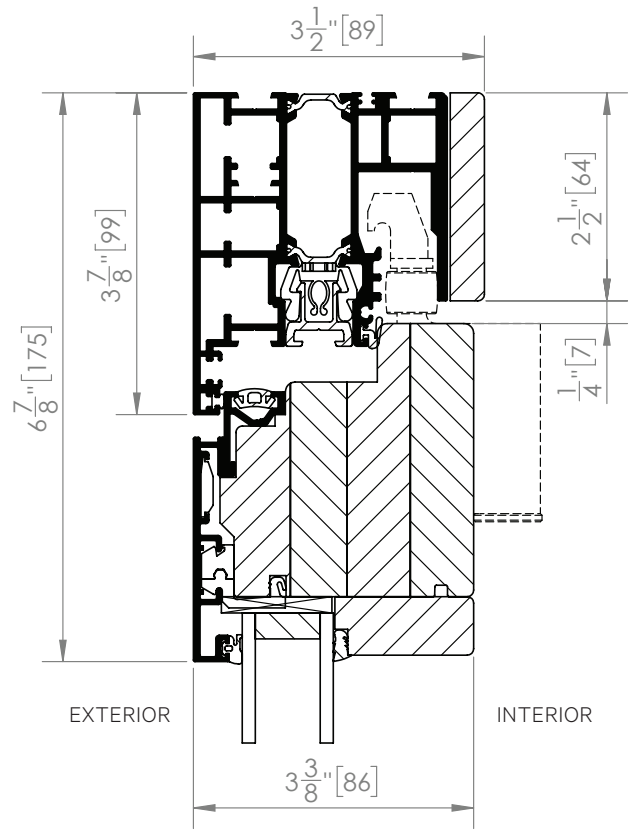
- Glass thicknesses from 1 7/16" (36 mm) to 1 7/8" (48 mm) can be accommodated.
- Maximum size chart is based on maximum glass weight of 30 kg/m<sup>2</sup> (6 lbs/ft<sup>2</sup>).
- Dry glazing system.

**NOTES**

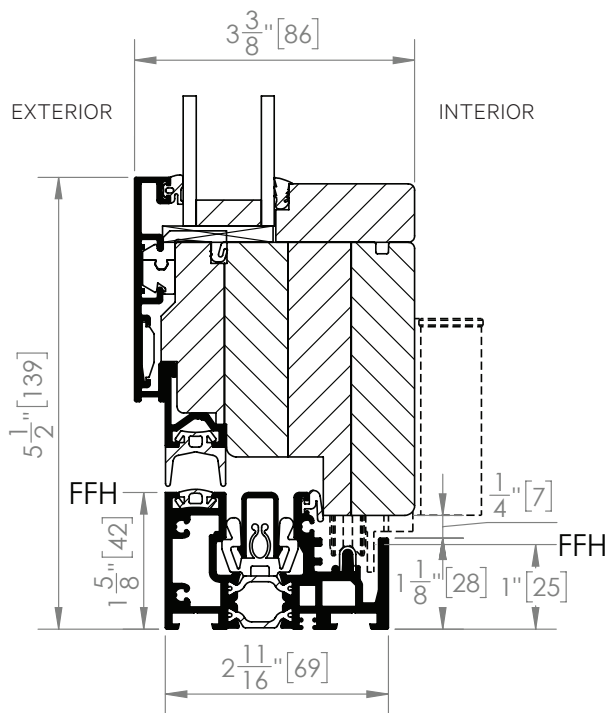
- Max. panel width swing panel attached to side jamb 3' 3" (1000 mm).
- Min. panel width 31 1/2" (800 mm) for paired panels hinged to side jamb.
- Min. panel width 25 5/8" (650 mm) for Panel Sets 4L/R, 6L/R.
- Max. number of hinged panels to one side is 6.
- No limitation on number of unhinged panel sets in a unit. Additional adequate structural lateral support by others where panels stack.
- Configurations with even panels meeting even panels, including panel sets, provide lower weather resistant results from tested units.
- For other configurations, contact NanaWall.



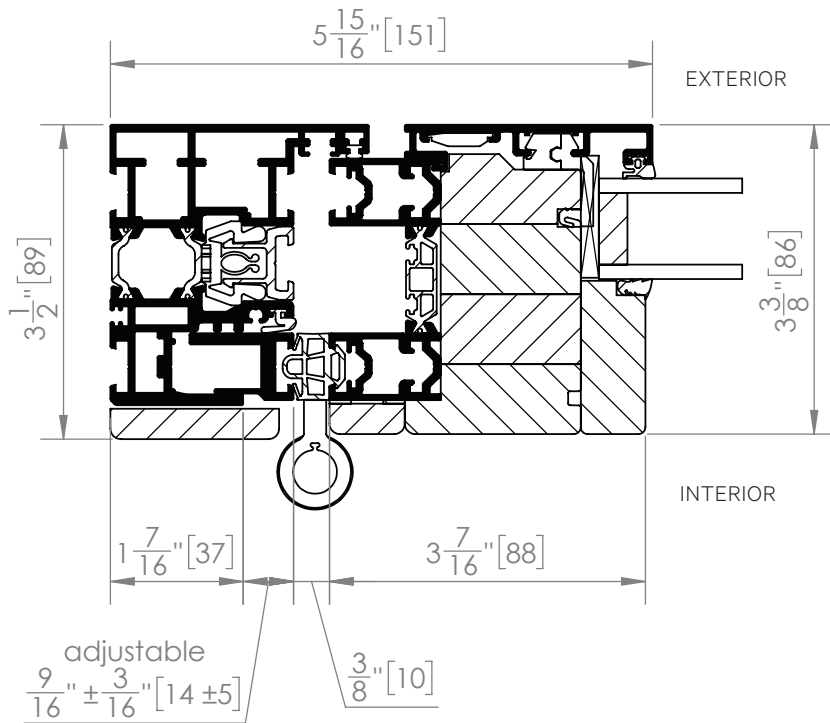




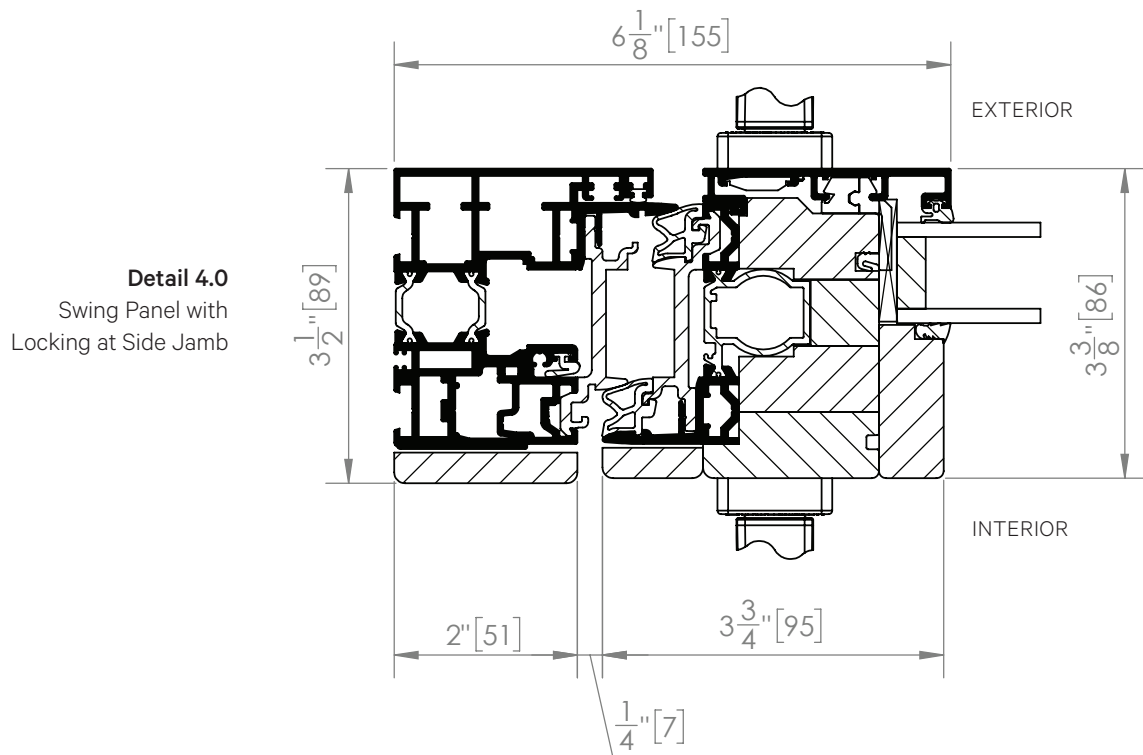
**Detail 12.0**  
Head Jamb for  
UnHINGED Panel Sets



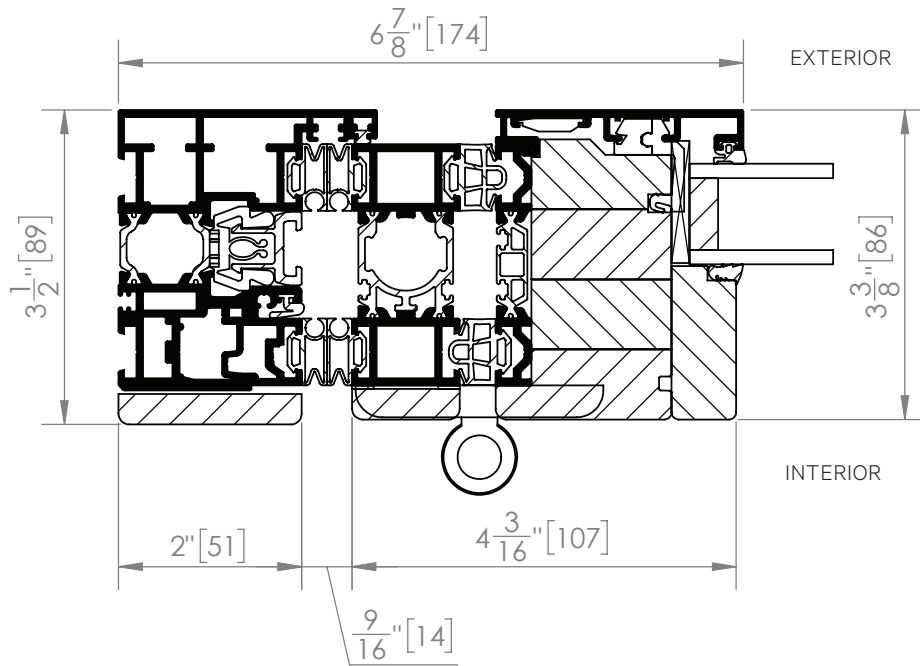
**Detail 2.0**  
Performance Sill  
(Proper drainage  
by others of water  
exiting sill weep slots  
necessary.)



**Detail 3.0**  
 Panel Hinged to Side Jamb



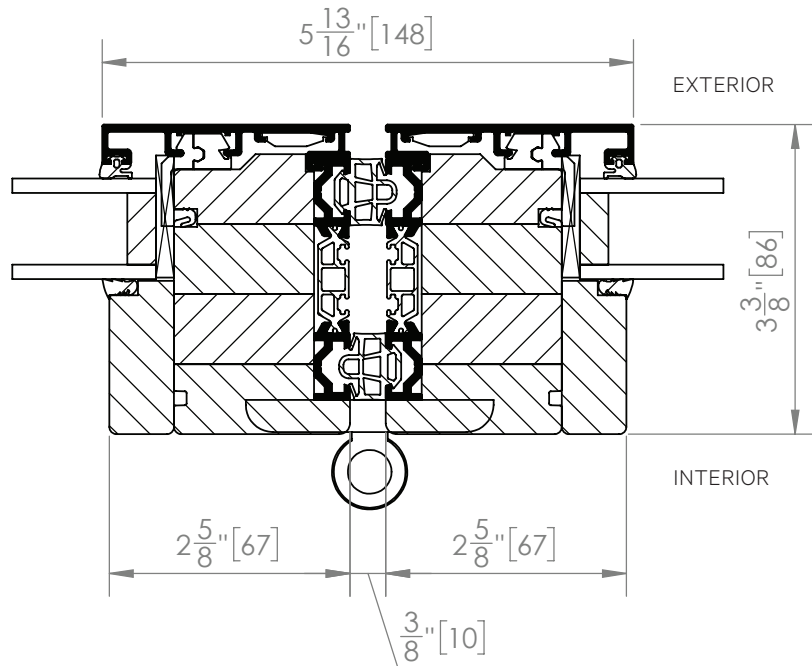
**Detail 4.0**  
 Swing Panel with  
 Locking at Side Jamb

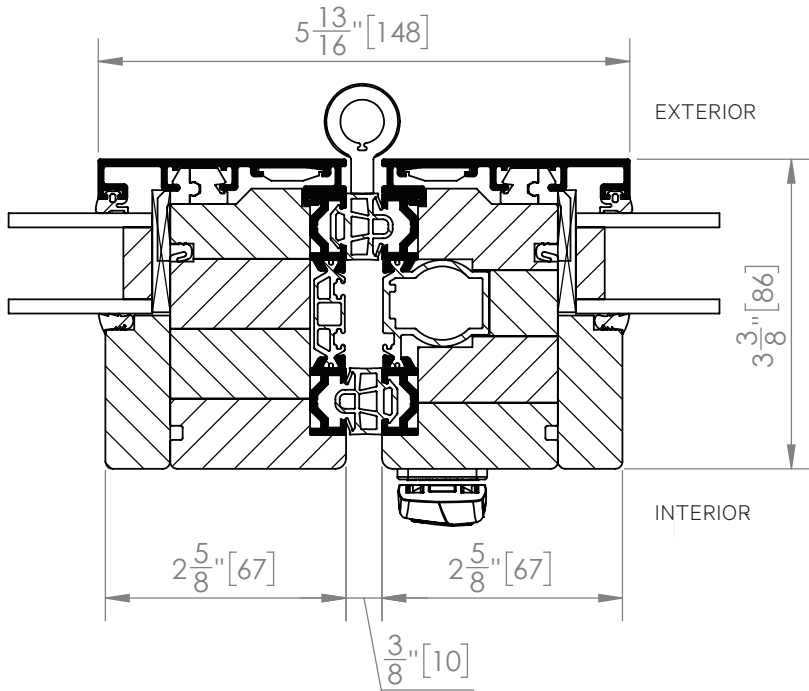


**Detail 5.0**

Panel with Running Post and Top and Bottom Rollers Attached Meeting at Side Jamb

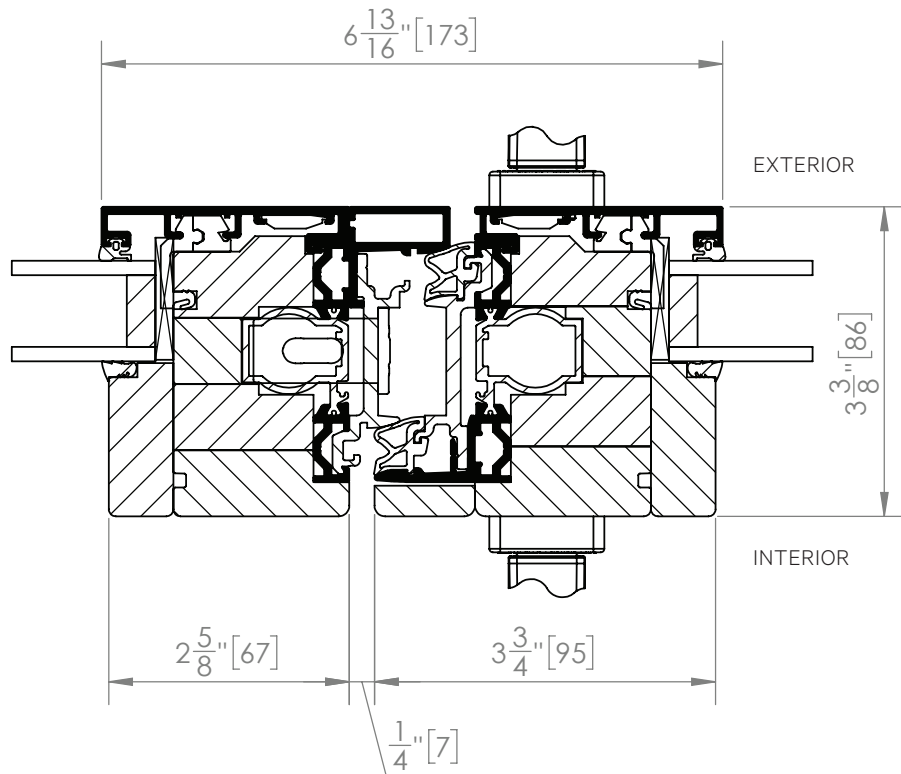
**Detail 7C.0**  
Hinged Folding Panels

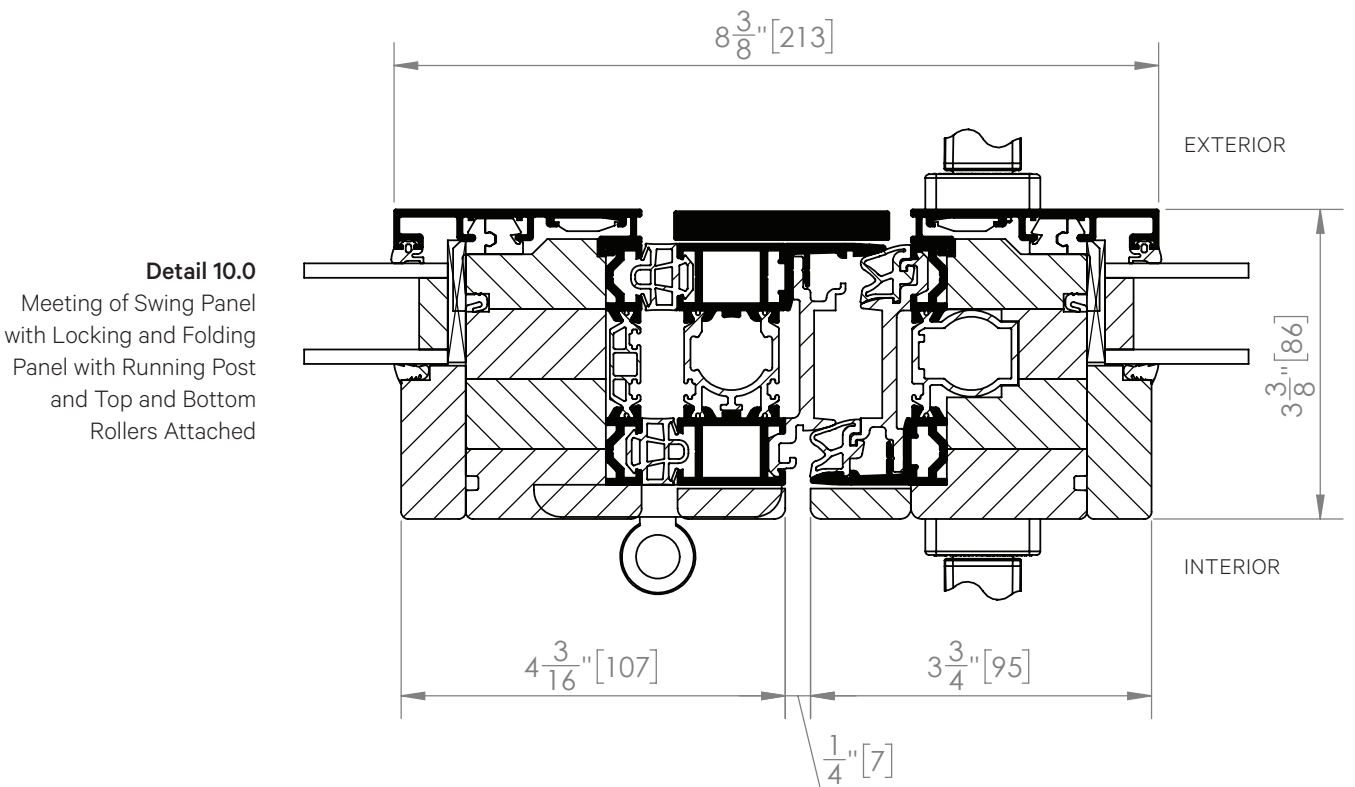
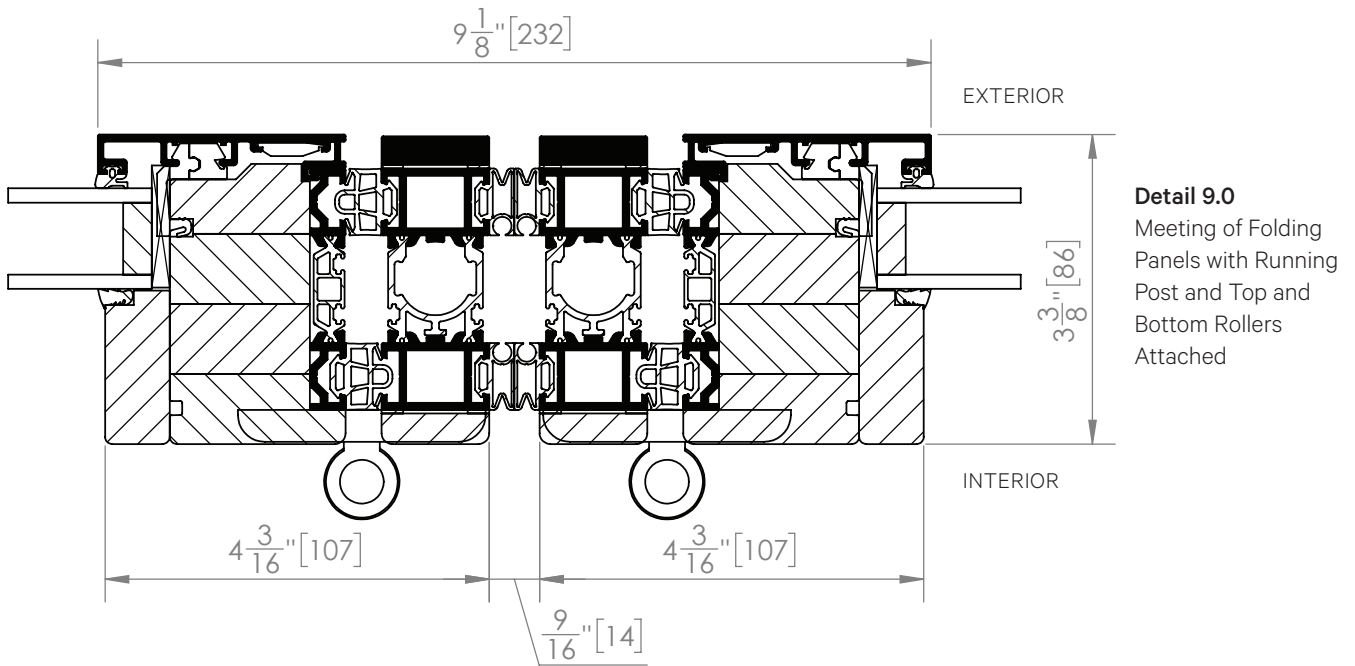


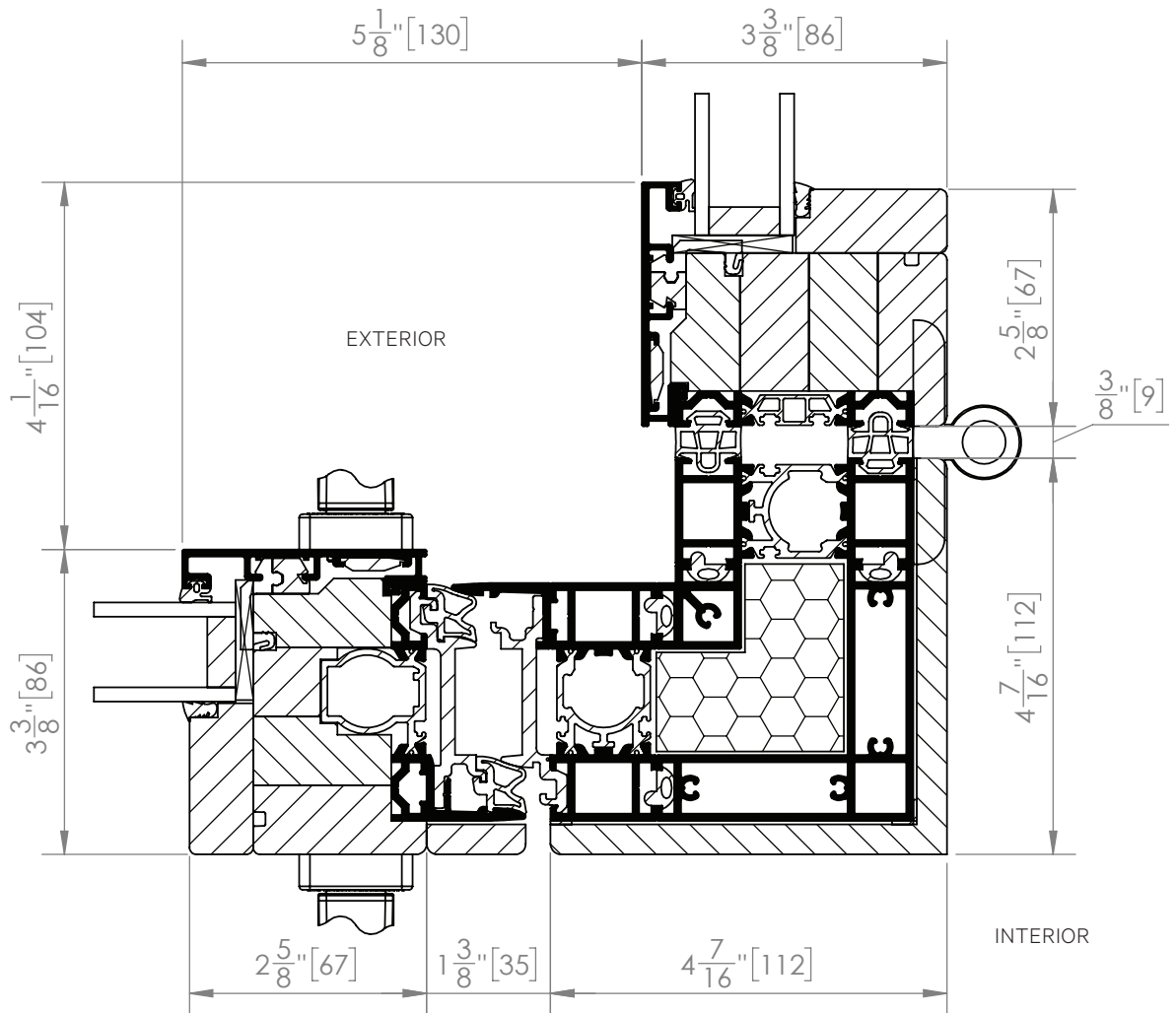


**Detail 7.0**  
Hinged Folding Panels  
with Locking

**Detail 8.0**  
Pair of Swing Panels  
with Primary Swing  
Panel with Lever Handle  
Locking on Right and  
Secondary Swing Panel  
with Concealed Edge  
Lock on Left

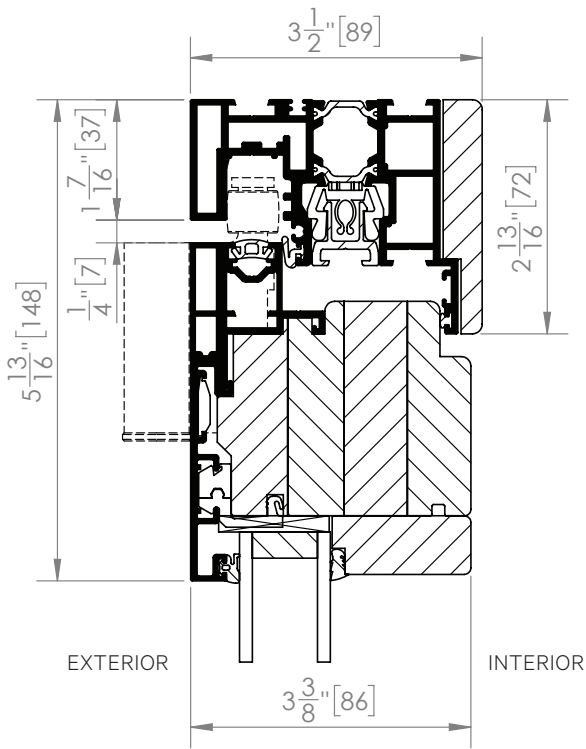






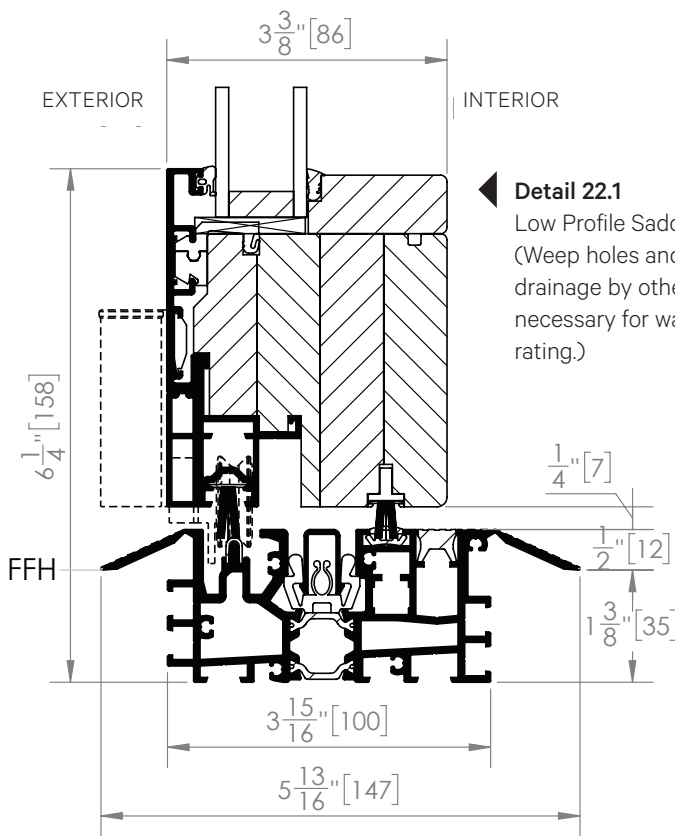
**Detail 35.0**

Meeting of Swing Panel with Locking and Folding Panel with a Combined Running Post with Top and Bottom Rollers and a 90-Degree Corner Post Attached with Concealed Edge Lock for an Inside Corner

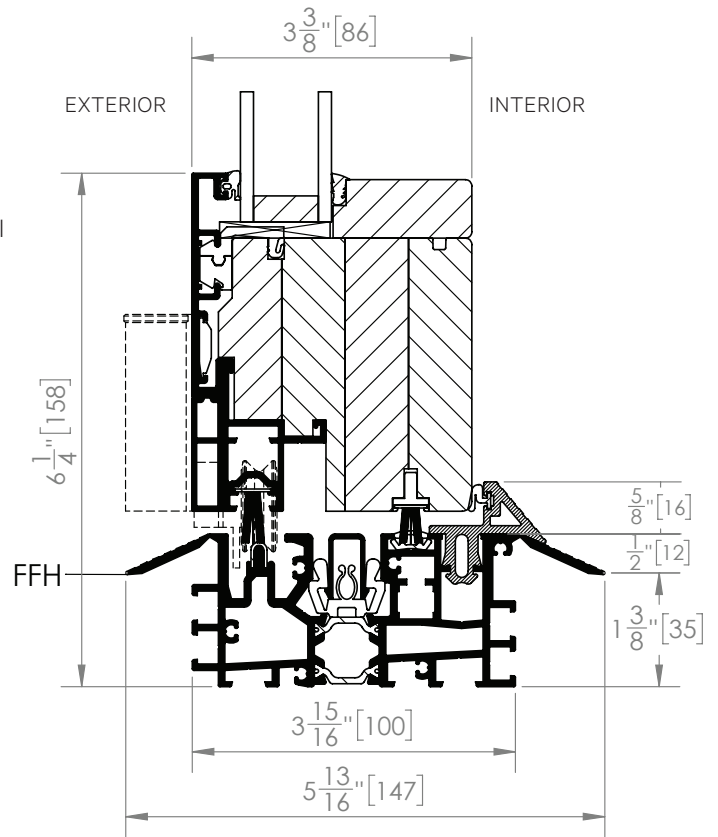


**Detail 1.1**  
Head Jamb

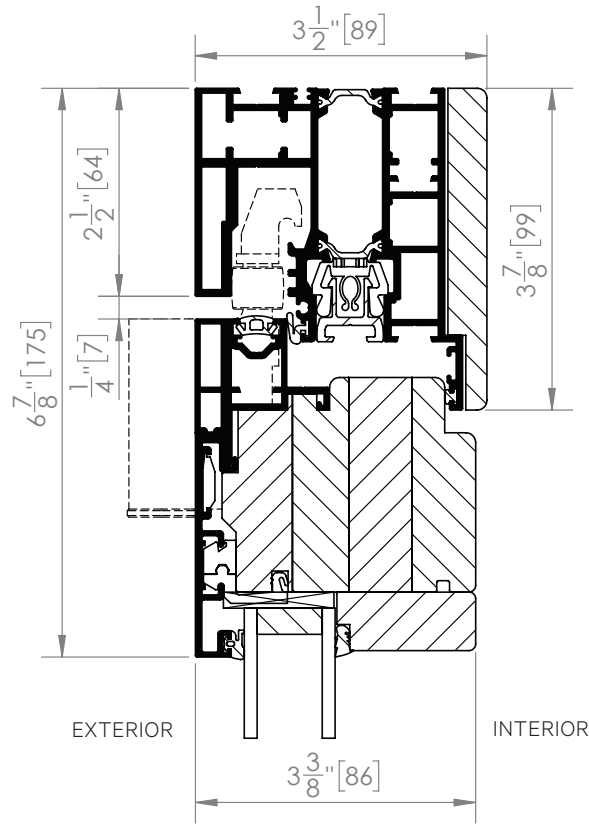
**Detail 22.1 UniverSILL®**  
Low Profile Saddle Sill with UniverSILL®  
(Weep holes and drainage by others necessary for water rating.)



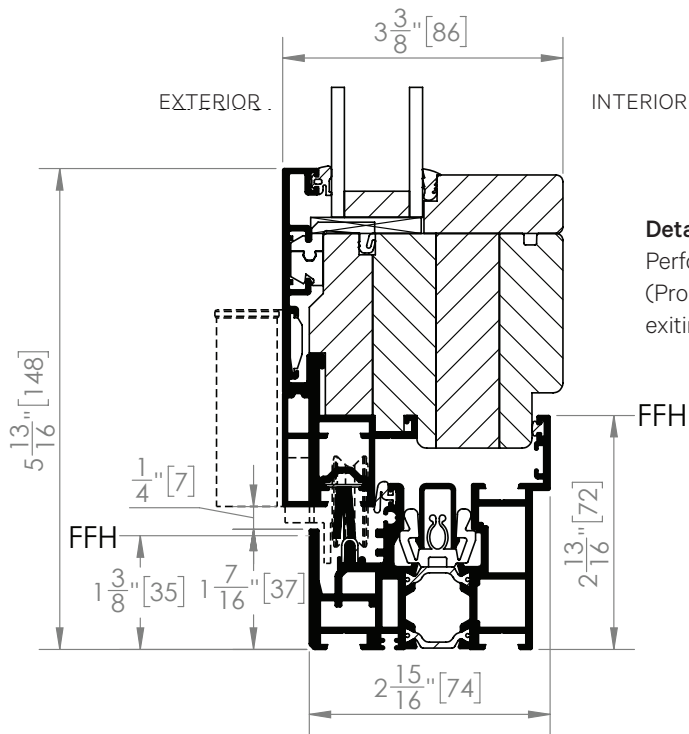
**Detail 22.1**  
Low Profile Saddle Sill  
(Weep holes and drainage by others necessary for water rating.)



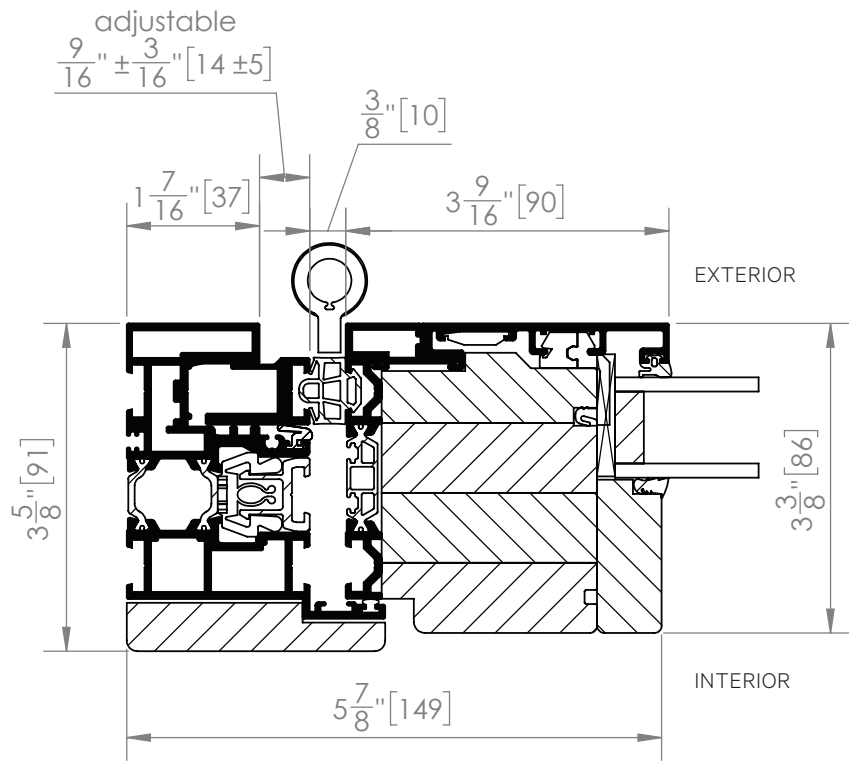




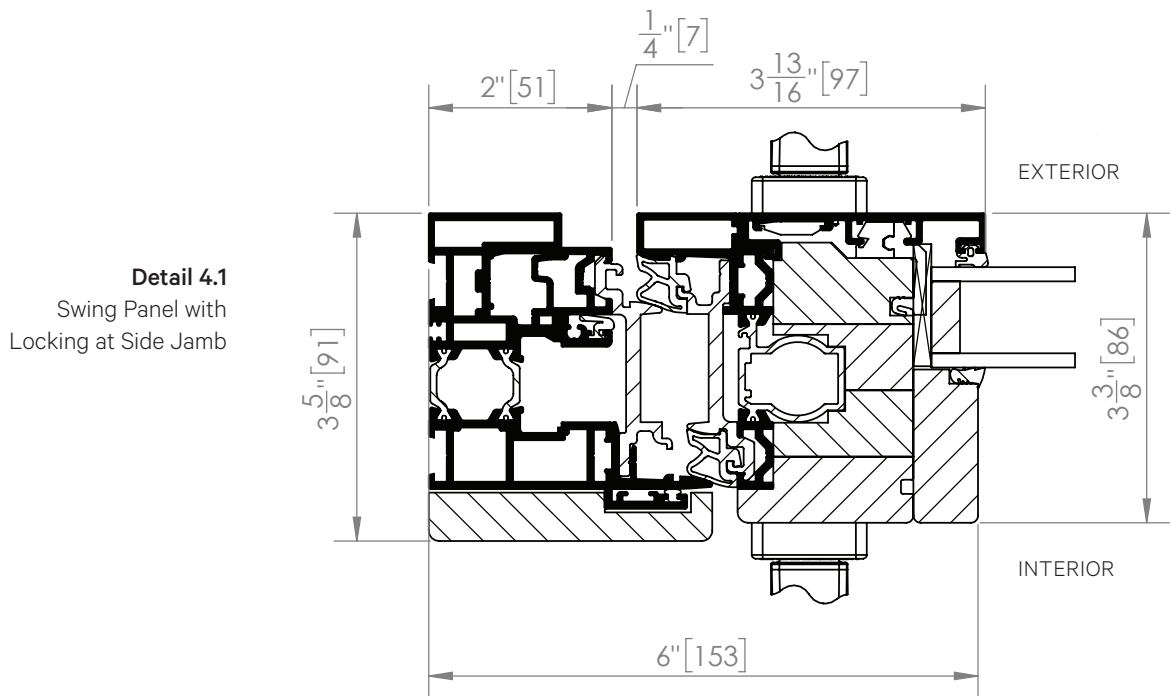
**Detail 12.1**  
Head Jamb for  
Unhinged Panel Sets



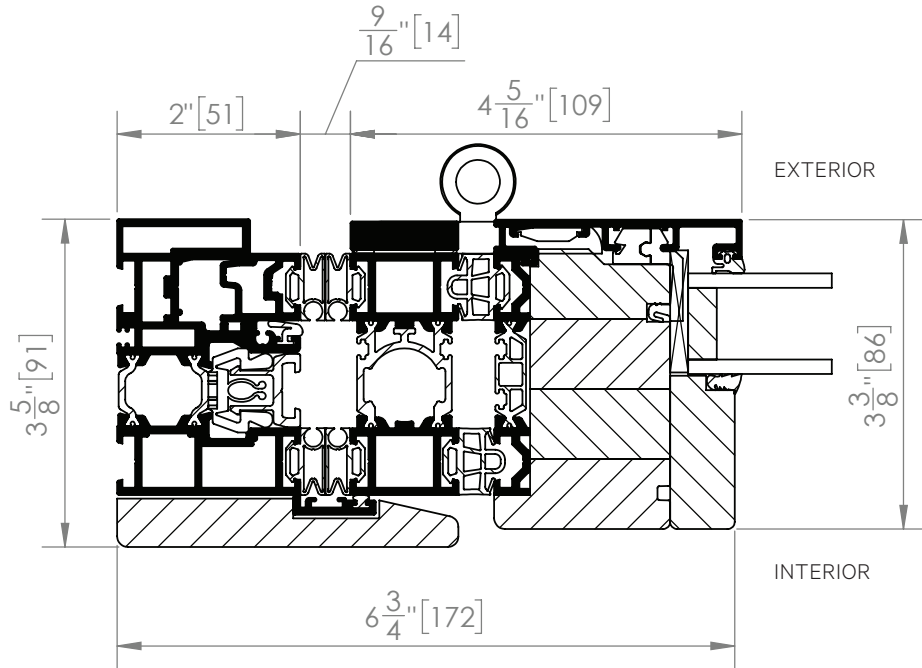
**Detail 2.1**  
Performance Sill  
(Proper drainage by others of water  
exiting weep slots necessary.)



**Detail 3.1**  
Panel Hinged to Side Jamb

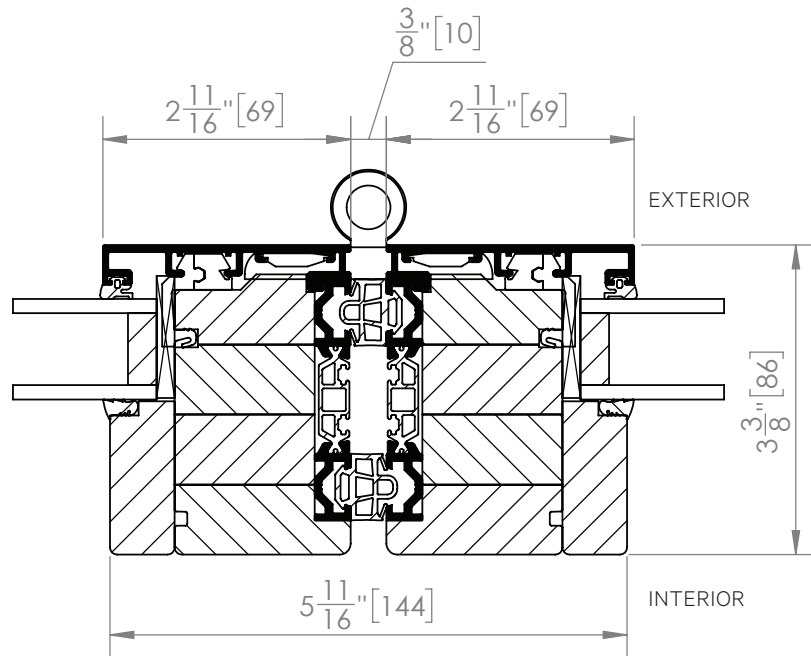


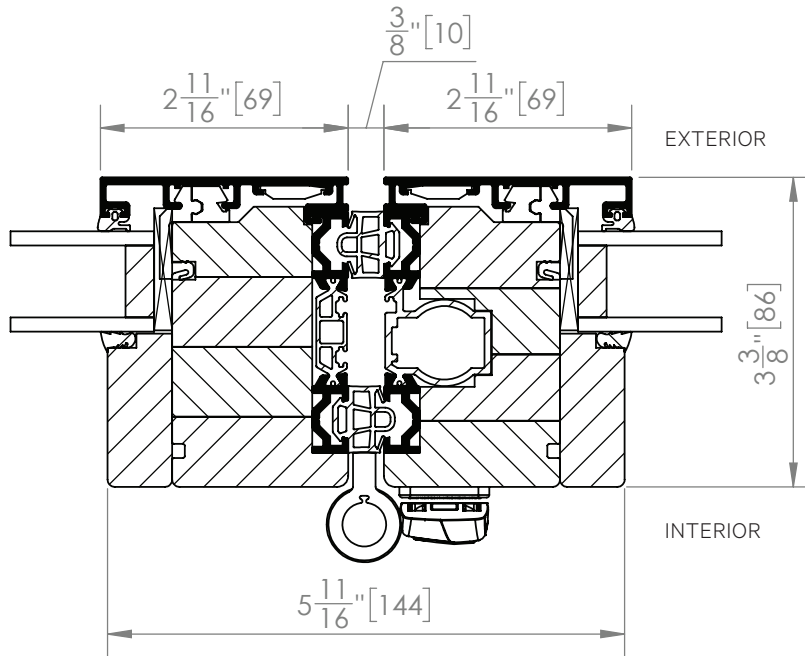
**Detail 4.1**  
Swing Panel with  
Locking at Side Jamb



**Detail 5.1**  
 Panel with Running Post  
 and Top and Bottom Rollers  
 Attached Meeting at Side Jamb

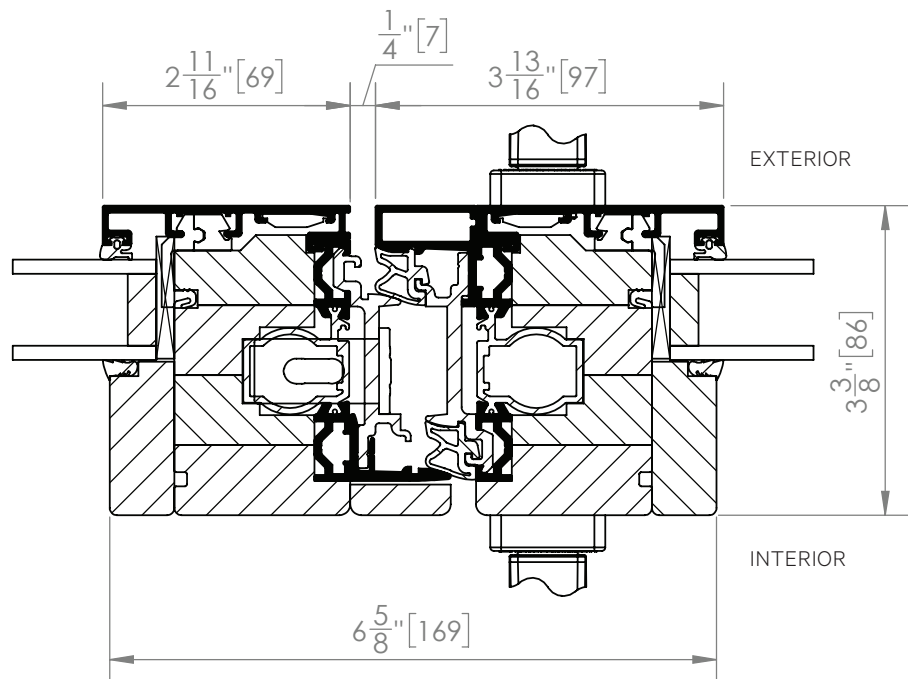
**Detail 7C.1**  
 Hinged Folding  
 Panels

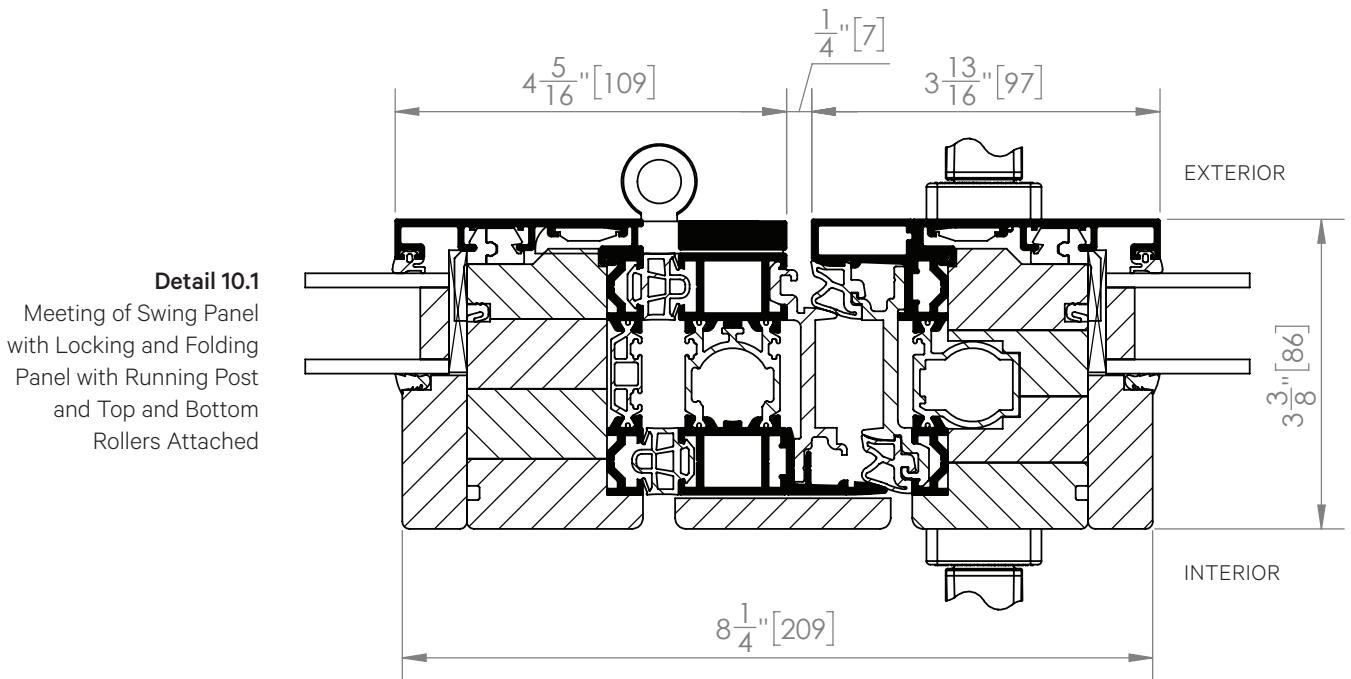
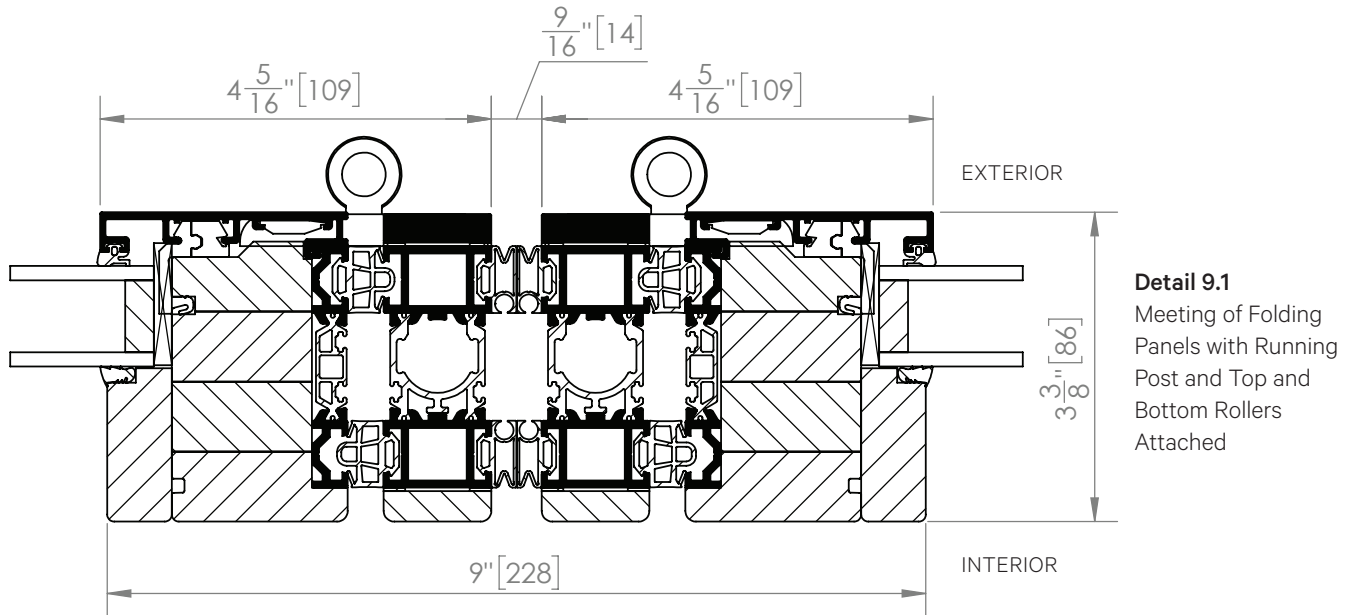


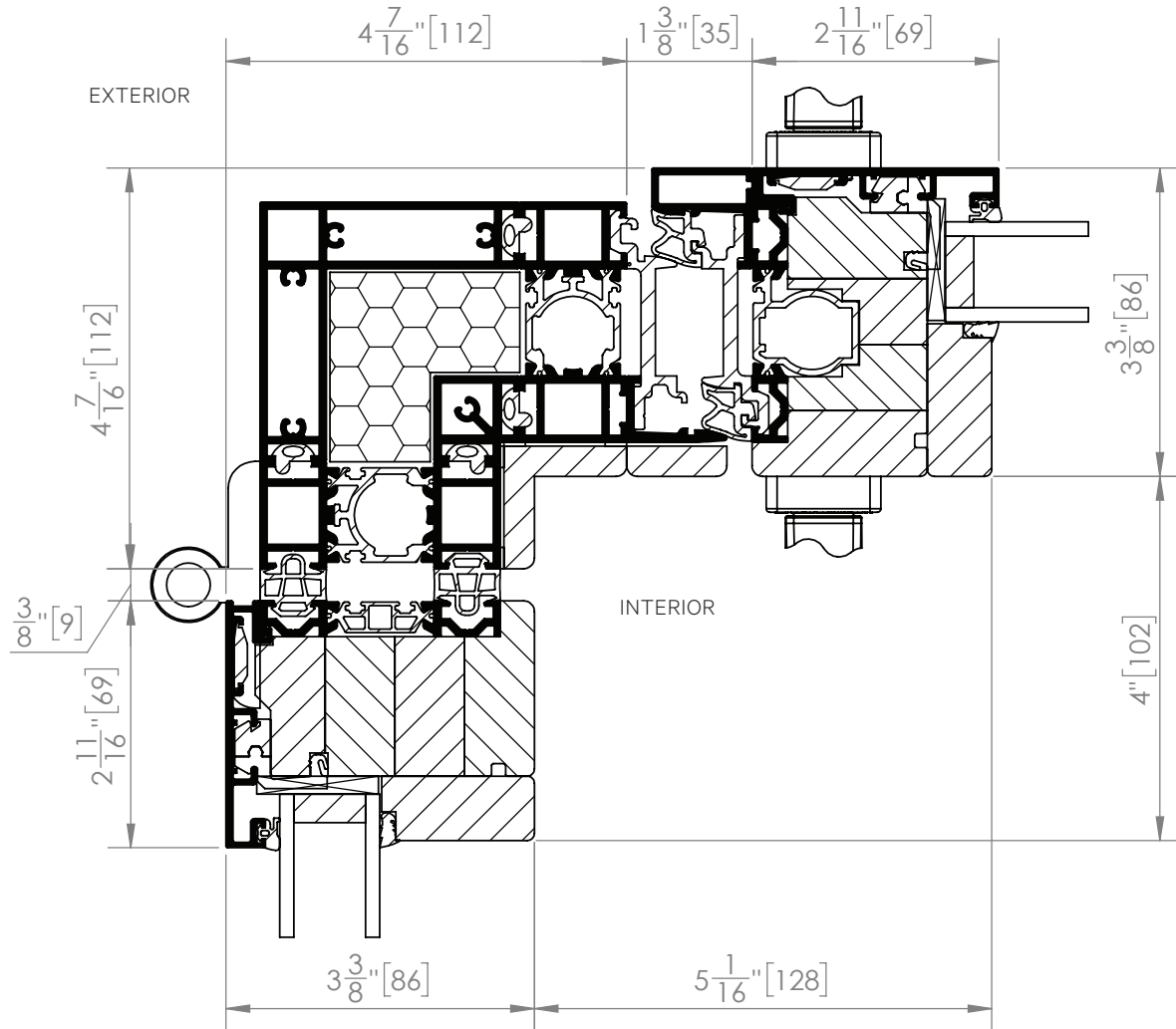


**Detail 7.1**  
Hinged Folding Panels  
with Locking

**Detail 8.1**  
Pair of Swing Panels with  
Primary Swing Panel with  
Lever Handle Locking on  
Right and Secondary Swing  
Panel with Concealed Edge  
Lock on Left

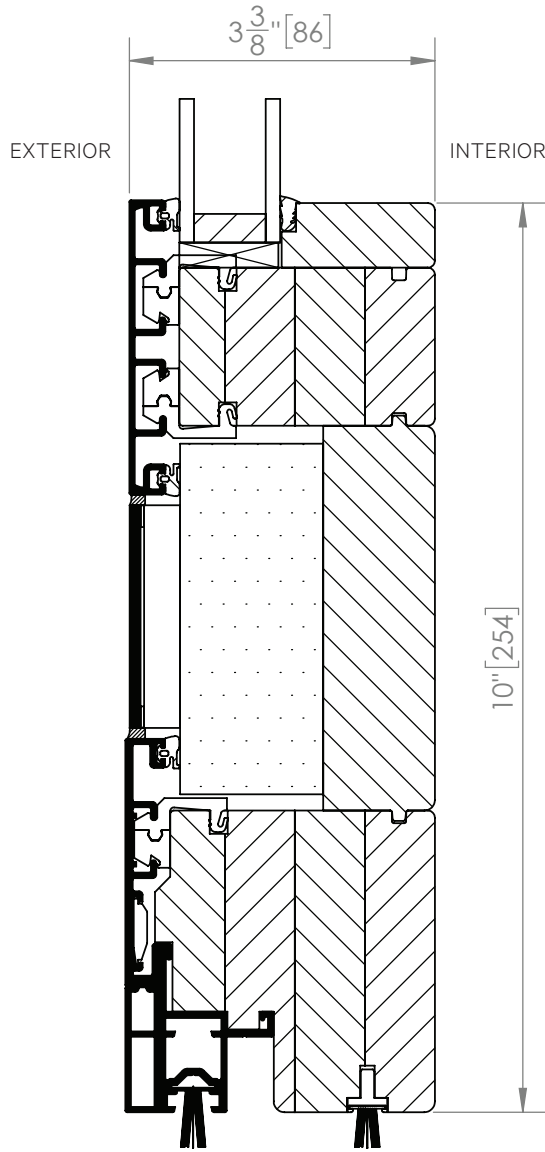




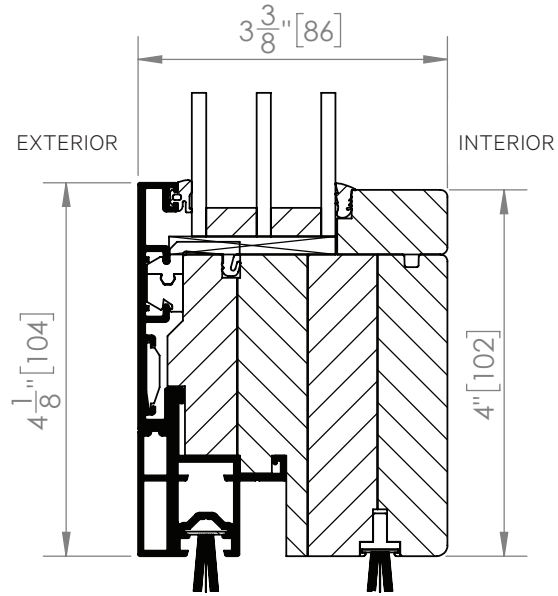


**Detail 35.1**

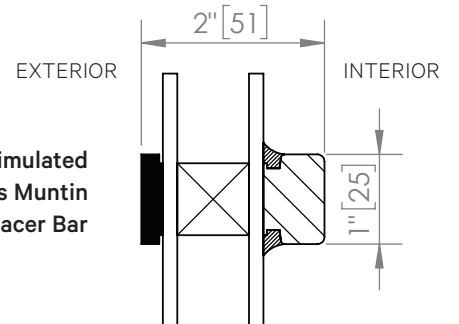
Meeting of Swing Panel with Locking and Folding Panel with a Combined Running Post with Top and Bottom Rollers and a 90-Degree Corner Post Attached with Concealed Edge Lock for an Outside Corner



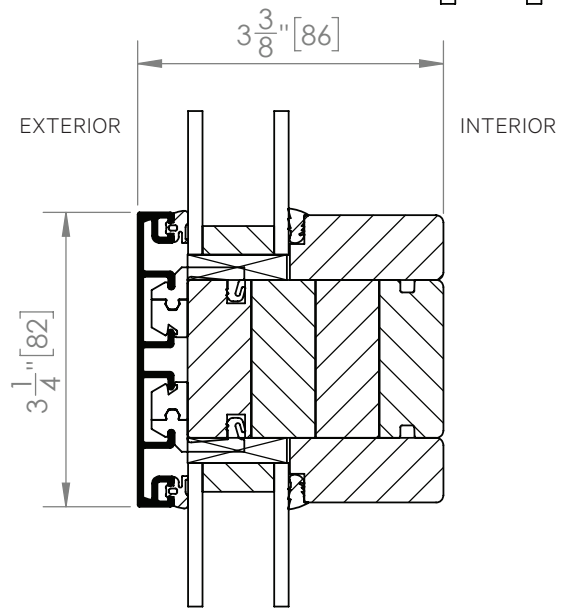
Typical Higher Bottom Rail



Typical Glass Stop Profile with Triple Glazing



Typical Simulated Divided Lites Muntin with Spacer Bar



Typical Mullion Profile

## Suggested Typical Installation

### INSTALLATION NOTES

Suggested Typical Installation drawings shown are very general and may not be suitable for any particular installation. Product placement, fasteners, flashing, waterproofing, sealant, trim, and other details for specific surrounding conditions must be properly designed and provided by others.

### INSTALLATION CONSIDERATIONS

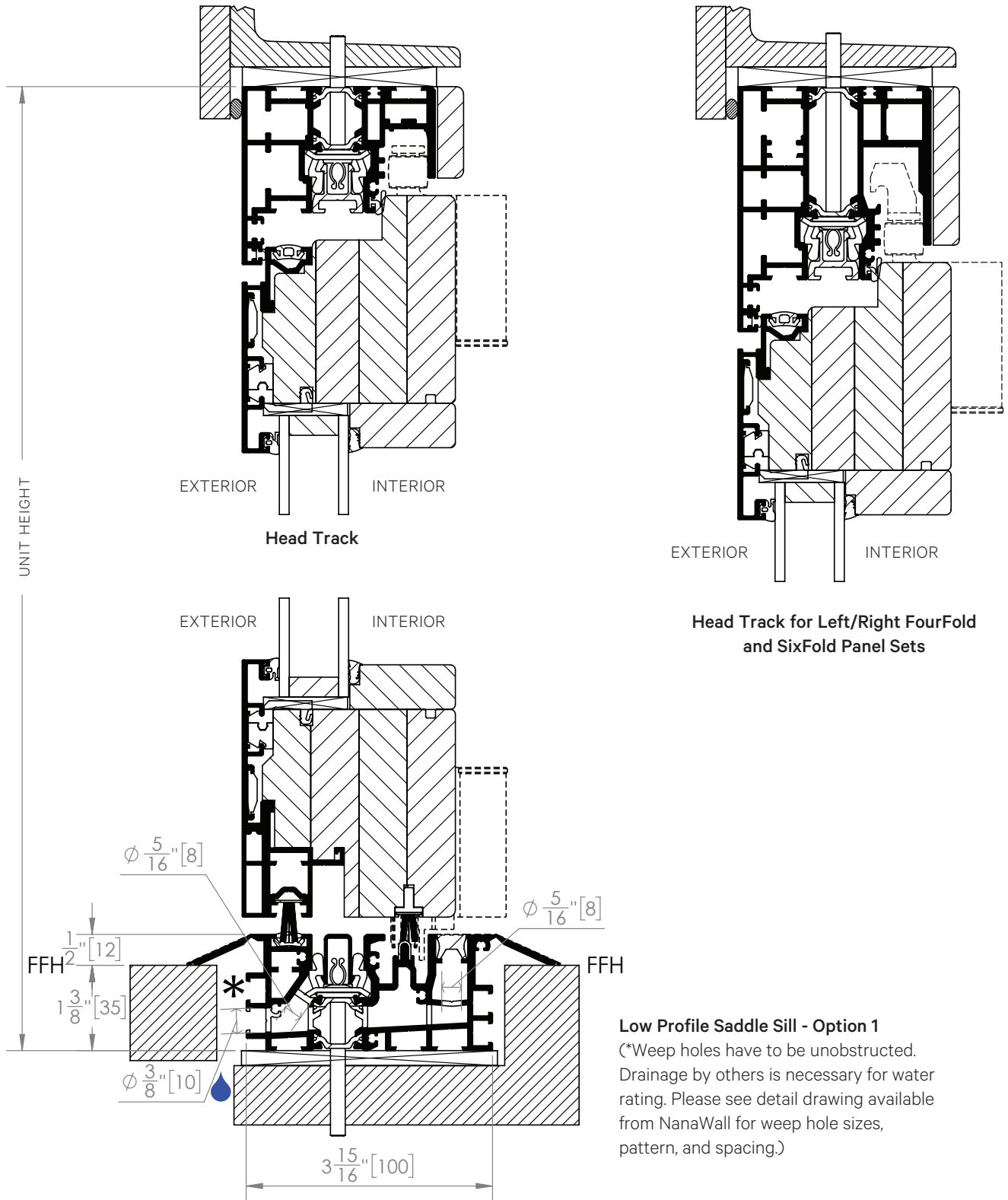
The approximate weight of a panel with double glazing is 5.5-7.5 lbs/ft<sup>2</sup> (27-37 kg/m<sup>2</sup>) and with triple glazing is 7-8 lbs/ft<sup>2</sup> (34-39 kg/m<sup>2</sup>). The maximum vertical structural deflection of the header should be ¼" (6 mm) under full live and dead loads. Although for Floor Supported systems, there is no vertical live load deflection of the header from the weight of the panels, structural support for lateral loads (both windload and when the panels are stacked open) must be provided for the header, surrounding walls, and floor. For further information, see "Preparation of the Rough Opening" section in the Installation Instructions for the applicable system. An owner's manual with these Installation Instructions is available from NanaWall or from NanaWall's website.

It is recommended that all building dead loads be applied to the header prior to installing the NanaWall. If so and if a reasonable amount of time has been allowed for the effect of this dead load to be imposed on the header, then only the building's live load can be used to account for the above maximum header deflection of ¼" (6 mm). There may be additional structural requirements not mentioned here.

Note: For some jurisdictions, any standing water in sill channels must be drained. Weep holes for this purpose are to be done by others in the field, including drain connections if sill is recessed.

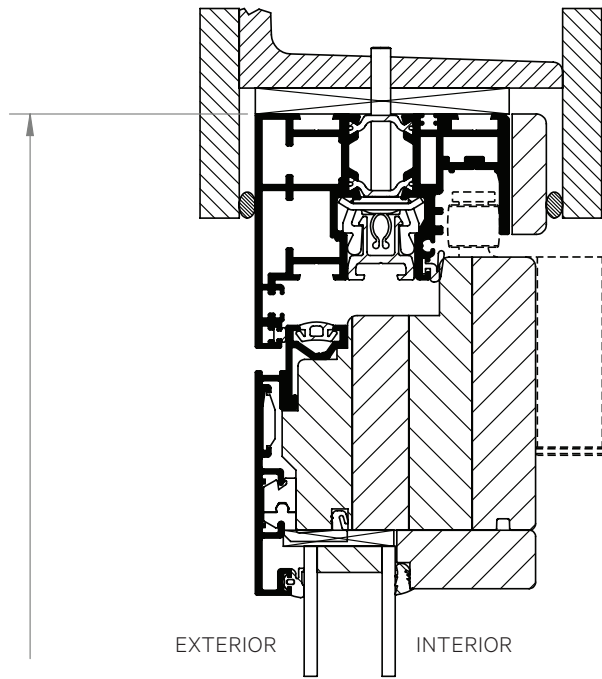


Inward Opening Details

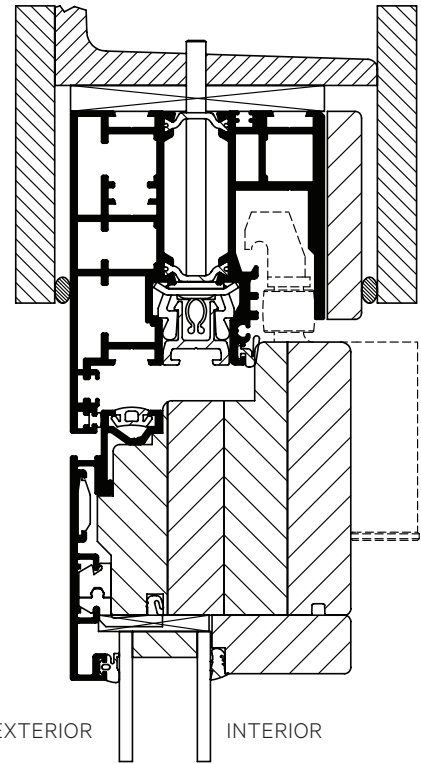


**Low Profile Saddle Sill - Option 1**  
 (\*Weep holes have to be unobstructed. Drainage by others is necessary for water rating. Please see detail drawing available from NanaWall for weep hole sizes, pattern, and spacing.)

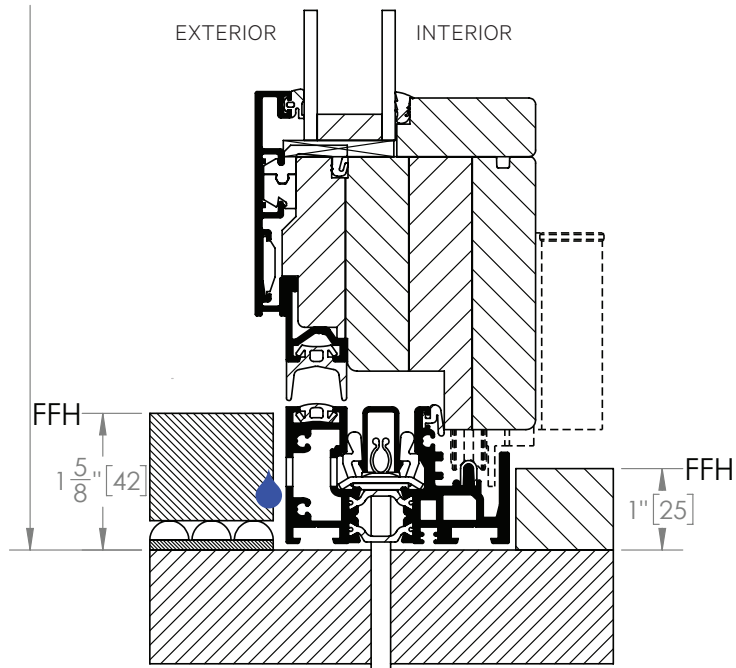
Inward Opening Details



Recessed Head Track



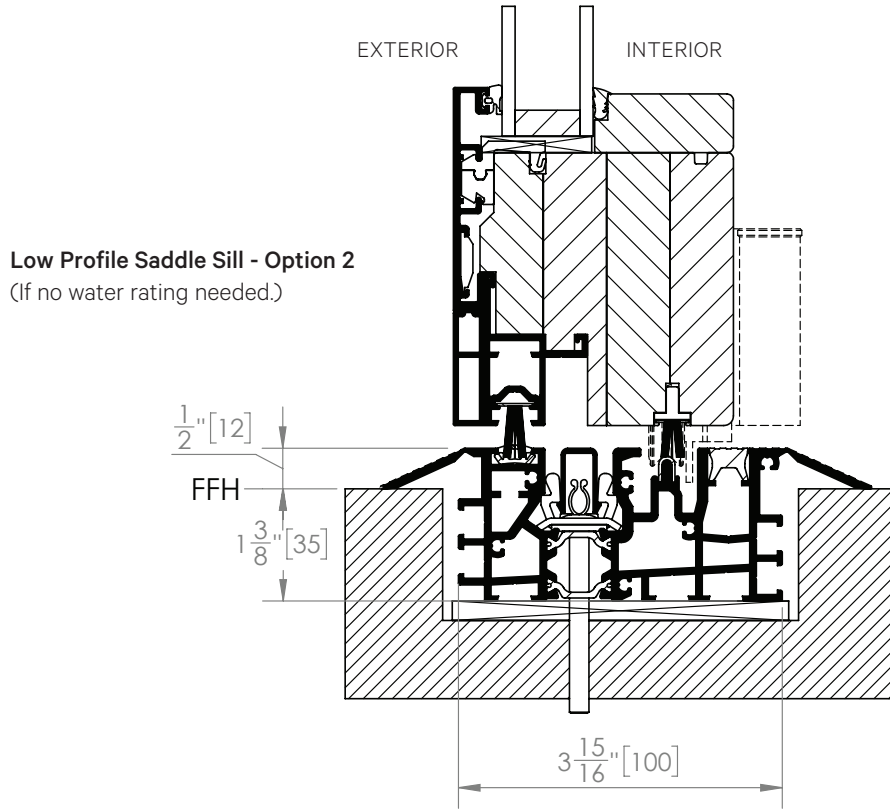
Recessed Head Track for Left/Right FourFold and SixFold Panel Sets



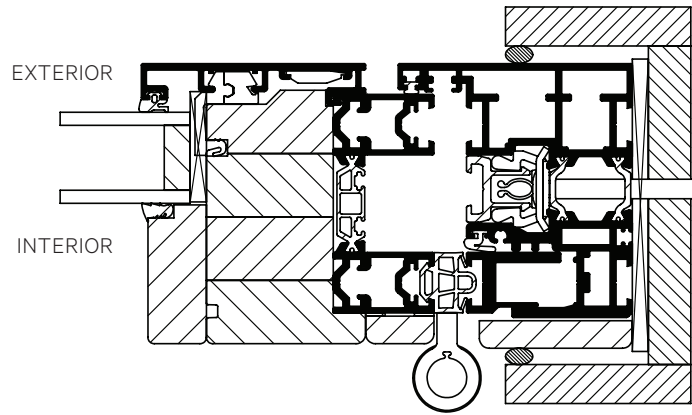
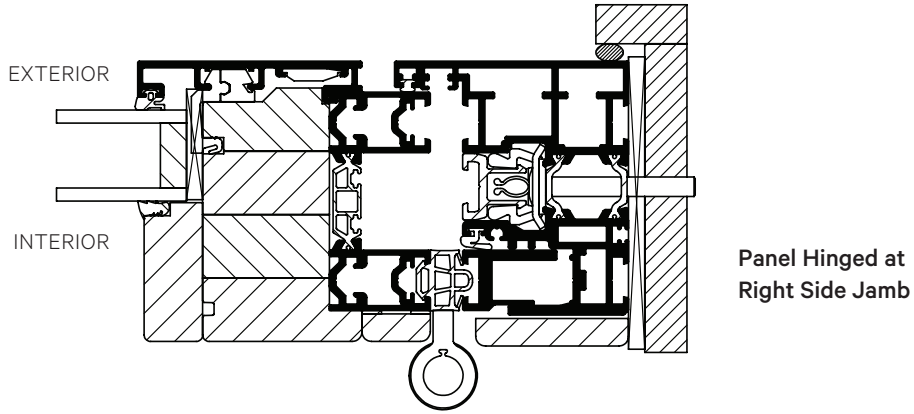
**Performance Sill**

(Weep slots have to be unobstructed. Details of the management of water exiting the weep slots must be designed and installed by others.)

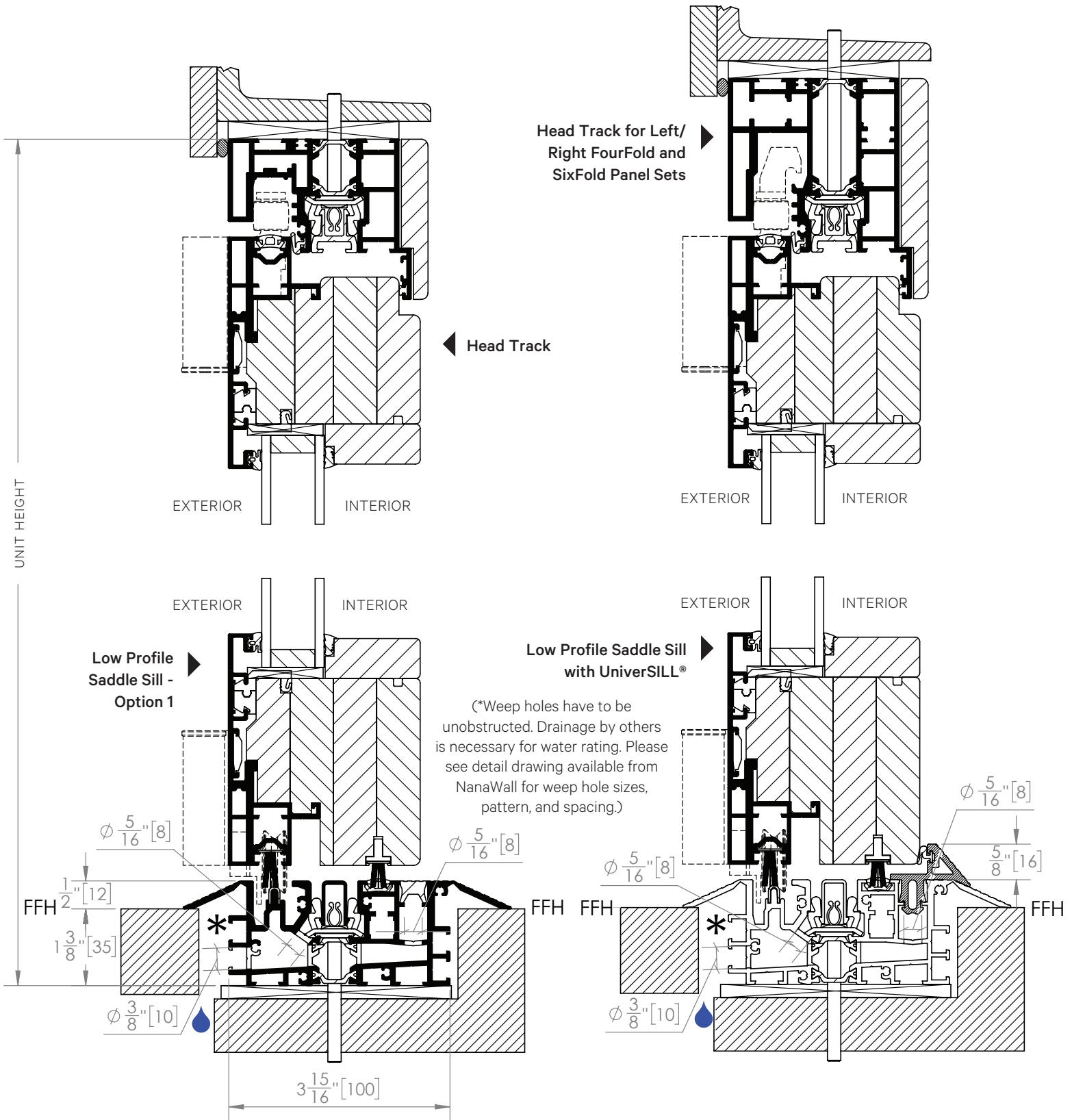
### Inward Opening Details



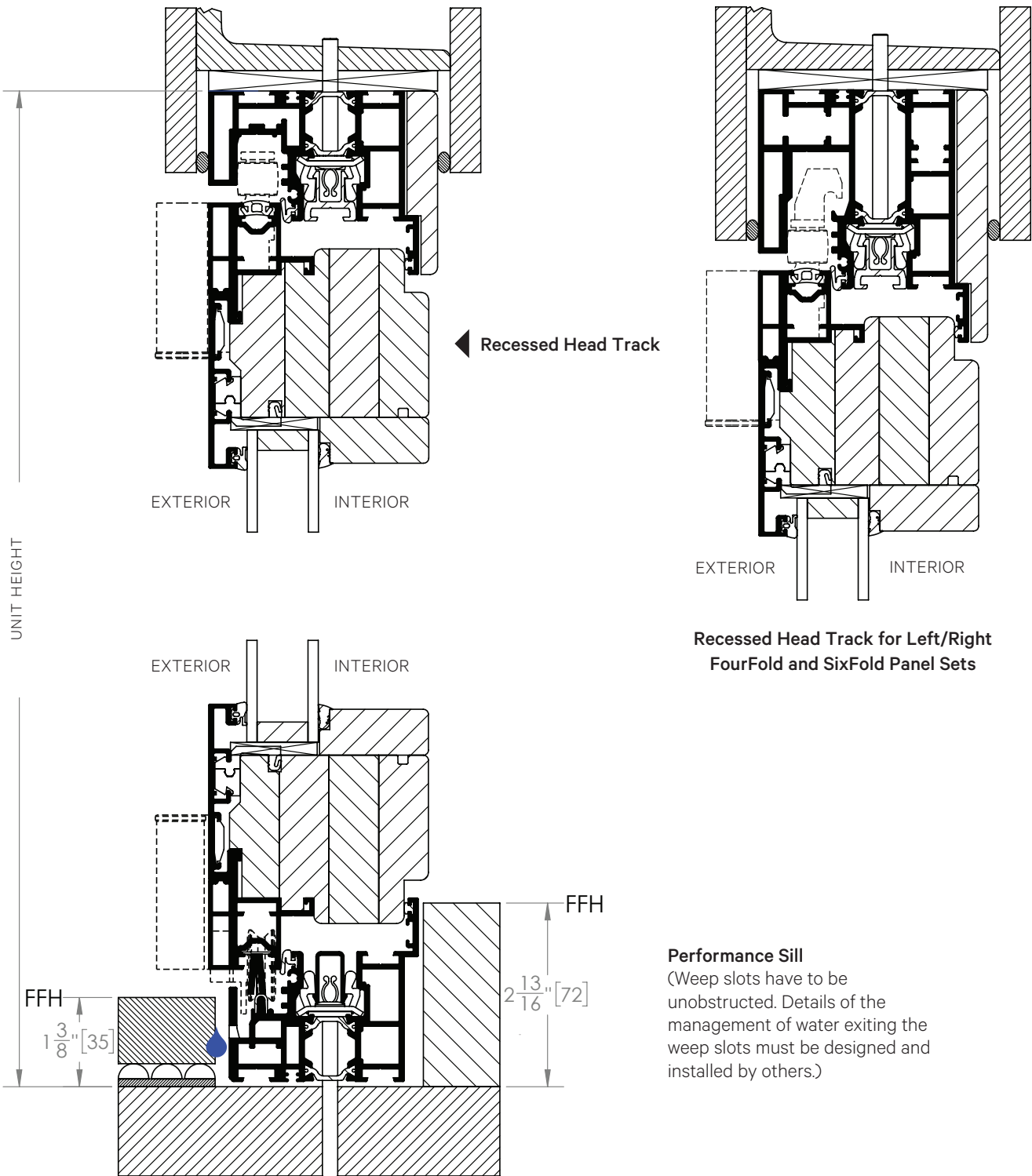
### Inward Opening Details



Outward Opening Details



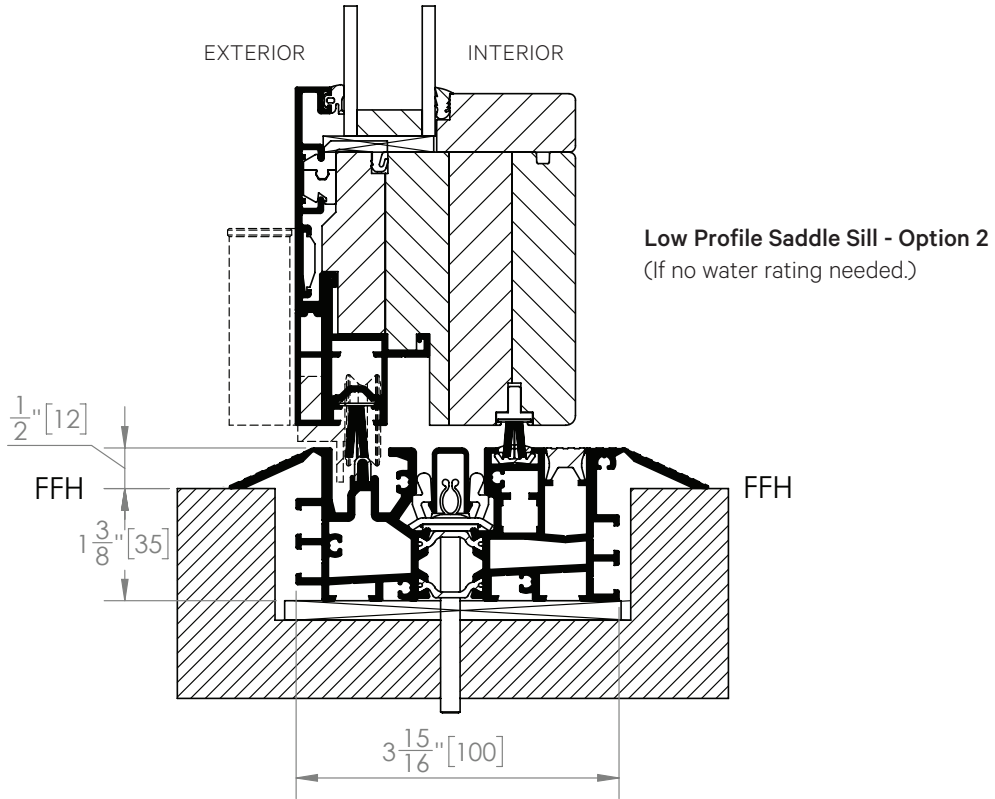
Outward Opening Details



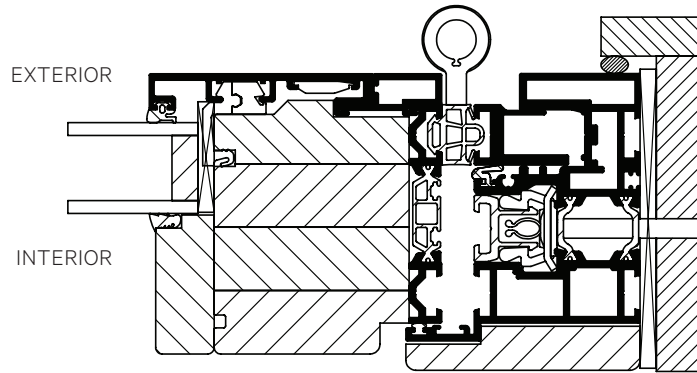
Recessed Head Track for Left/Right FourFold and SixFold Panel Sets

**Performance Sill**  
 (Weep slots have to be unobstructed. Details of the management of water exiting the weep slots must be designed and installed by others.)

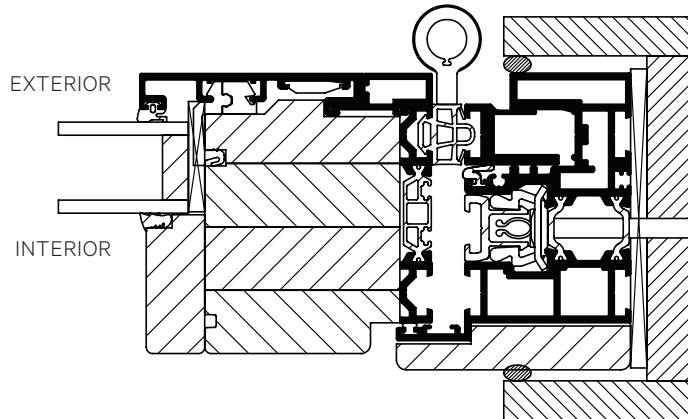
### Outward Opening Details



### Outward Opening Details



Panel Hinged at  
Right Side Jamb



Panel Hinged at Right with  
Recessed Side Jamb