



# Installation and Owner's Manual

## HSW75

### Single Track Sliding Frameless System

This Manual contains instructions on the installation, operation, maintenance, and warranty of HSW75 Single Track Sliding Frameless System by NanaWall. This manual is to be used by the Installer for installation and is to be kept by the Owner for reference. Replacement parts can be ordered directly through NanaWall Systems.

# Table of Contents

<b>Installation</b>		
Installation Instructions .....	2	
Rough Opening Field Survey .....	4	
HSW75 Suggested Typical Installation Details .....	6	
HSW75 Panel Options .....	7	
Recommended Fasteners and Shims .....	8	
Recommended Tools .....	9	
<b>Generic Installation Instructions</b>		
Head Track Installation .....	11	
Mortise Key/Key Cylinder Installation .....	13	
Panel Installation .....	14	
Panel Alignment and Adjustment .....	16	
Floor Socket and Pivot Box Installation .....	18	
Locking Receiver Installation for Single Action Sliding Panel .....	20	
Single/Double Action End Panel (Non-Sliding) Installation .....	21	
Single Action End Panel with Offset Hinge (Non-Sliding) Installation .....	26	
Top Brush Height Adjustment .....	30	
Push/Pull Handle Installation .....	31	
H-Profile and Edge Protector Installation .....	32	
<b>NanaWall Limited Warranty</b> .....		<b>33</b>
<b>NanaWall Warranty Registration</b> .....		<b>35</b>

# Installation Instructions

The installation of the NanaWall system requires a working knowledge and experience in the use of tools, equipment, and methods necessary for the installation of all glass systems, aluminum doors, windows, storefronts, and/or partitions. This practice assumes a familiarity with preparing a proper and structurally sound opening, proper anchorage, caulking, sealing, and assumes an understanding of the fundamentals of building construction that affect the installation of large horizontal single track sliding systems.

Using an independent NanaWall Certified Installer is highly recommended. If an independent NanaWall Certified Installer cannot be used, the installer should have at least some experience in installing NanaWall systems.

**IMPORTANT:** Read these installation instructions before carrying out any installation work. Install as recommended; otherwise, the unit may not function properly and any warranty, written or implied, will be void.

As regulations governing the use of all glass systems, glazed windows, doors, storefronts, and/or partitions vary widely, it is the responsibility of the customer, building owner, architect, contractor, or installer to ensure that products selected conform to all applicable codes and regulations, including federal, state, and local. Nana Wall Systems, Inc. can assume no obligation or responsibility whatsoever for failure of the customer, building owner, architect, contractor, or installer to comply with all applicable laws and ordinances, and safety and building codes.

Please pay special attention to the thickness of glass for the HSW75 single track sliding system. The 1/2" (12 mm) glass thickness we use as our standard is per the guidelines in the Engineering Standards Manual

(2019 Edition) of the National Glass Association (NGA with GANA), provided that the supplied H-profiles are field installed between individual sliding panels. Please check with applicable local codes whether glass supplied is acceptable. The weight of a panel with 1/2" (12 mm) thick glass is 8 lbs/ft<sup>2</sup>.

The HSW75 all glass systems are shipped with all necessary components. However, the anchoring materials, such as the correct screws, bolts, and shims required to anchor the unit in the rough opening are not part of the scope of supply and are not provided by NanaWall. Selection of the proper anchoring materials are critical to proper installation as outlined in these instructions.

## DESCRIPTION OF SUPPLIED PARTS

An accessory box is added to the crates that contains hinge pins, floor sockets, various hardware parts, and printed documents. Inspect the product drawings indicating size, configuration, and labeling of the units ordered. Carefully note the information on the rough opening allowances to make sure the rough opening is prepared properly for the system to fit correctly when installed. For orders with multiple units, do not mix and match panels and head tracks, even if two units are exactly the same.

The elevation drawing shows the sequence and number of panels, which depends on the model ordered. **The drawing is always viewed from the outside, but the locking shown is what is on the inside.** The panels are pre-assembled with two upper rollers for each sliding panel and with specified locking. The sequence of labeling of panels starts from the left looking from outside with the left most panel labeled Panel #1.

Check all parts carefully before assembly. Depending on the model, some of these parts may already be pre-installed on the panels. Check that the sizes of the head

track components, panel sizes, and configurations match what was ordered according to the signed product drawings that show all dimensions of the system.

The head track is shipped in knocked down components and needs to be assembled. Panels are pre-assembled with glass, ready to be attached to the installed head track. In most cases, all rollers, pivots, brushes, and locks are pre-attached to the panels.

Other components include:

- Push/pull handles, other handles, or other hardware, as ordered may not be pre-attached to the panels and will be in the hardware box or shipped separately.

The layout drawing of your unit shows the head track components consisting of the head track in the opening, the stacking route(s) and the parking bay(s), how they are labeled and how they have to be connected. The joints for the segments are indicated and necessary connectors for connecting different head track pieces are provided.

- The location of the removable head track (RHT) portion to insert the rollers on panels is indicated on the layout drawing. Pay special attention to the direction of the upper guiding rollers and how they have to be inserted into the head track. The direction is shown on the product drawings above the elevation drawing.
- The top door closer and the conversion box of single action sliding panels are pre-attached to the top rail, but the locking receiver to be installed on the side of the head track will be in the hardware box.
- To prevent the panels from coming off the head track, stoppers must be installed at the ends.
- Specified floor sockets, pivot points, pivot boxes, and floor closers.
- Crank handle for single action sliding panels, if any.

## HANDLING OF COMPONENTS

1. Upon receipt, inspect the shipment to ensure it is in good condition. Any potential damage must be noted on the Bill of Lading at the time of delivery by the customer. Any shipping damage to crates and components inside must be photographed and reported to NanaWall immediately. Please email pictures with your order number to [service@nanawall.com](mailto:service@nanawall.com) and contact the Service Department at (800) 873-5673 ext. 256.
2. Make sure that the accessory box with the hinge pins, floor sockets, various hardware parts, and printed documents does not get lost. Please also verify the product drawings for this order and the Installation and Owner's Manual are in the box. If these are missing, please contact NanaWall at [info@nanawall.com](mailto:info@nanawall.com) to get these documents.
3. Store in a clean and dry location and protect against defacement or damage, especially to the edges of panels.
4. Always practice safety. Wear the appropriate eye, ear, and hand protection items, especially when working with power tools. These panels can be heavy and awkward to handle. Use appropriate assistance and safety procedures, including safe lifting techniques, to avoid personal injury and damage to product.

## PREPARATION OF THE ROUGH OPENING

**IMPORTANT:** To avoid future problems, check the condition on site before starting the installation. **Do not install your unit until the rough opening has been measured, dimensions properly checked with supplied product drawings and correctly prepared.**

It is important that the system is properly supported at the top and at the proper locations. All rough opening spaces and allowances shown in the product drawings are meant for shimming the system to be installed perfectly plumb, level, and square. For necessary clearance and shim adjustment space, rough opening is suggested to be 1" wider than the unit width (1/2" on each side) and 3/4" taller than the unit height for vertical measurements of the unit ordered (check to comply with applicable codes for maximum shim space allowed). It is important that the rough opening be the correct size.

Note that the height of the unit ordered is measured from the underside of the eccentric ring of the floor socket that usually sits on top of the finished floor to the top edge of the head track that can be recessed into the ceiling. An important reference for the preparation of the rough opening is the finish floor height.

Product performance that includes operation, depends on having the gap between the bottom of the panel and the top of the finish floor be maintained at 1/4" (7 mm) along the opening and the stacking area. The gap between the top of the panel and the bottom of the head track has to be maintained at a nominal gap of 1" (25 mm). The rollers can be adjusted, if needed. The finish floor needs to be absolutely level across the length of the opening, the direction of the swing panels and in the parking bay area.

It is highly recommended to install this system in a rough opening only. The shim space around the system is required—if the system is installed into a finished opening there will be space exposed around the system that will still need to be trimmed.

**IMPORTANT:** Because of the large opening sizes and the weight and movement of the panels, any application should take into consideration the following **Rough Opening Steps:**

1. As the HSW75 system is a top-hung system, it is essential that a proper substrate with the proper size and thickness be used for the support structure above not only as support for the head track in the opening but support of the head track at all locations including the parking bay and stacking route.
2. The structural integrity of the header is critical for proper operation. The maximum vertical deflection allowed at the header, under full live and dead loads (only dead load imposed after product installation), is 1/4" (6 mm). There should be no vertical live load deflection of the floor. The header, surrounding walls, and floor must also be able to support any lateral loads. Perimeter fasteners and substrate must be capable of withstanding reaction forces imposed by wind, distributed loads, and/or dead load. There may be additional structural requirements not mentioned here.
3. The surrounding substrates must be designed and anchored to properly transfer all loads to the main building structure.
4. A qualified engineer or architect should be used to determine the proper construction details and the header to be used in your particular application.
5. The rough opening should be "perfectly" level, plumb, and square at all points. There should be no unevenness or bowing. Make sure that the header is not tilted or twisted. There should be no bumps on the floor. The sides should be in the same vertical plane and not offset of each other. A transit/laser and other similar precise measuring equipment should be used. Finish flooring in the path of the sliding panels, to and from the stacking area and in the path of any swing panels, must be level and low at all points to not interfere with panel movement. Do not use soft finish flooring materials. 1/8" (3 mm) carpet tiles with a very low tuft and no padding underneath are acceptable.
6. For the installation of floor closers, pivot boxes, and floor sockets in concrete slabs and wood, the substrate should be a minimum of 4" thick, these components should be fully embedded into the concrete or wood and the clear edge distance in concrete or wood should be a minimum of 2".
7. Floor sockets, pivot boxes, and floor closers will need to be installed at precise locations after all panels are installed and final adjustments are made.
8. Installations into heavy gage all metal studs must have wood backing.
9. For better performance, it is recommended that all dead loads such as upper levels, roof, etc. be constructed before a unit is installed to limit the deflection of the header after installation of the door system.
10. Envelope details are not part of the base NanaWall installation and will be unique to each project—proper trimming and envelope details around the perimeter of the opening are to be designed and completed by others. This is not part of the scope of work from the independent NanaWall Certified Installer.
11. Make sure you seek proper professional advice for the appropriate construction and envelope details needed for your application and jurisdiction.

**INSTALLATION OF FRAME AND UNIT**

For head track and panel installation, please see section Head Track Installation and Installation Sequence of Panels in this document.

**FINAL STEPS**

Finishes, trim work, and sealant needed around the perimeter of the opening to be designed and finished by others.

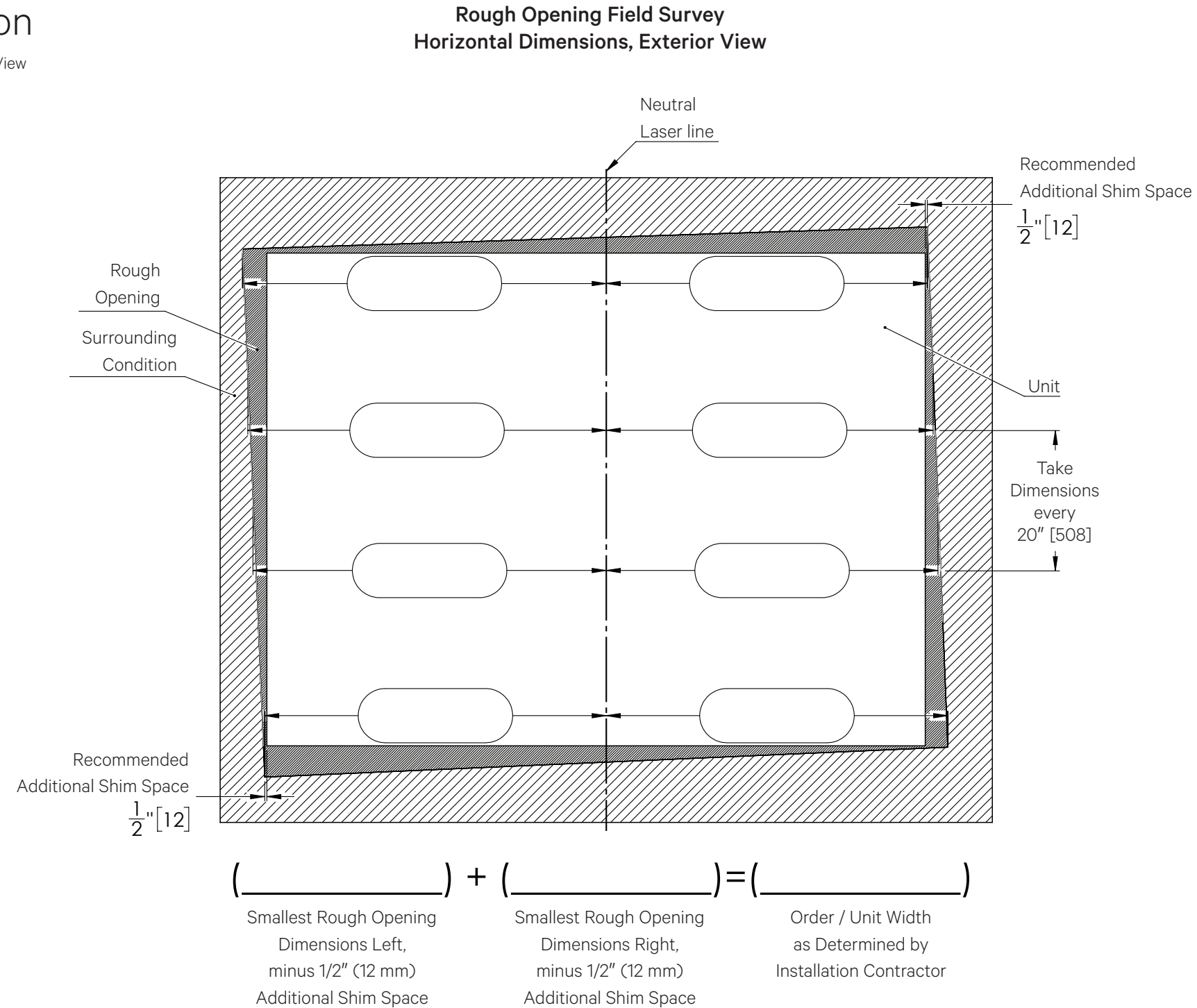
To prevent uncontrolled movement of the panels when in open position, place appropriate door holder by others as needed. For further options please get in touch with [service@nanawall.com](mailto:service@nanawall.com).

**PROTECTION OF UNIT DURING CONSTRUCTION PHASE**

It is important that during the construction phase to keep the HSW75 all glass systems open (if possible), covered, and protected from damage. During this phase, a unit is often subject to the most extreme conditions from all types of construction operations that can cause permanent damage or destroy a unit. A unit can be damaged by cement splatter, tar, paint, weld splatter, falling objects, construction dust, sand blasting, etc. All temptations to use the large opening of an installed system for easy ingress and egress by tradesmen should be resisted.

# Rough Opening Preparation

Rough Opening Field Survey Horizontal Dimensions, Exterior View

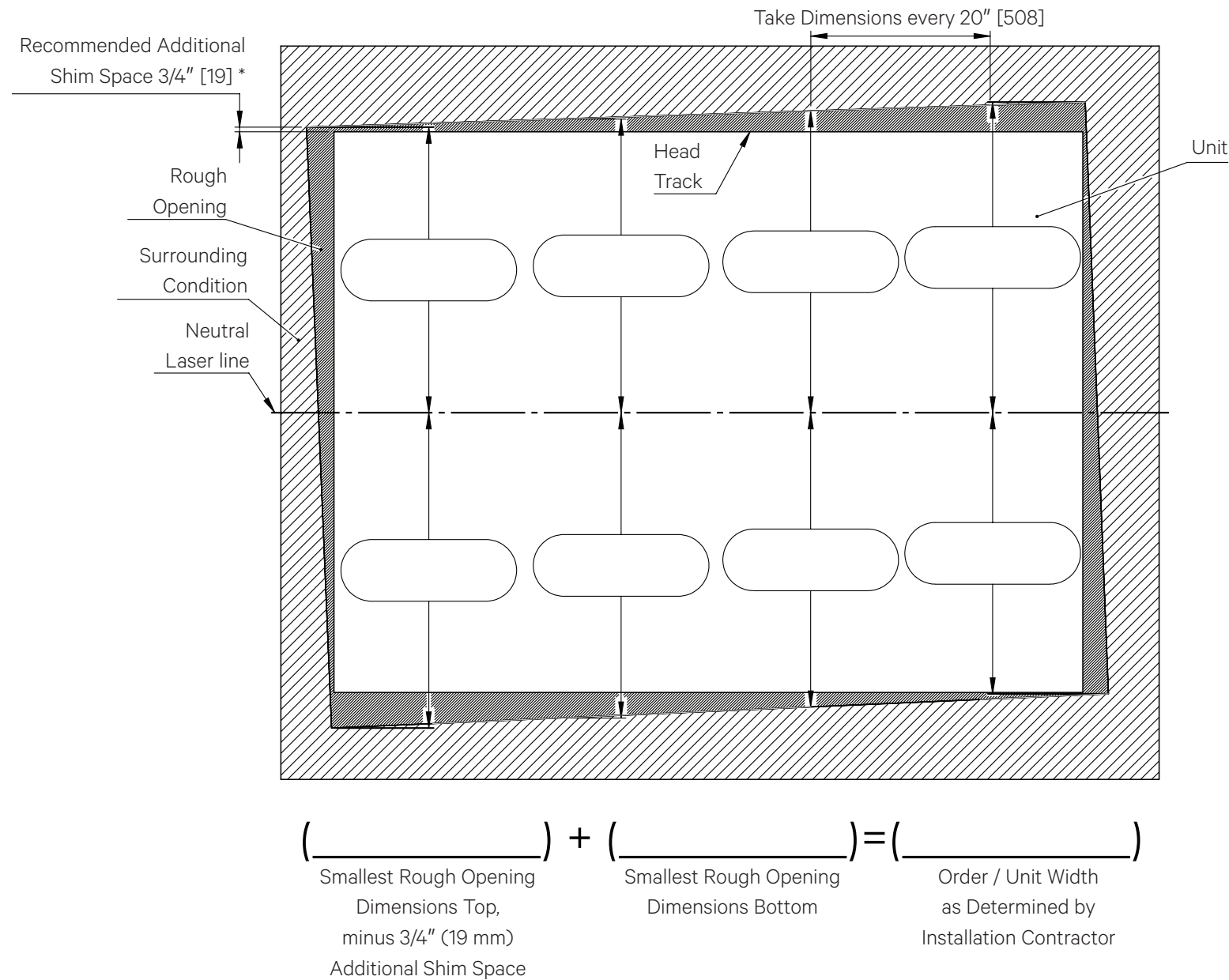


The structural integrity of the header is critical for proper operation. The maximum vertical deflection allowed at the header under full live and dead loads (only dead load imposed after product installation) is 1/4" (6 mm). There should be no vertical live load deflection of the floor. The header, surrounding walls, and floor must also be able to support any lateral loads. The weight of a panel with 1/2" (12 mm) glass is 8 lbs/ft².

# Rough Opening Preparation

Rough Opening Field Survey Vertical Dimensions, Exterior View

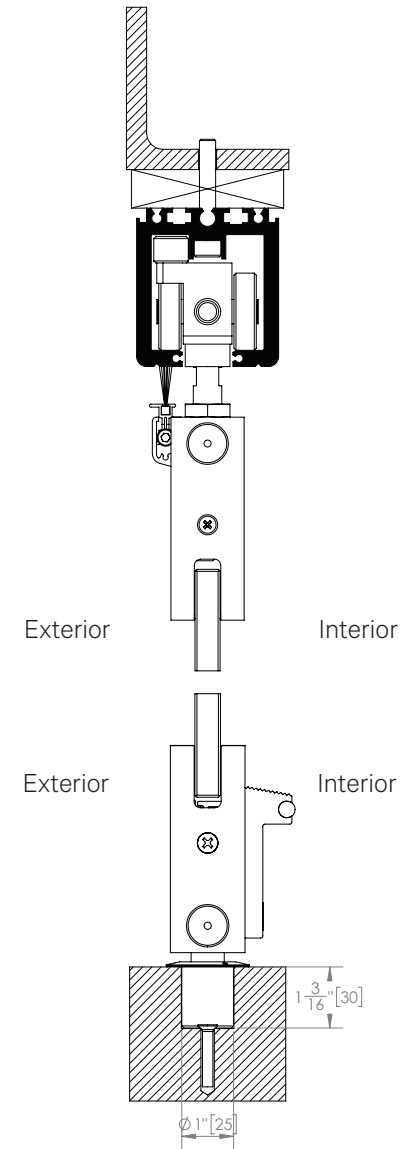
## Rough Opening Field Survey Vertical Dimensions, Exterior View



The structural integrity of the header is critical for proper operation. The maximum vertical deflection allowed at the header under full live and dead loads (only dead load imposed after product installation) is 1/4" (6 mm). There should be no vertical live load deflection of the floor. The header, surrounding walls, and floor must also be able to support any lateral loads. The weight of a panel with 1/2" (12 mm) glass is 8 lbs/ft<sup>2</sup>.

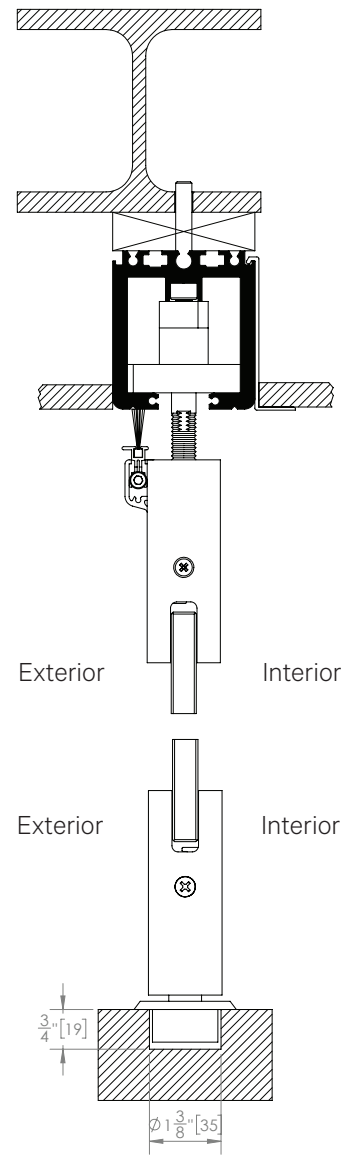
# HSW75 Installation Details

Head Track with L-Bracket



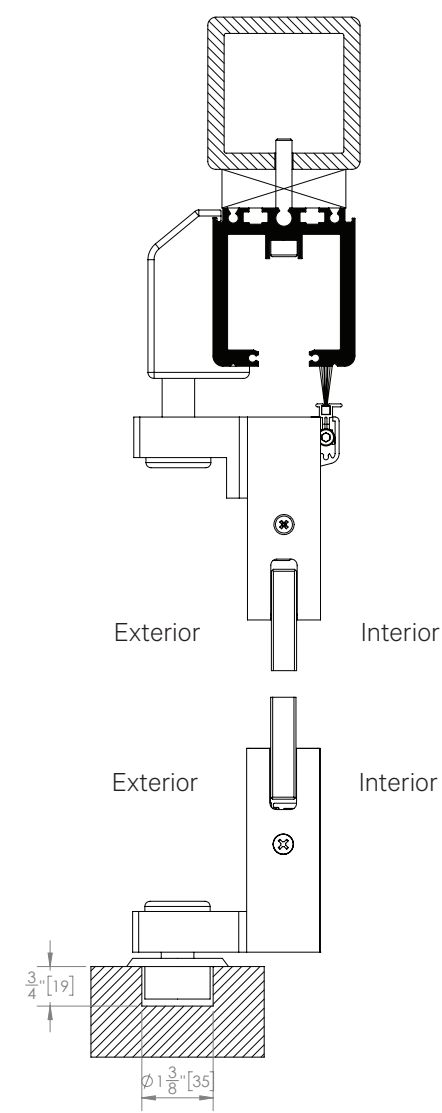
Adjustable Eccentric Floor Socket

Head Track and Suspended Ceiling Support Profile with I-Beam

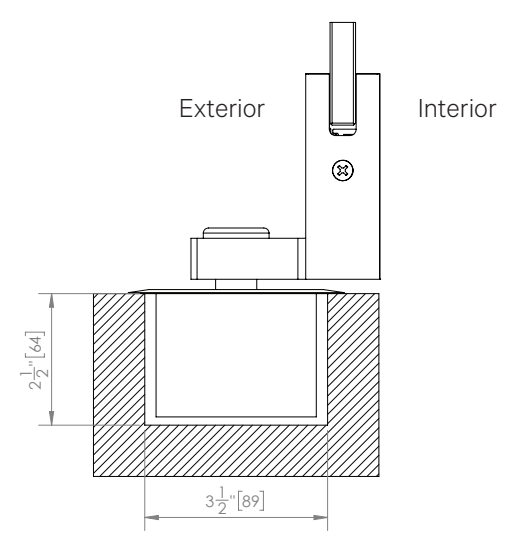


Single Action End Panel with Pivot Point

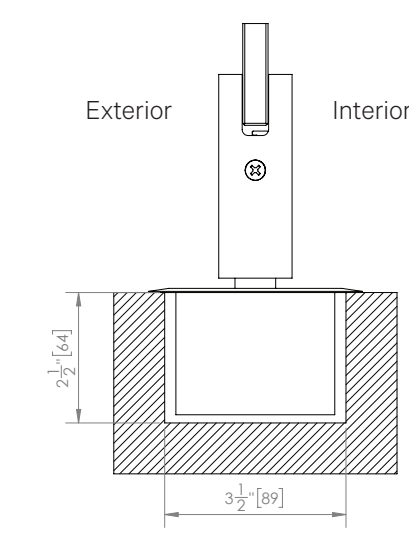
Head Track with Steel Tube



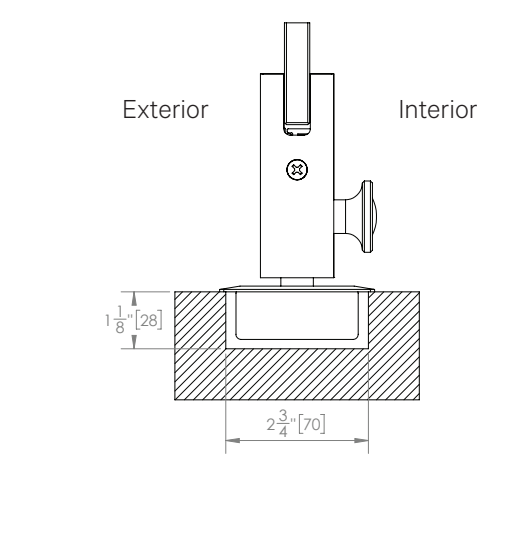
Single Action End Panel with Offset Hinge and Pivot Point



Single Action End Panel with Offset Hinge and Floor Closer



Single/Double Action End Panel with Floor Closer

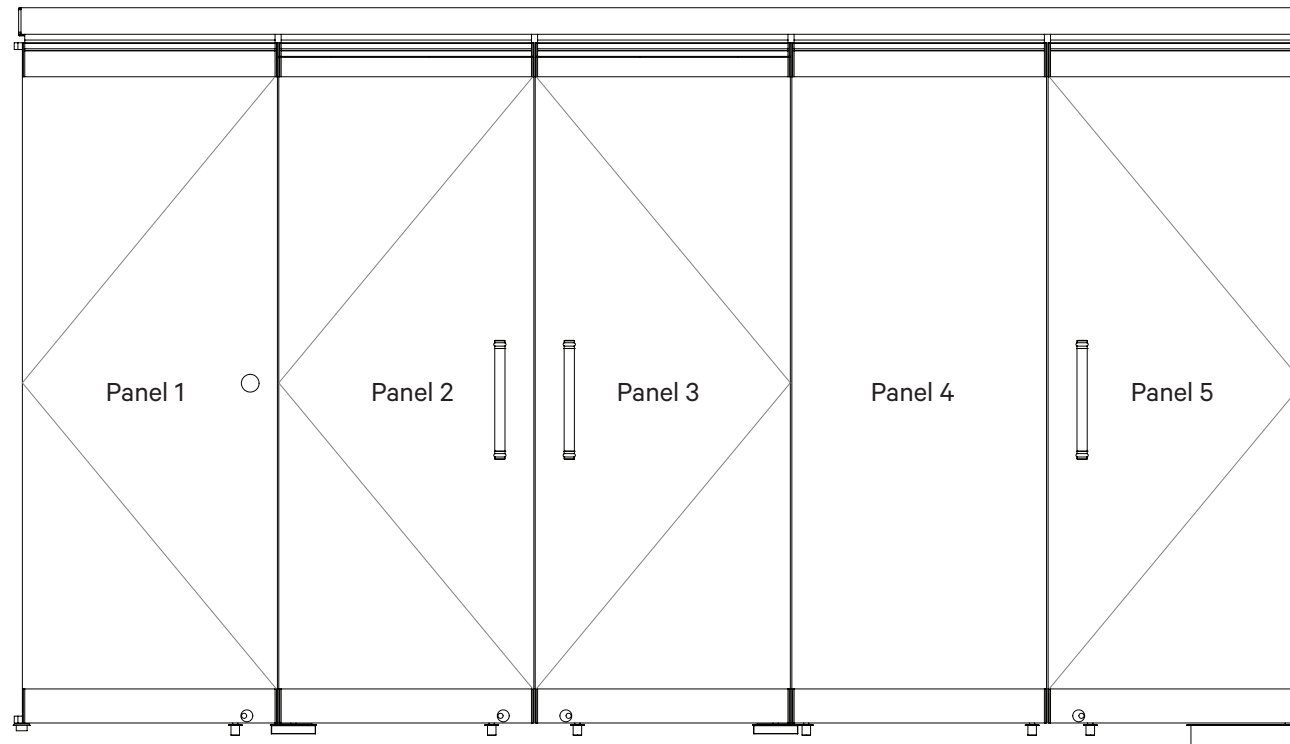


Single Action Sliding Panel with Pivot Box



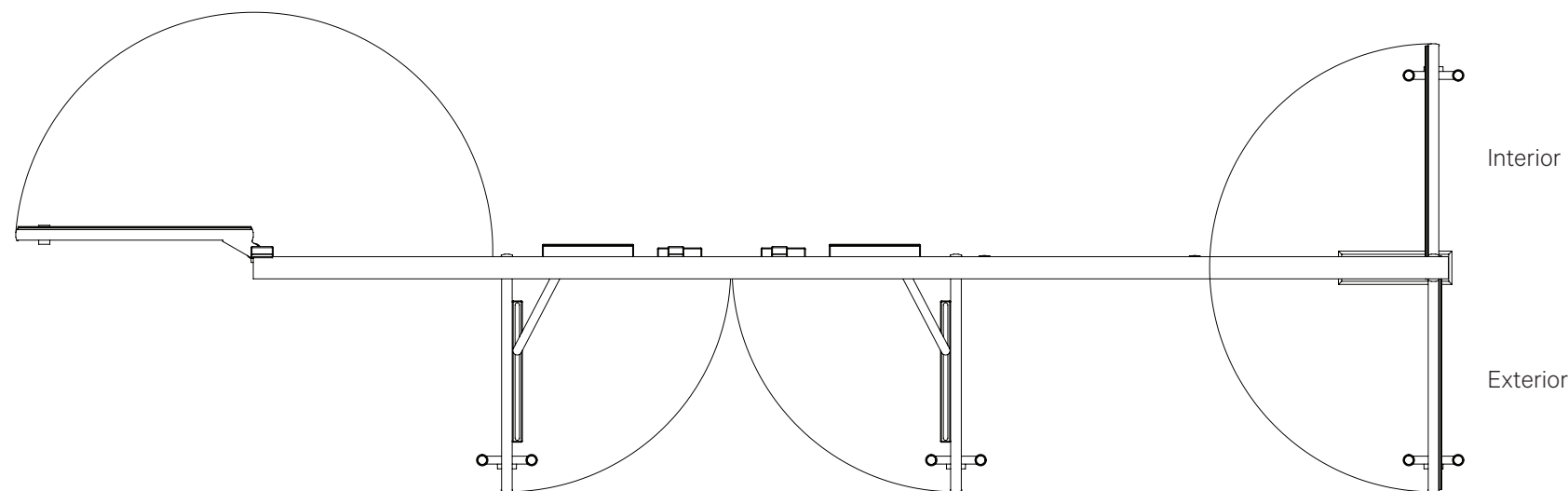
# HSW75 Panel Options

Orientation of HSW75 Product Drawings are shown from the exterior.



View from exterior

Panel #	Option
Panel 1	Single Action End Panel with Offset Hinge and Pivot Point (ATEB)
Panel 2	Single Action Sliding Panel (ATSK)
Panel 3	Single Action Sliding Panel (ATSK)
Panel 4	Sliding Panel (SF)
Panel 5	Single/Double Action End Panel with Floor Closer (PES)





## Recommended Fasteners and Shims

### SELECTION OF APPROPRIATE FASTENERS

Use appropriate screws or other equivalent anchorage devices depending on the adjacent substrate material and construction. Ensure they are corrosion resistant, preferably a suitable grade of stainless steel. Anchorage devices should penetrate or hold sufficiently to the opening to withstand necessary structural loading.

#### General recommendations for different substrates:

**Wood Frame** (minimum specific gravity of G=0.42):

Use #14 (1/4" diameter) wood screws with 2" minimum embedment.

**Concrete (minimum compressive strength of 2000 psi):**

Use 1/4" diameter ITW Tapcons (concrete screws) with 1-3/4" minimum embedment with 1-1/2" minimum edge distance. Alternatively, 1/4" stainless steel screws with expanding anchors may be used.

**Masonry (grout filled block per ASTM C9- with FM=2000 psi minimum):**

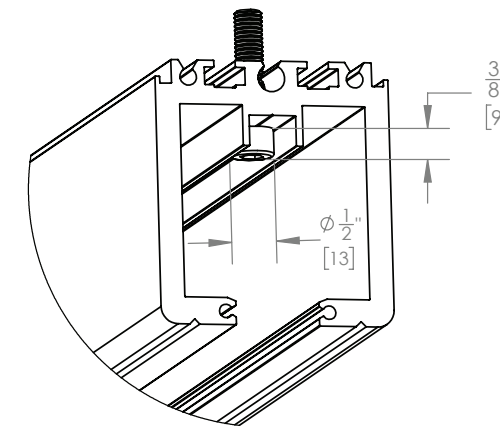
Use 1/4" diameter ITW Tapcons (masonry screws) with 1-3/4" minimum embedment with 1-1/2" minimum edge distance.

**Structural Steel (minimum 1/4" thick):**

Use 1/4" diameter self-tapping steel screws. Another option is to use type 410 stainless steel self-tapping screws with pre-drilled pilot holes. Another option is to use 1/4" diameter SAE 2 bolts in pre-drilled holes.

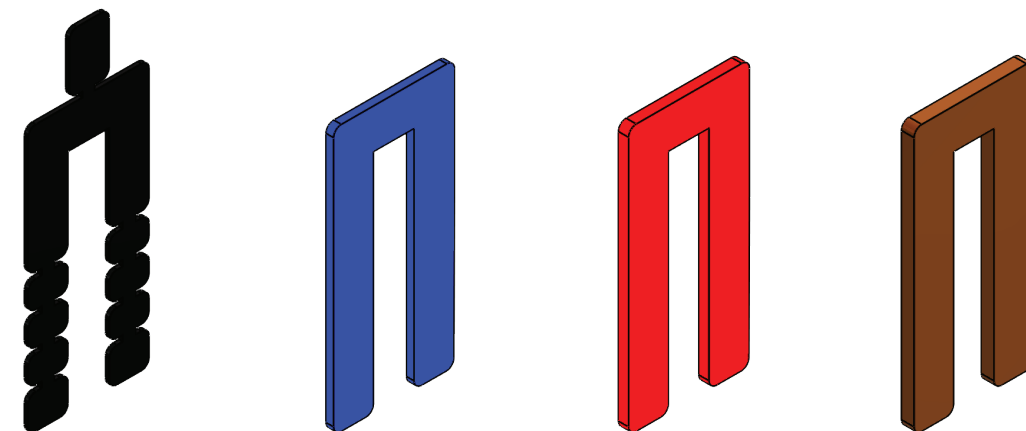
**IMPORTANT: Steel studs or box beam headers are not adequate for proper support of our systems and will not meet the deflection criteria of 1/4" (6 mm) cumulative as described earlier. If steel studs are used, they must be backed by 3" (76 mm) of solid continuous wood to attach to. Please check with your local structural engineer or architect.**

### Recommended Fasteners



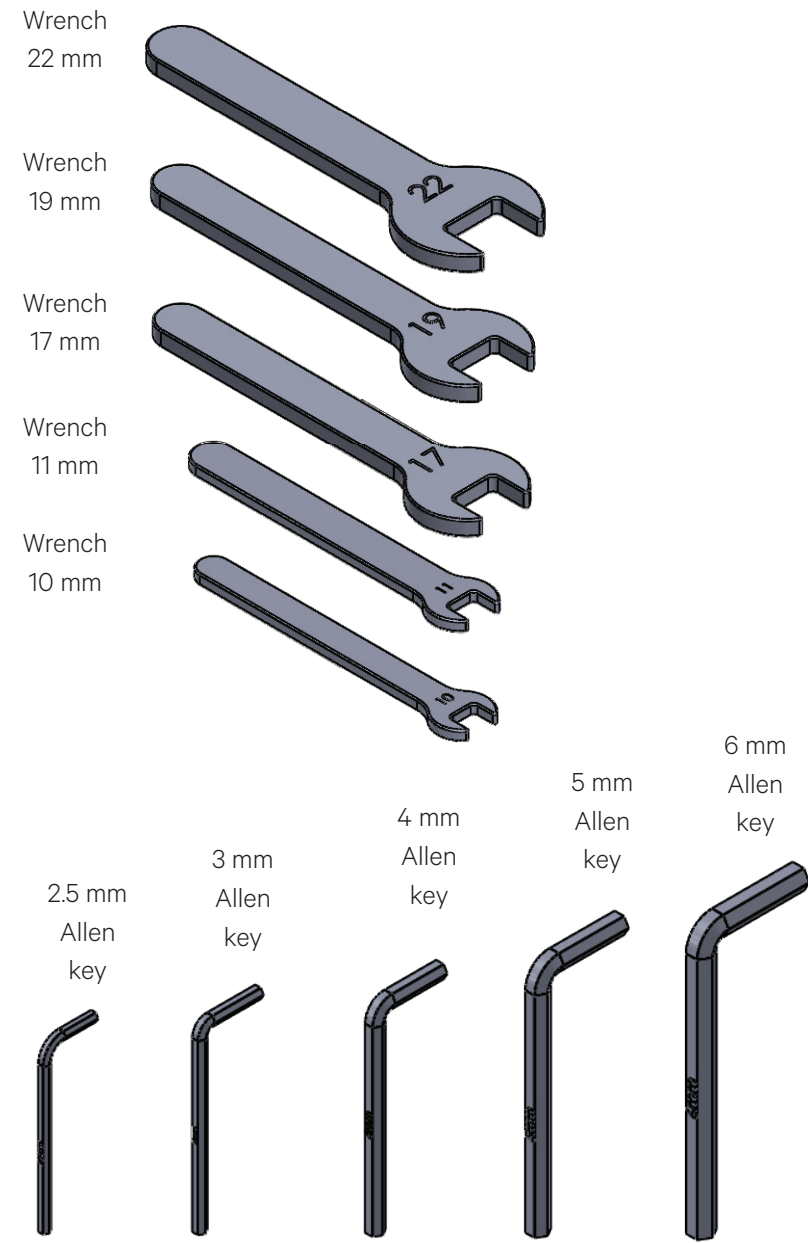
### SELECTION AND USE OF INSTALLATION SHIMS

Use only hard plastic 'horseshoe' style glazier's shims that are capable of sustaining the applicable loads. Wood or rubber shims are NOT appropriate. Shims are to be installed between the system frame and the building structure at every fastener location to keep the frame components straight, level, and plumb, without any twisting.

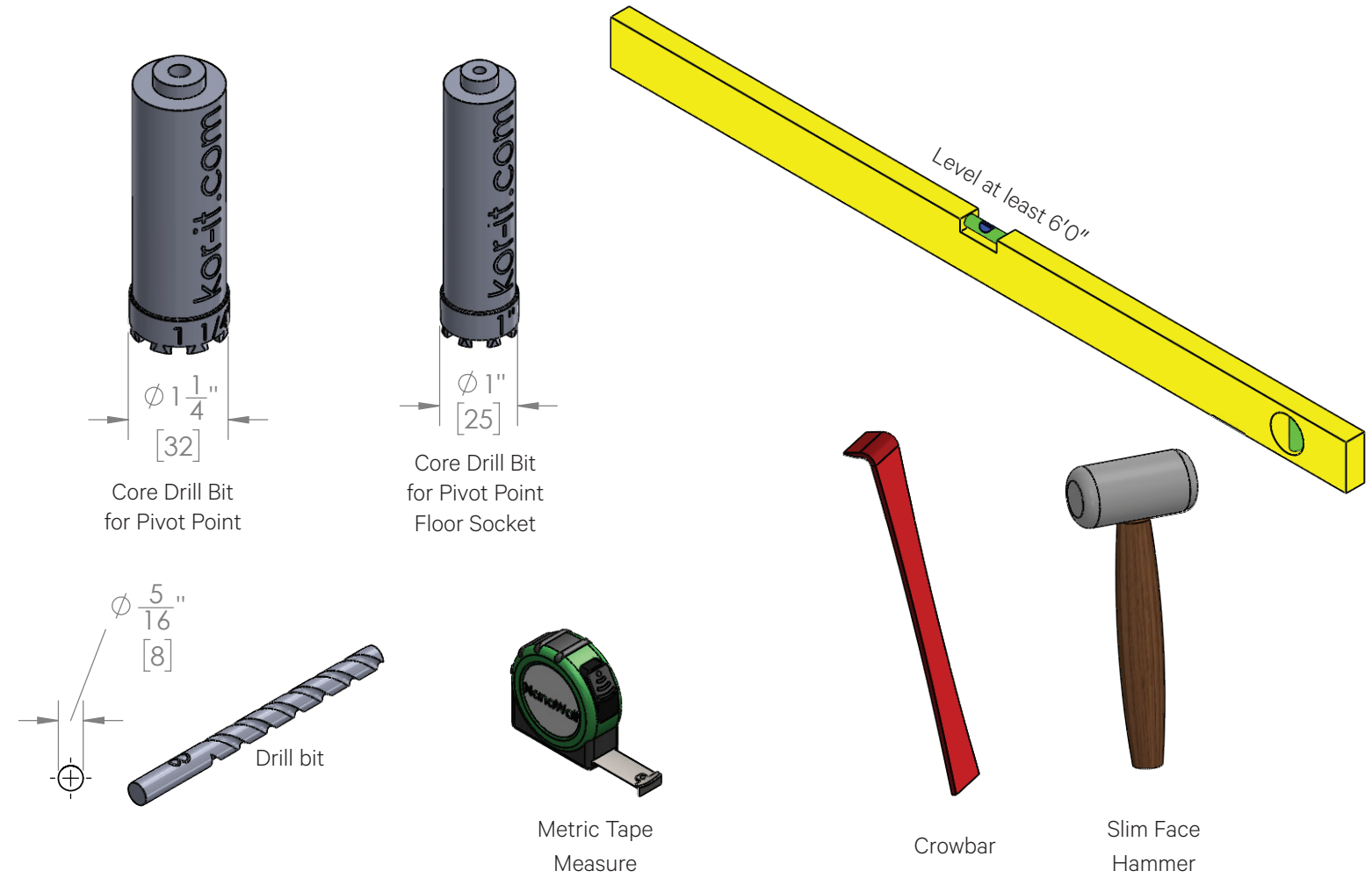


# Recommended Tools

## Metric Tools Supplied in Accessory Box

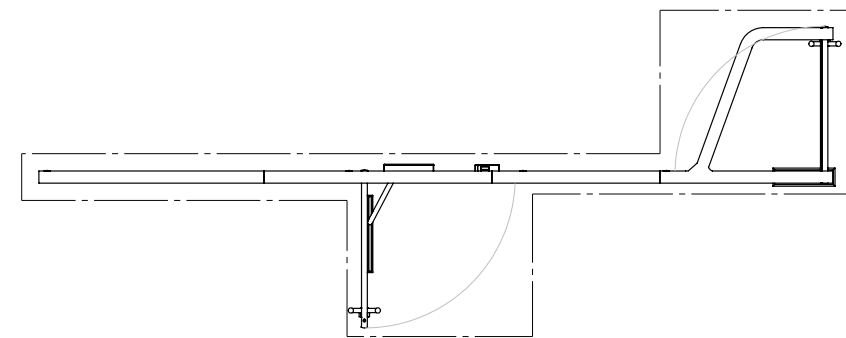
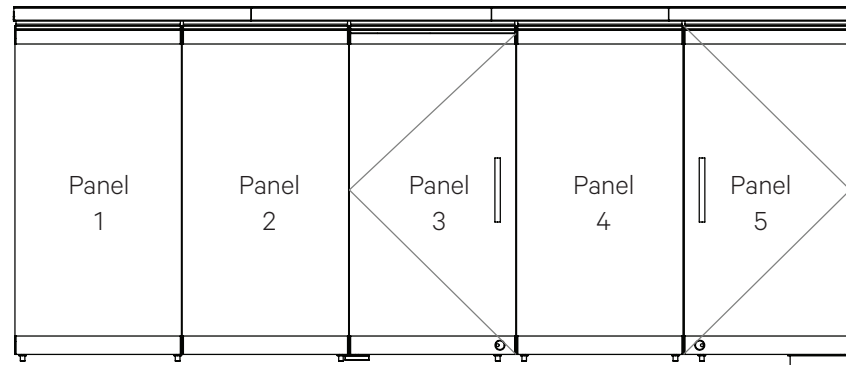


## Required Additional Tools



## Generic Installation Instructions

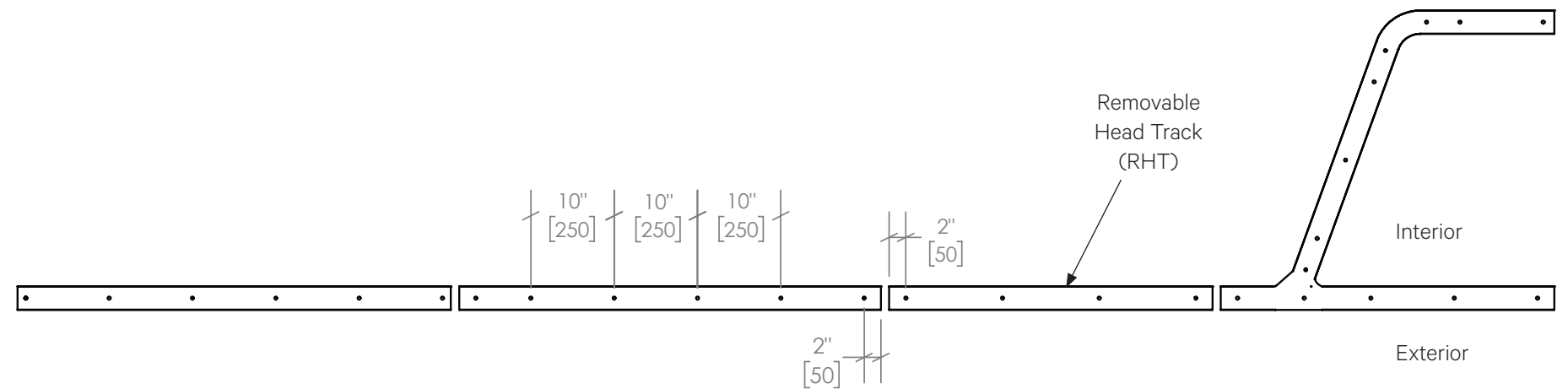
This manual is based on the installation of a 5 panel system in the below configuration as viewed from the exterior.



**Finish flooring in the path of the sliding panels, to and from the stacking area, and in the path of any swing panels must be level and low at all points to not interfere with panel movement.**

### HEAD TRACK IN KNOCKED DOWN CONDITION

(supplied in knocked down condition)



#### HEAD TRACK COMES PRE-DRILLED.

NanaWall does not provide nor take responsibility for sizes, location, or frequency of perimeter fasteners.

Please refer to the Custom Product Drawings for your specific project.

The correct fastener spacing in the support structure within the opening and the stacking area depends on substrate material, design, wind load pressures (if exterior) of project, panel height, and other requirements of the project. All anchoring details and requirements should be determined and verified by the project structural engineer. Please pre-drill any additional anchorage holes as needed.

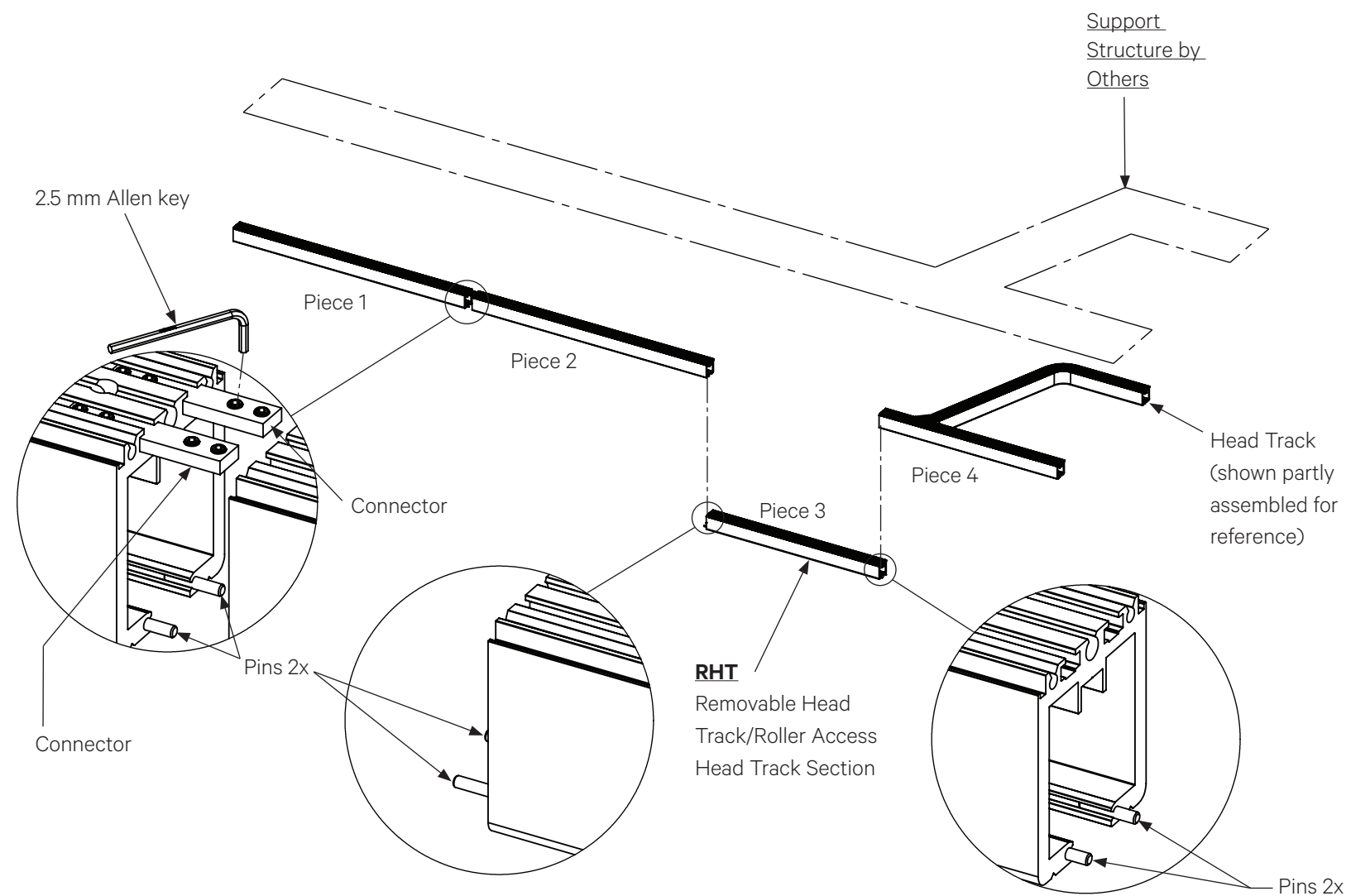
#### 1 Pre-drilled anchorage holes.

1. The head track is pre-drilled in the factory with anchorage holes at spacing's of about 10" (250 mm) for 5/16" (8 mm) diameter fasteners.
2. The spacing of anchorage devices in the parking bay should be every 4" (102 mm) and in the stacking route approximately every 10" (250 mm). Please pre-drill any additional holes as needed.

# Head Track Installation

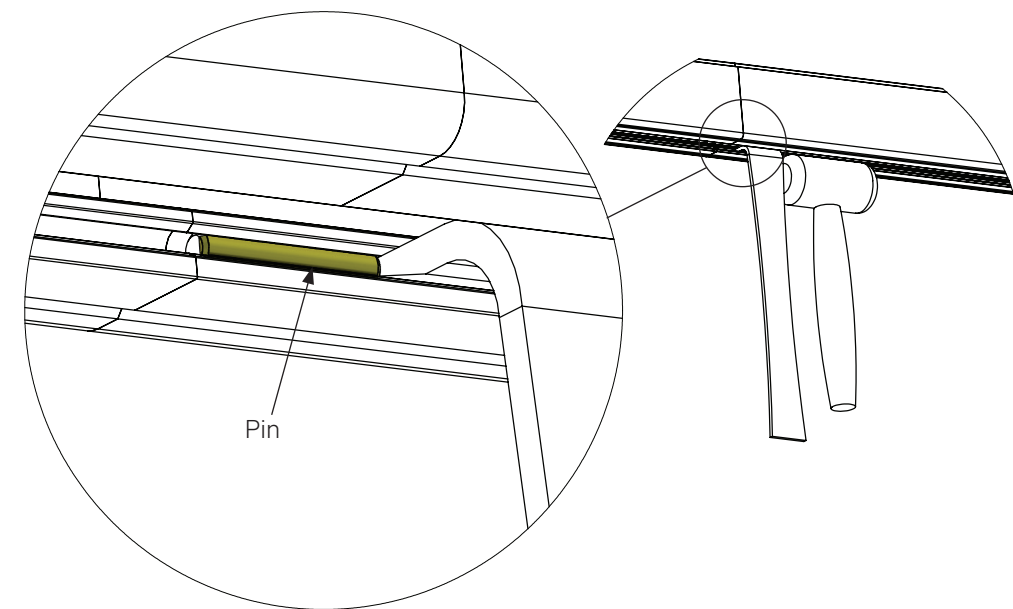
## ASSEMBLY OF HEAD TRACK

The key to having a properly installed and operating HSW75 system is to install a perfectly level head track at the correct height from the level finish floor.

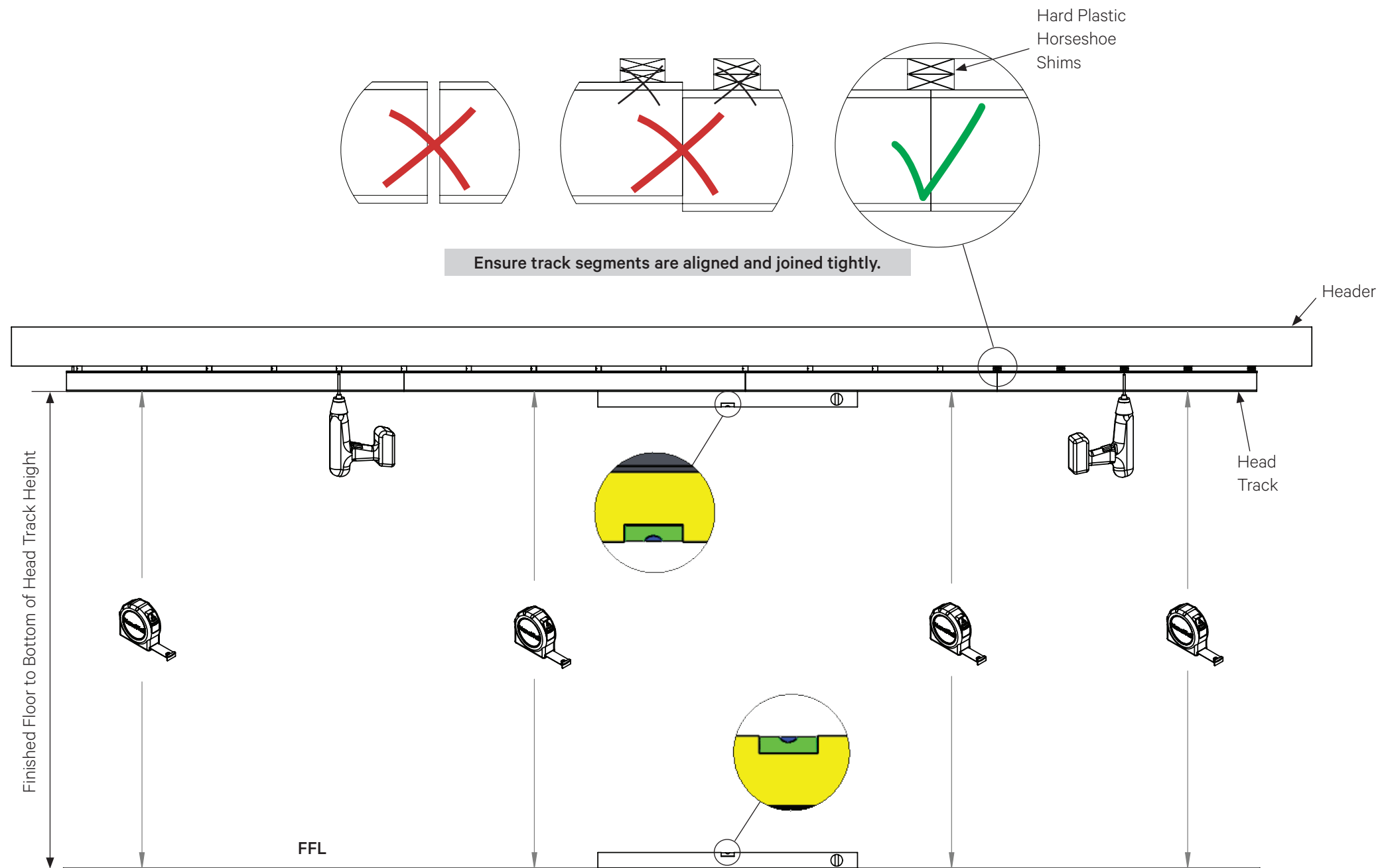


### 1 Assemble the head track.

1. Look for the labels on the different head track segments and set them on the floor as per the layout of the head track.
2. Attach as many of the head track pieces together that could be supported and installed as one piece.
  - Secure with the connectors and set screws provided.
3. Ensure that the correct angles between segments are maintained and that the transitions between the track segments are perfectly aligned and smooth.
4. The roller access head track section is a removable section in the head track (RHT). *This section will need to be removed later when the panels are installed.*
  - Secure RHT into place with two pins on each end. Tap into place using a crowbar and mallet.
5. For all anchorage options, set the assembled part of the head track into the rough opening at the proper position relative to the support structure and the finish floor.
6. Support the head track temporarily in a safe manner.



**HEAD TRACK SHIMMING AND ANCHORING**



**2 Insert the shims.**

1. Place hard plastic horseshoe shims tightly at every mounting point between the head track and the header.

**3 Anchor the head track.**

1. Anchor the head track with appropriate fasteners through the pre-drilled holes or as needed.
2. Assemble and install other segments of the head track in a similar manner.

**IMPORTANT:** Adjust each anchorage point as needed to ensure the head track is absolutely level, joined tightly, aligned, and not twisted. Use a transit/laser and other similar precise measuring equipment to make these determinations.

Ensure no shims are forced to ensure that the head track is not bowed. If head track is not installed properly, this will cause the rollers to wear out prematurely. This damage to the rollers is not covered under the warranty.

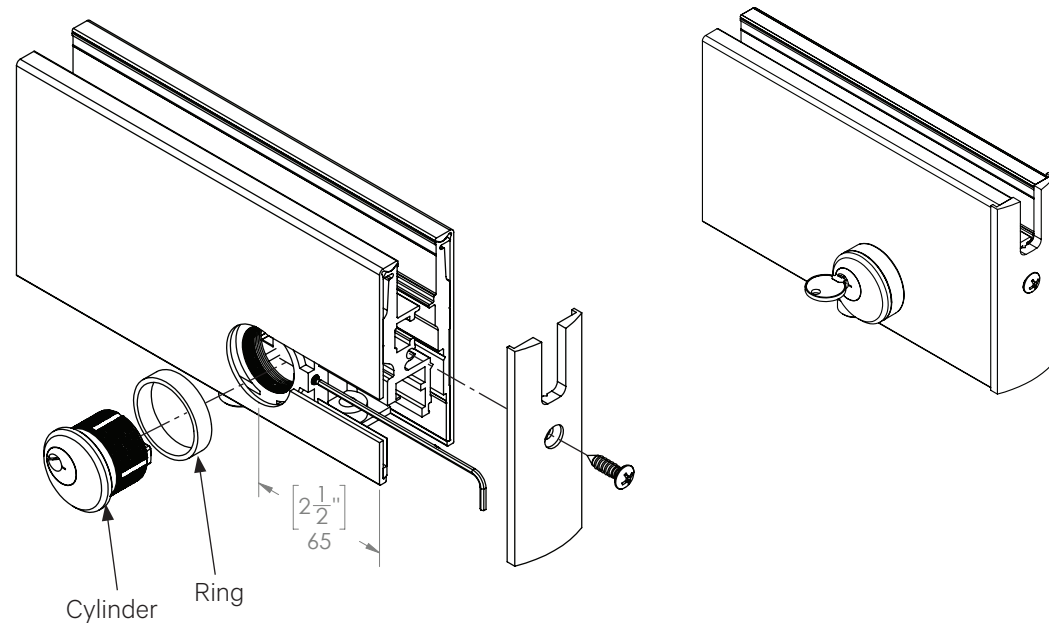
**Ensure that all surfaces of the head track are clean and free of any debris, especially cuttings from drilled holes.**

**Do not attach anything from the side against the head track.**

**Do not drill any holes for sockets, pivot points, and floor closers, at this stage!**

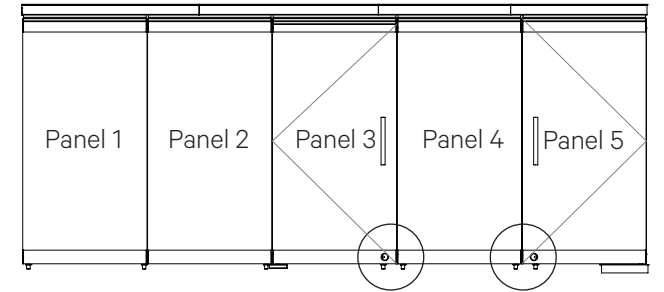
# Mortise Key/Key Cylinder Installation

Supplied: Mortise locking mechanisms are supplied with temporary 1 1/8" (29 mm) silver 5 pin mortise cylinders with Yale cam key/key.

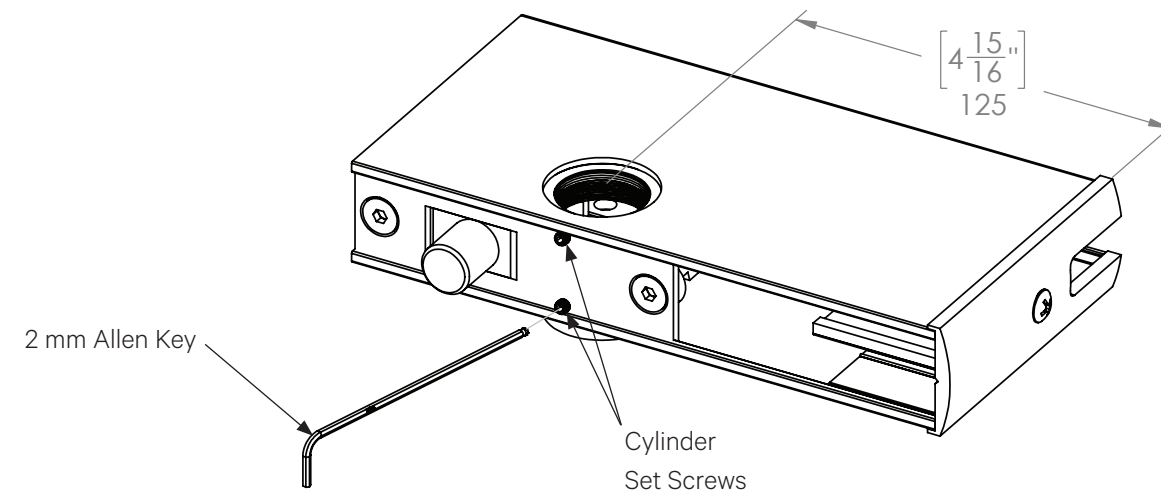


**1** Install mortise cylinder into rail.

1. Remove end cap.
2. Loosen cylinder set screws.
3. Slide the ring over the interior (or exterior) cylinder.
4. Insert the key (for threading assistance) and thread the cylinder into the rail.
  - **Do not over tighten the cylinder, as this can break the key.**
5. Once fully tightened, ensure the key can easily engage/disengage the locking bolt.
6. Ensure the face of the cylinder housing is flush with the face of the ring.
7. Follow steps 1 - 5 for the other cylinder, if applicable.
8. Ensure both cylinders are fully tightened before re-securing the cylinder screws.
9. Fully tighten the cylinder set screws using an Allen key.



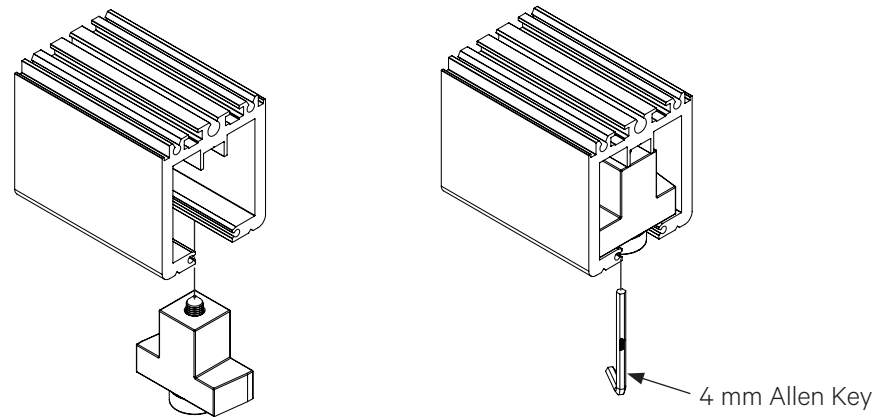
View from bottom of cylinder.



**IMPORTANT:** On some applications the key cylinder is offset 4 15/16" (125 mm). Take note of the specific cylinder location on the product drawings. A cylinder which is offset 4 15/16" (125 mm) can only be installed from the underside of the panel. This means the cylinder must be installed prior to hanging the panel.

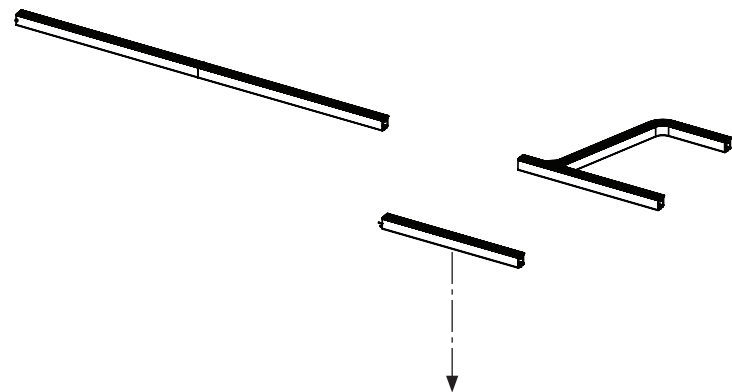
# Panel Installation

## INSTALLATION OF STOPPER AND SLIDING PANELS

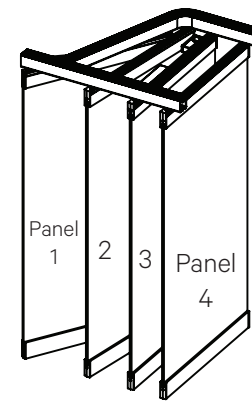
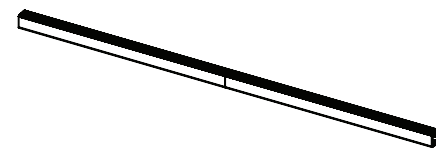


### 1 Insert stoppers into head track.

1. Before inserting the panels, add stoppers at the very ends of the head track to prevent panels from coming off the track.
2. Insert into track oriented as shown above and rotate inside track.
3. Secure with an Allen key.



### 2 Remove the roller access head track section (RHT).

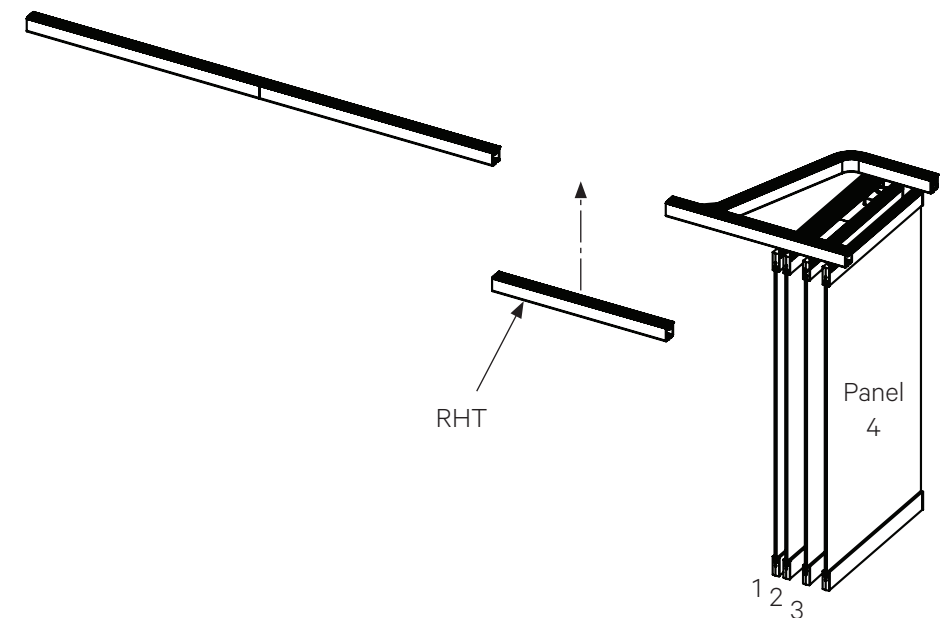
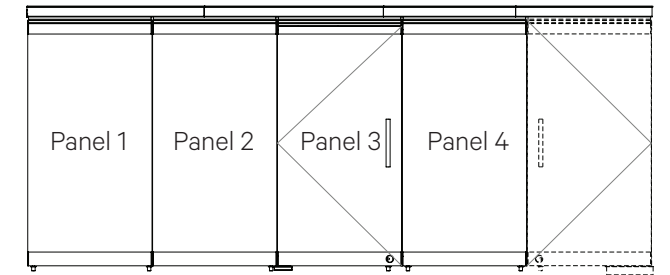


### 3 Installing hanging panels.

1. Check all the rollers on all the sliding panels. Ensure all the locking nuts are securely tight.
2. Determine the interior/exterior side of the panels and install them such that they are facing the correct direction. (Refer to Panel Installation Sequence section for reference.)
3. Hang sliding panels by inserting each panel into the opening of the head track in the proper sequence as indicated in the product drawings.
4. Temporarily stack them in the parking bay.

**IMPORTANT: DO NOT INSTALL ANY SINGLE /DOUBLE ACTION END PANELS (NON-SLIDING) AT THIS STAGE.**

**Do not make any adjustments on the rollers at this stage.**



### 4 Reinstall removable head track.

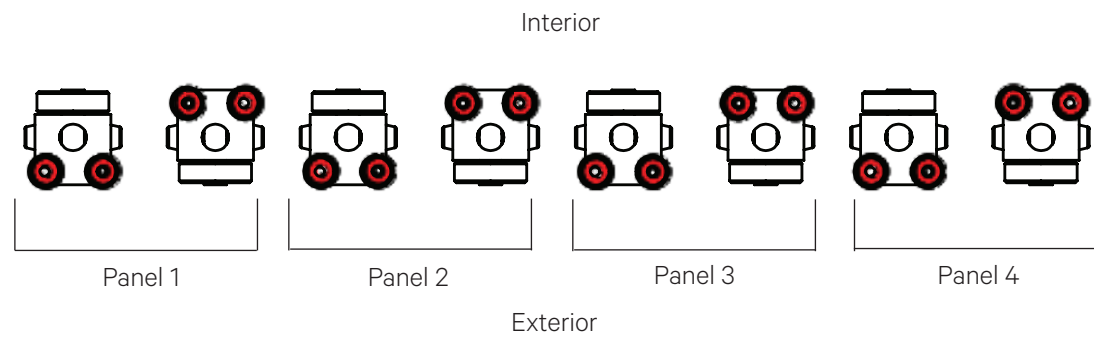
1. After inserting all sliding panels, reinstall the removable head track (RHT).
2. Ensure the joints are properly aligned. (Refer to Head Track Shimming and Anchoring section for reference.)

**Do not drill any additional holes for sockets, pivot points, and floor closers, yet!**



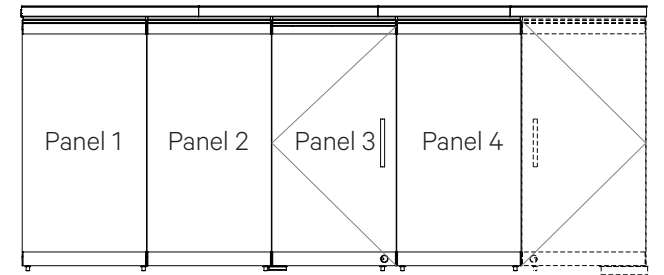
**INSTALLATION SEQUENCE**

2D Drawing Shown from Overhead

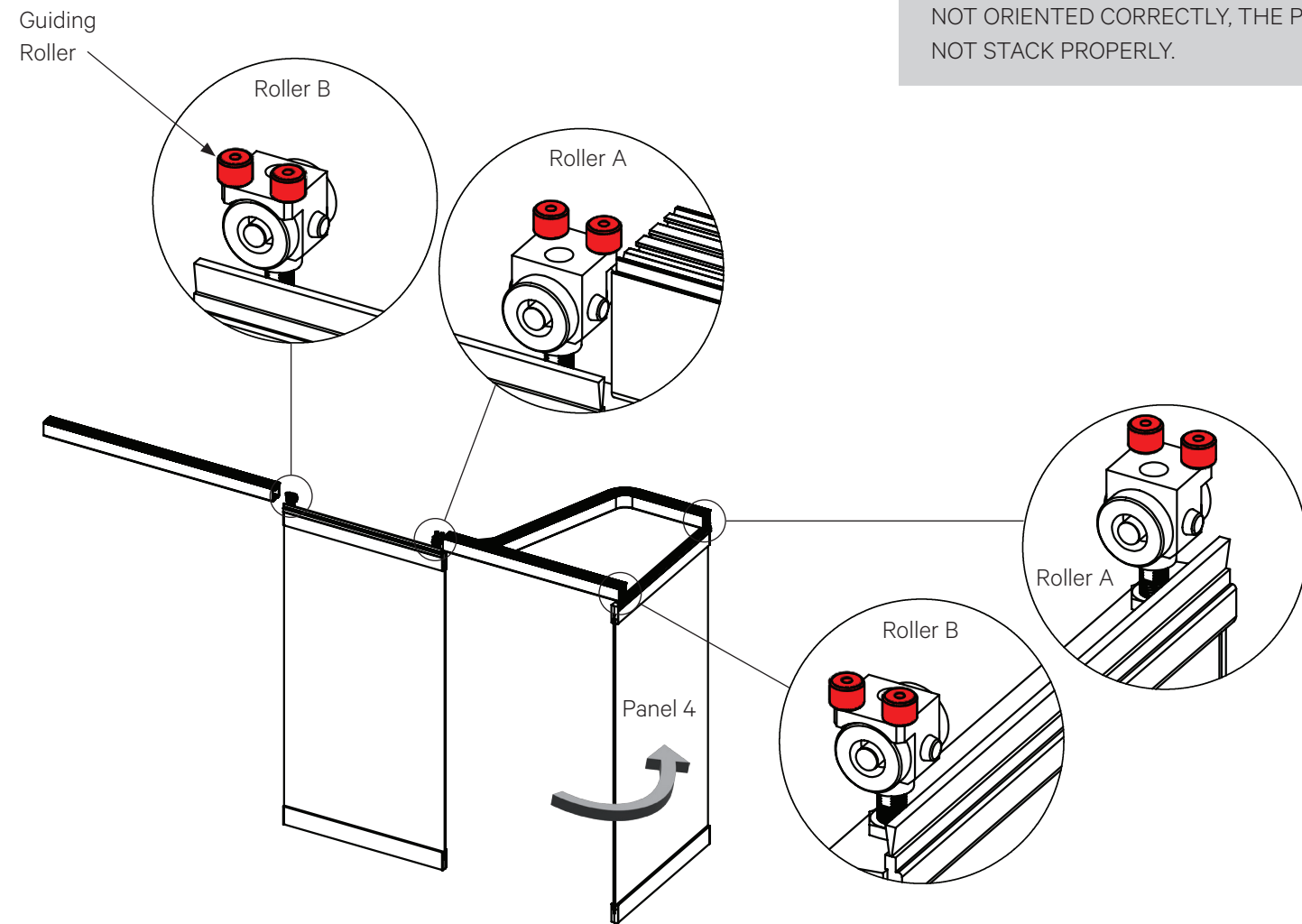


**1 Guide roller orientation.**

1. Orient the guiding rollers on each panel as shown above.
2. Ensure the orientation of the guiding rollers of the carrier, on each panel, is on the proper side. See the custom product drawings for the correct orientation (straight line with rollers on top of the orientation).

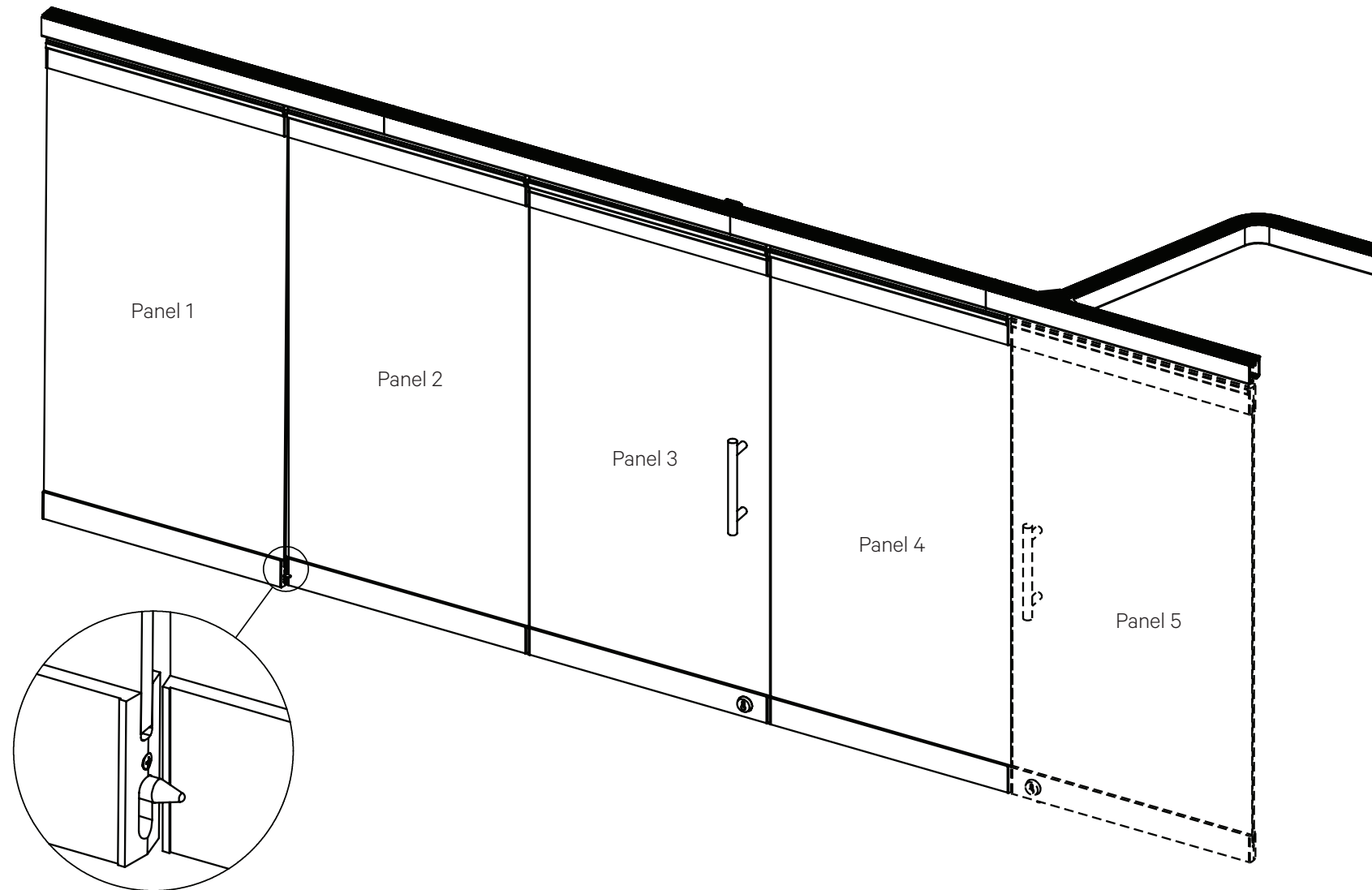


**IMPORTANT:** IF THE GUIDING ROLLERS ARE NOT ORIENTED CORRECTLY, THE PANEL WILL NOT STACK PROPERLY.



# Panel Alignment and Adjustment

## PANEL ALIGNMENT

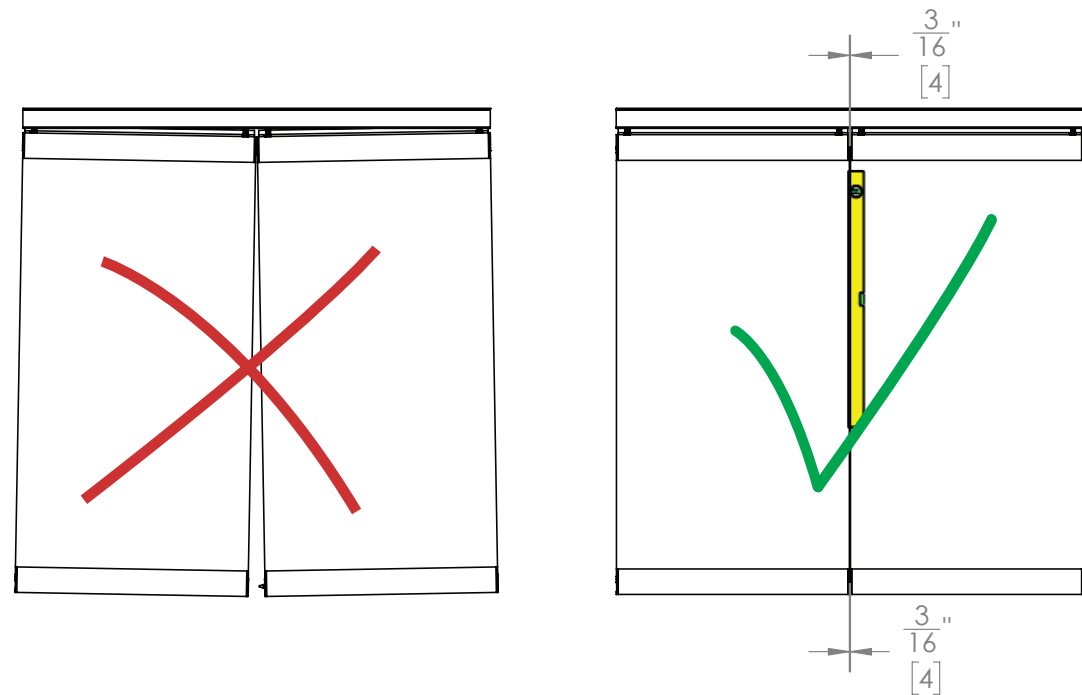


Offset Panels before Adjustment

**1 Adjust the panel.**

1. After inserting all the sliding panels, slide them to the correct closed position and offset them to one another so that any side protruding locking mechanism is not in the way.
2. Ensure the single/double action end panel will fit within the remaining opening.

## PANEL HEIGHT ADJUSTMENT



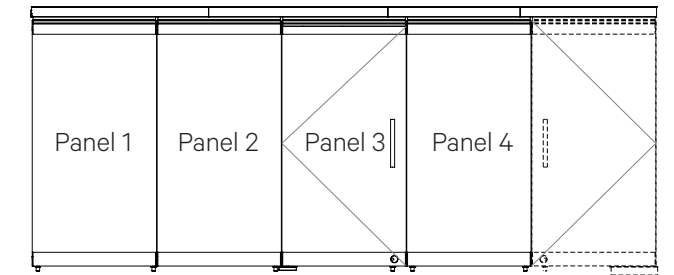
### 1 Check that all panels are plumb.

1. Check if all panels are vertically straight and if enough space is left for the single action end panel (non-sliding).
  - Between panels there should be an even gap of about 3/16" (4 mm) from top to bottom.
  - The horizontal spacing between the bottom of a panel and finish floor should be approximately 1/4" (7 mm) consistently across the width of the unit.

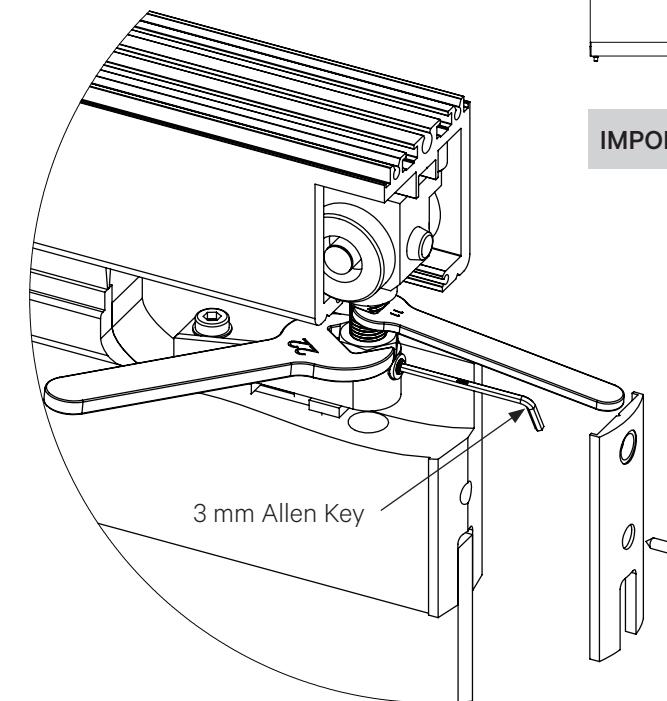
Gap differences may be due to the head track not being absolutely level. A difference of 1/16" (2 mm) or less in the level of the head track between the two edges of a panel can cause a 1/4" (7 mm) shift of the panel from the vertical position, enough for a panel to not close properly.

### 2 Adjust the gaps if necessary.

- Option 1: adjust the head track by removing or adding shims above the head track as needed.
- Option 2: adjust the rollers. **The rollers on the panels are normally set from the factory to have a gap of 1" (25 mm) from the bottom of the head track to the top of the top rail.**



**IMPORTANT:** Ensure the head track is perfectly level.

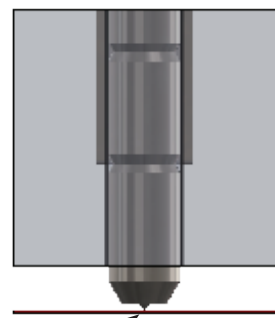
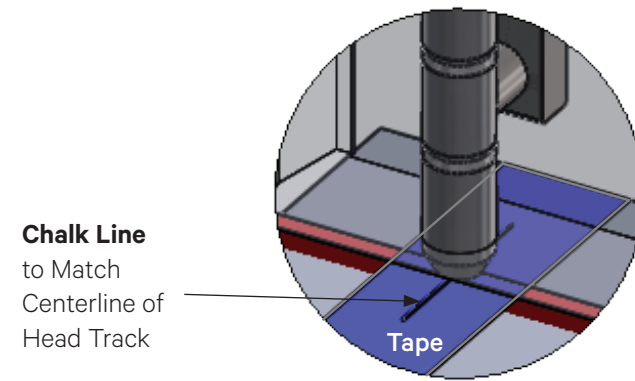


### 3 Adjust panel height.

1. Remove the end cap on the side of the roller of the top rail and **loosen the set screw**.
2. Place wrench on the flat part of the bolt that is located near the bottom of the roller with the 11 mm open end wrench and loosen the nut with a 22 mm open end wrench. Adjust the height using an 11 mm open end wrench.
  - Counter-clockwise rotation = less floor clearance
  - Clockwise rotation = more floor clearance.
3. After final adjustments securely tighten down the nut first and then the set screw to keep the bolt/axle from turning loose.
4. After adjusting all sliding panels, measure the width for the single action end panel (non-sliding) again and ensure it fits into the opening. If necessary use the stopper in the head track to adjust the dimension.
  - **The stopper on the inside of the head track at the end of the plane of opening should be touching the rollers and is used as a reference point on that side of the overall width of the unit.**

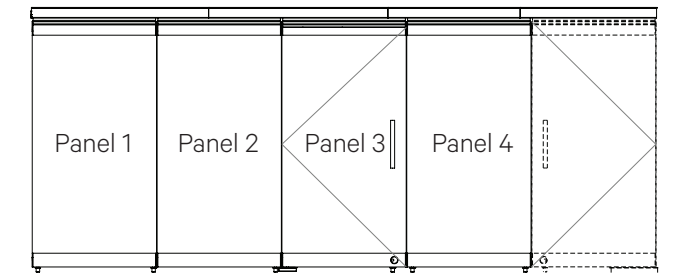
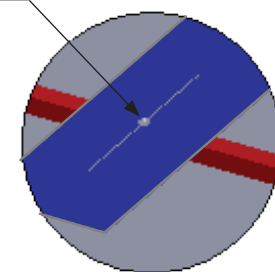
# Floor Socket and Pivot Box Installation

## FLOOR SOCKET AND PIVOT BOX MARKUP



Center Point

Center Point Mark

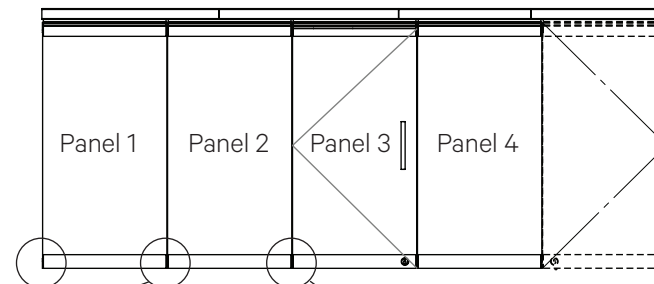


### 1 Floor socket and pivot box markup.

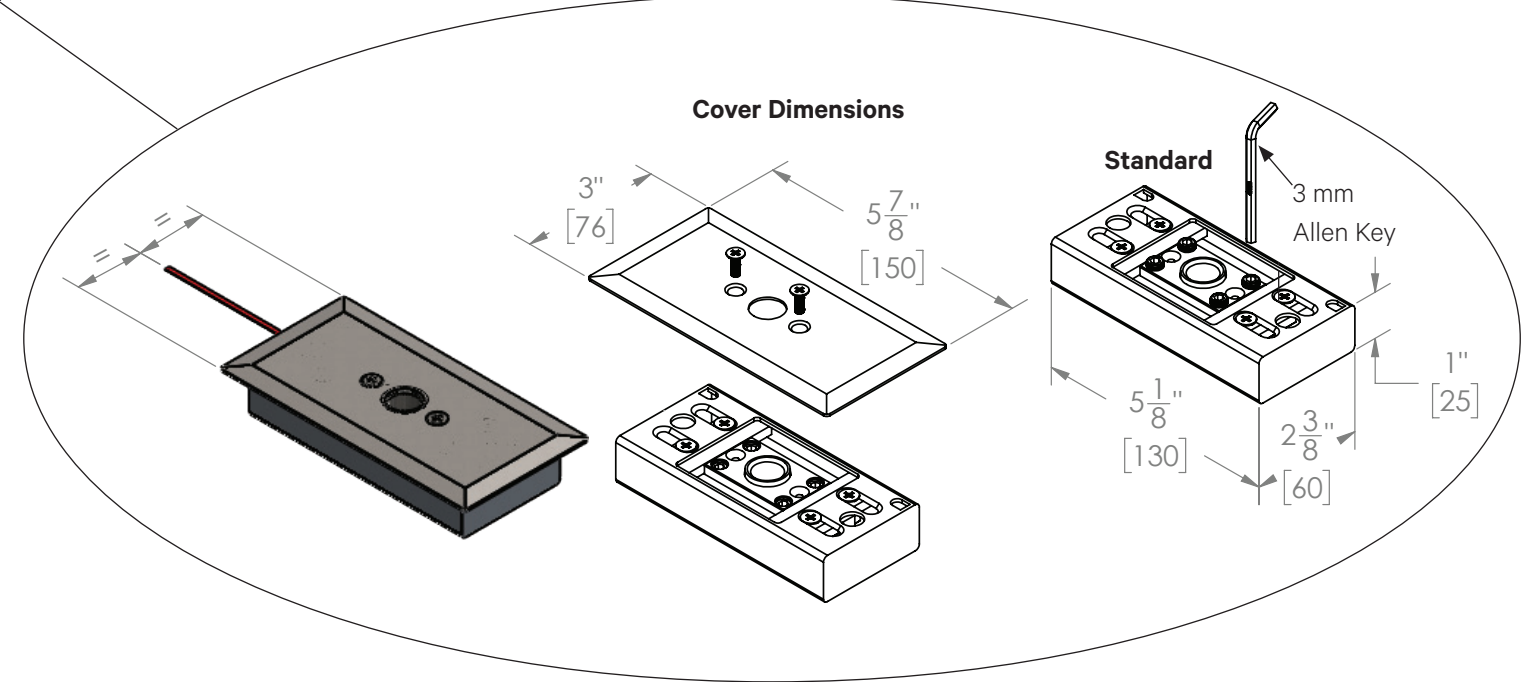
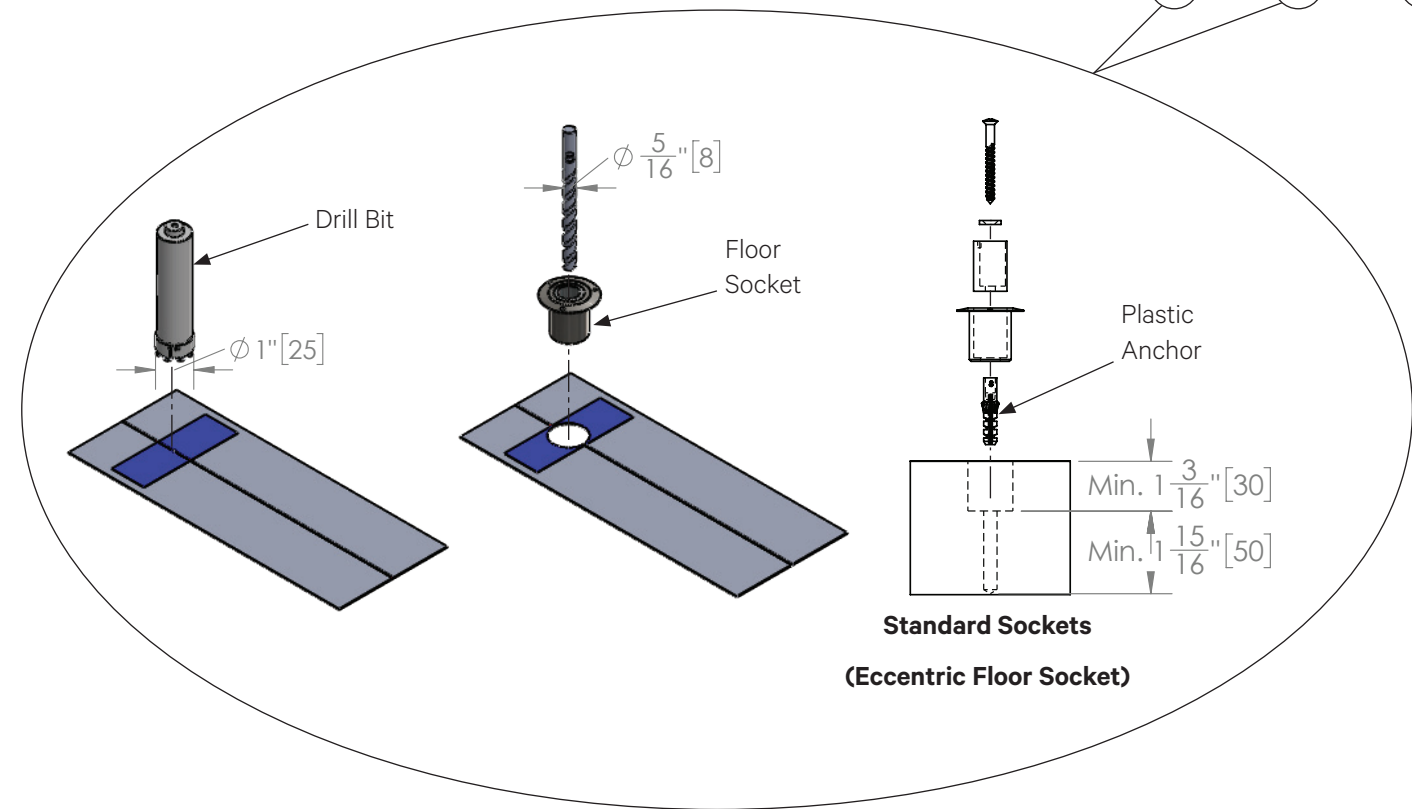
**All holes for pivot points and floor closers must be made in precise locations in the floor.**

1. With a plumb bob or laser, find the centerline of the head track and transfer that mark to the floor on each end of the opening.
  - Mark that centerline on the floor with a chalk line.
2. Close the unit such that the panels are in the correct closed positions by offsetting them to one another so that any side protruding locking mechanism is not in the way.
  - Ensure the panels are straight and the correct 4 mm gap between panels is maintained.
3. Start with the panel furthest away from the parking bay and add five (5) layers of blue masking tape underneath the approximate location of the locking bolts.
4. Slowly and carefully engage the locking bolt to create a divot in the blue masking tape.
5. Draw a perpendicular line through the divot mark, crossing the chalk line.
  - This divot will be the drilling point for the center of the socket hole.

**FLOOR SOCKET AND PIVOT BOX INSTALLATION**



**NOTE:** The pivot box will be installed parallel for a single action sliding panel (ATSK) within the plane of the opening and perpendicular when facing a wall.



**2 Floor socket installation.**

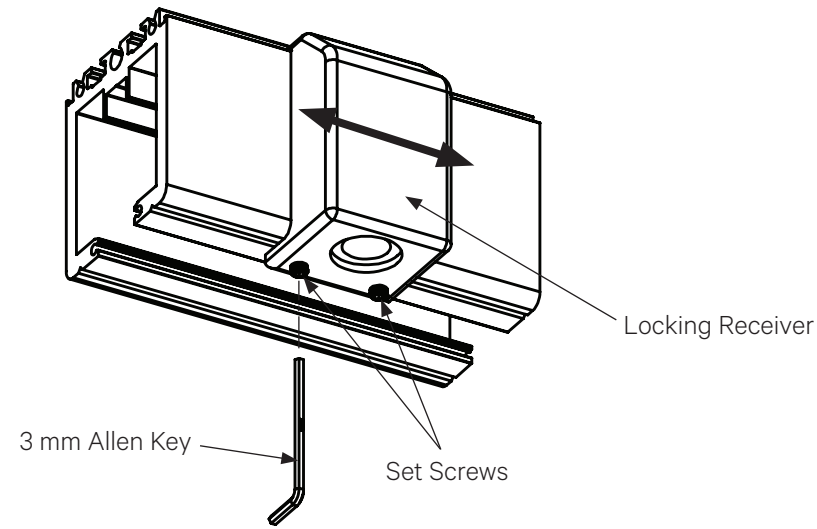
1. From the custom product drawings and the locking type on the panels, drill the appropriate size hole for the supplied plastic anchor.
  - If concrete, use a diamond core drill bit with the proper diameter size.
2. Insert the plastic anchor and fasten the socket into place.

**3 Pivot box installation.**

1. Cut out the appropriate space needed per the dimensions in the drawing above.
  - Use a chisel or chipping hammer to remove material, as needed, to allow the pivot box to fit properly and be level to the finished floor height.
2. Place the pivot box into the prepared hole and check for level.
  - If necessary, shim under the box to make it level in all directions.
3. Anchor two opposite corners of the box and double check with the panel locking bolt to ensure it's in the correct location.
4. Once confirmed, fully anchor the box.
5. If adjustment of the center point of the pivot box is necessary, loosen and then re-tighten the Allen screws to secure the box in its proper location.

# Locking Receiver Installation for Single Action Sliding Panel

Locking Receiver Installation

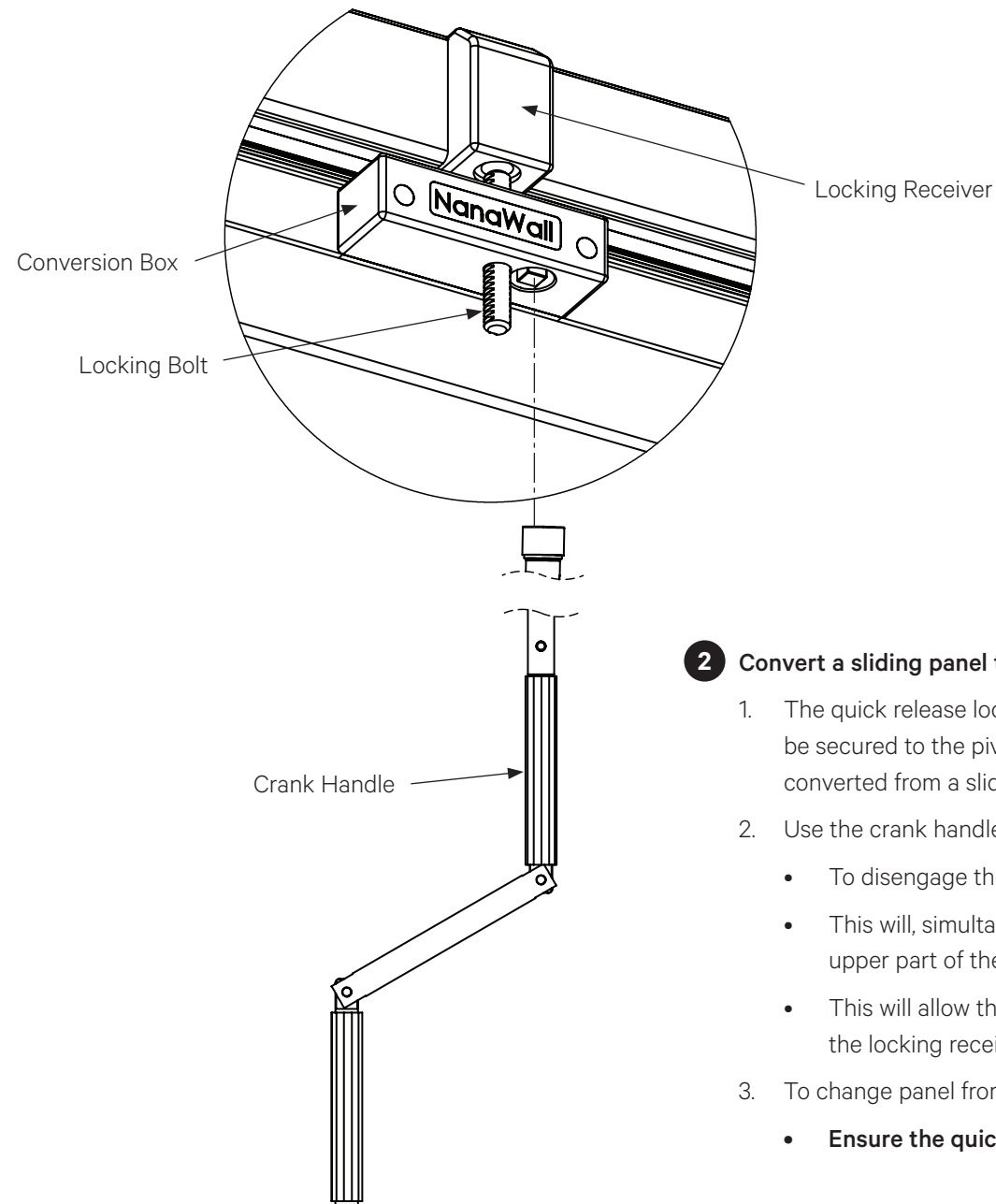


Install the locking receiver on the side of the head track by aligning it with the conversion box and the locking bolt of the single action sliding panel.

**1 Install the locking receiver.**

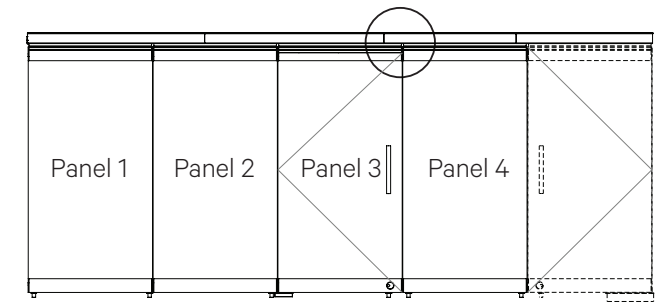
1. Ensure the locking receiver is aligned to the locking bolt of the conversion box.
2. To align, slide it back and forth across the head track.
3. Tighten and secure the locking receiver with 2 sets screws.

Sliding Panel to Swing Panel Conversion



**2 Convert a sliding panel to a single action swing panel.**

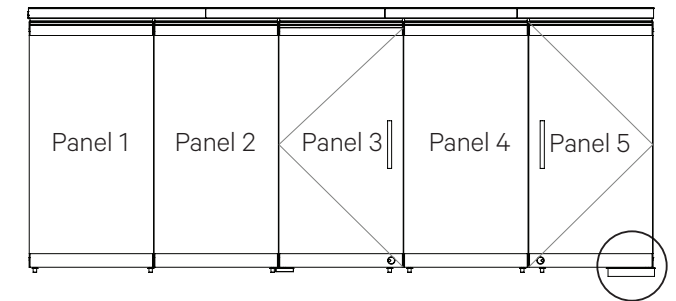
1. The quick release lock, located on the bottom rail of the panel, on the pivot side must be secured to the pivot box in the floor before the single action sliding panel can be converted from a sliding panel to a swing panel and vice versa.
2. Use the crank handle, for the conversion box, to activate the 2-in-1 locking mechanism.
  - To disengage the locking bolt - turn crank handle clockwise.
  - This will, simultaneously, disengage the lower part of the top rail and engage the upper part of the top rail.
  - This will allow the panels to swing and simultaneously engage the locking bolt into the locking receiver at the head track.
3. To change panel from swing to sliding, follow the steps in reverse order.
  - **Ensure the quick release lock is secured into the pivot box at all times.**



Locking receiver is on the opposite side of the door shown.

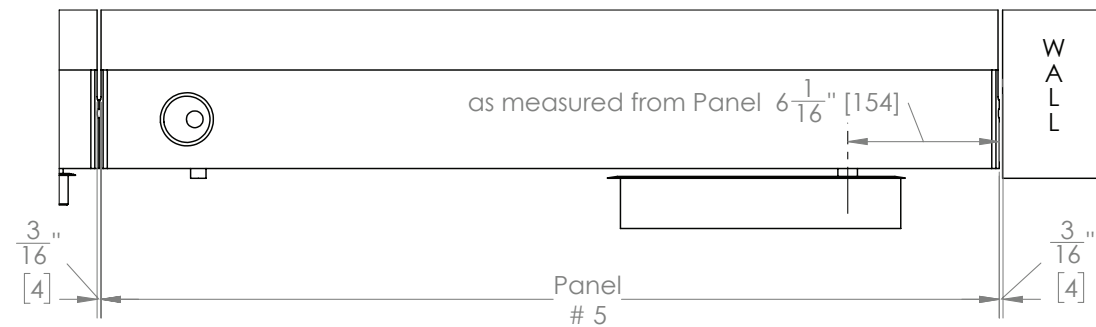
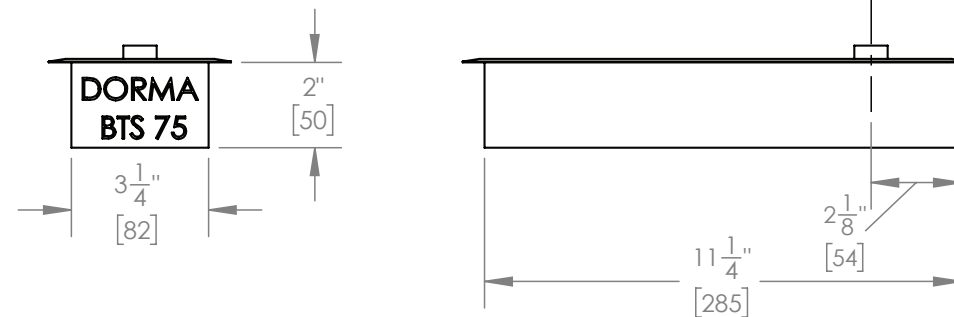
# Single/Double Action End Panel (Non-Sliding) Installation

## OPTION 1: FLOOR CLOSER INSTALLATION

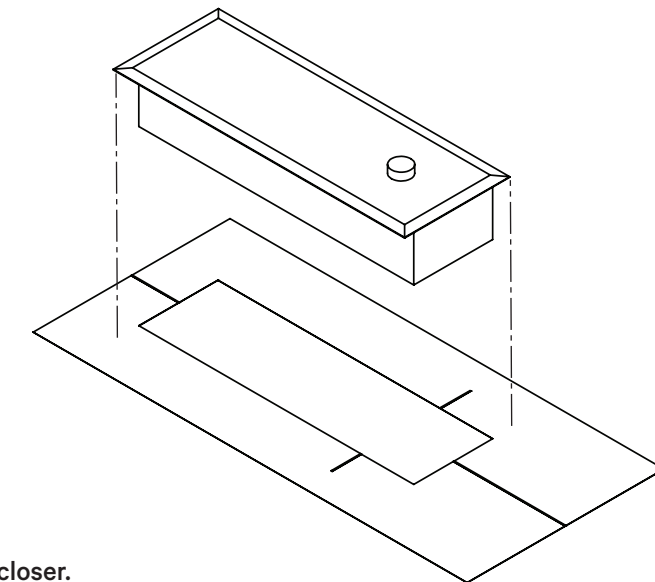
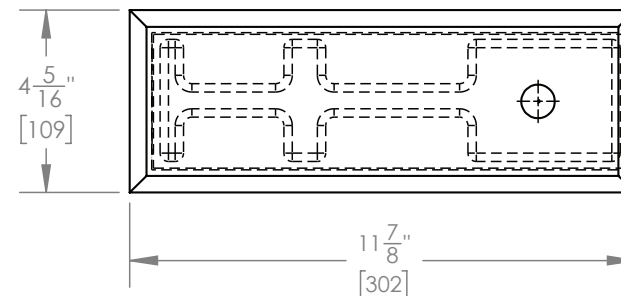


Floor closer locations may vary. Image shown as an example.

All holes for pivot points and floor closers must be made in precise locations in the floor.



 Measure and Compare with Dimensions on Drawing



### 1 Measure floor closer location dimensions.

1. For the center pivot end panel (non-sliding) with floor closer, the center of the pivot axle of the floor closer to the adjacent wall is 6 1/4" (158 mm).
2. Place a piece of blue masking tape across the existing chalk line and mark the dimension from above 6 1/4" (158 mm).
3. On the tape, draw a line perpendicular to the chalk line, to note the center point of the pivot axle of the floor closer.

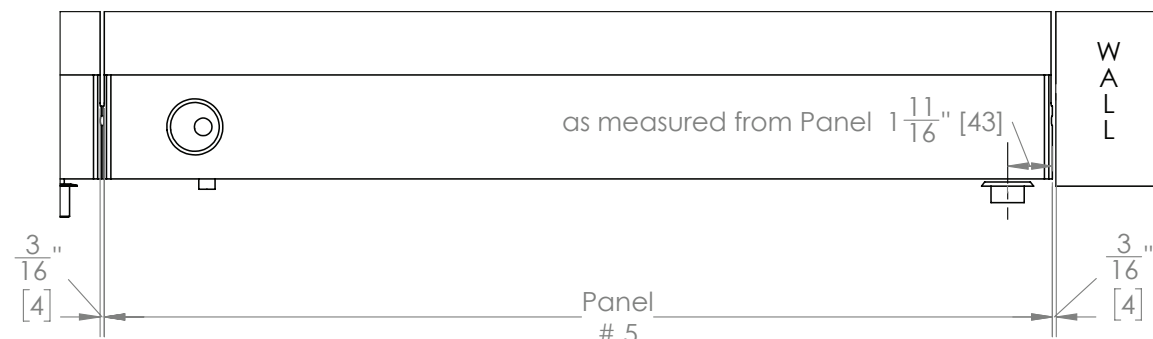
### 2 Install the floor closer.

1. Use the center point of the pivot axle to mark all dimensions of the floor closer on the floor.
2. If concrete, cut and chisel out the concrete to recess the floor closer into the floor so the top of the box is at the top of the finished floor.
3. Position the box and temporarily shim in the correct location in relationship to the edge of the wall.
  - Ensure the full underside of the floor closer box rests on the flush and level surface.
  - If necessary, add shims under the floor closer to ensure the top of the box is at the height of the finished floor.
4. Once the correct location is confirmed, fully anchor the floor closer.
5. For any needed adjustment, refer to the floor closer installation manual.



**OPTION 2: PIVOT POINT INSTALLATION**

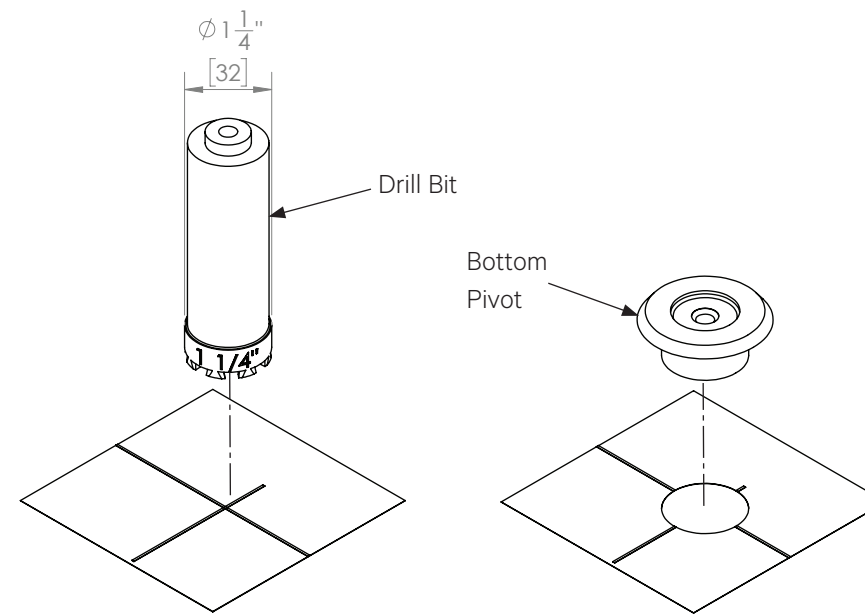
All holes for pivot points and floor closers must be made in precise locations in the floor.



Measure and Compare with Dimensions on Drawing

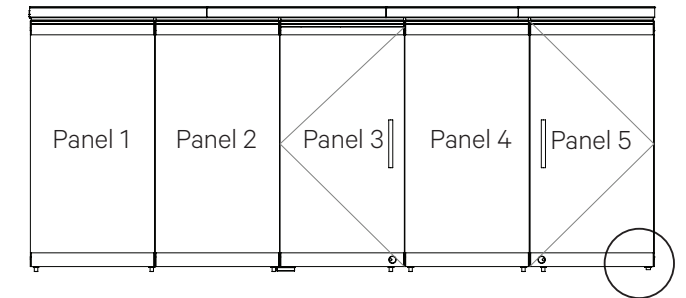
**1 Measure the pivot point location dimensions.**

1. Start at the bottom and use the chalk line as a reference line.
2. Measure the overall width of the panel and compare it with the dimension on the custom product drawing.
3. To this dimension add 3/16" (4 mm) at each end to ensure a 3/16" (4 mm) gap is maintained between each panel and between the panel and the wall.

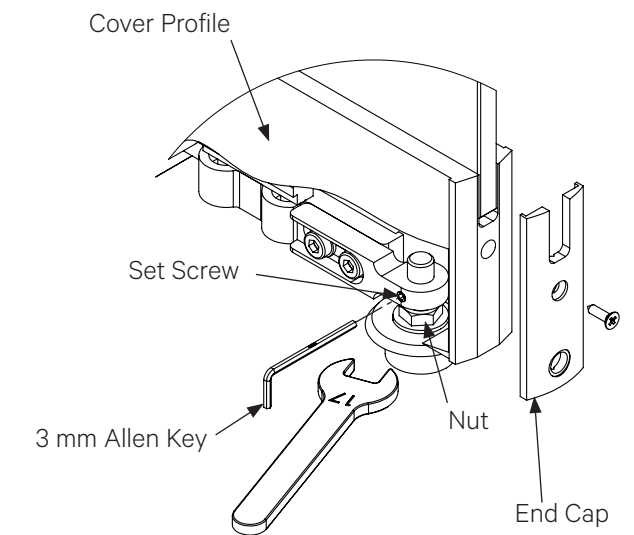


**2 Install center pivot point.**

1. The center of the pivot axle to the adjacent edge of the panel (end cap) is 1 11/16" (43 mm) plus the additional 3/16" (4 mm) gap to the wall.
2. The total will now equal 1 7/8" (47 mm) to the edge of wall.
3. Place a piece of blue masking tape across the existing chalk line (where the dimension of the centerline of the socket is marked) and mark this dimension on the tape.
4. On the tape, draw a line perpendicular to the chalk line, to note the center point of the pivot point socket.
5. If concrete, use a 1 1/4" diameter diamond core drill bit and drill the proper depth required so the flange of the pivot point socket sits at the finished floor height.
6. Install the pivot point socket using a fastener and anchor it through its center, so the bottom of the flange is equal to the top of the finished floor height.



Pivot point locations may vary. Image shown as an example.

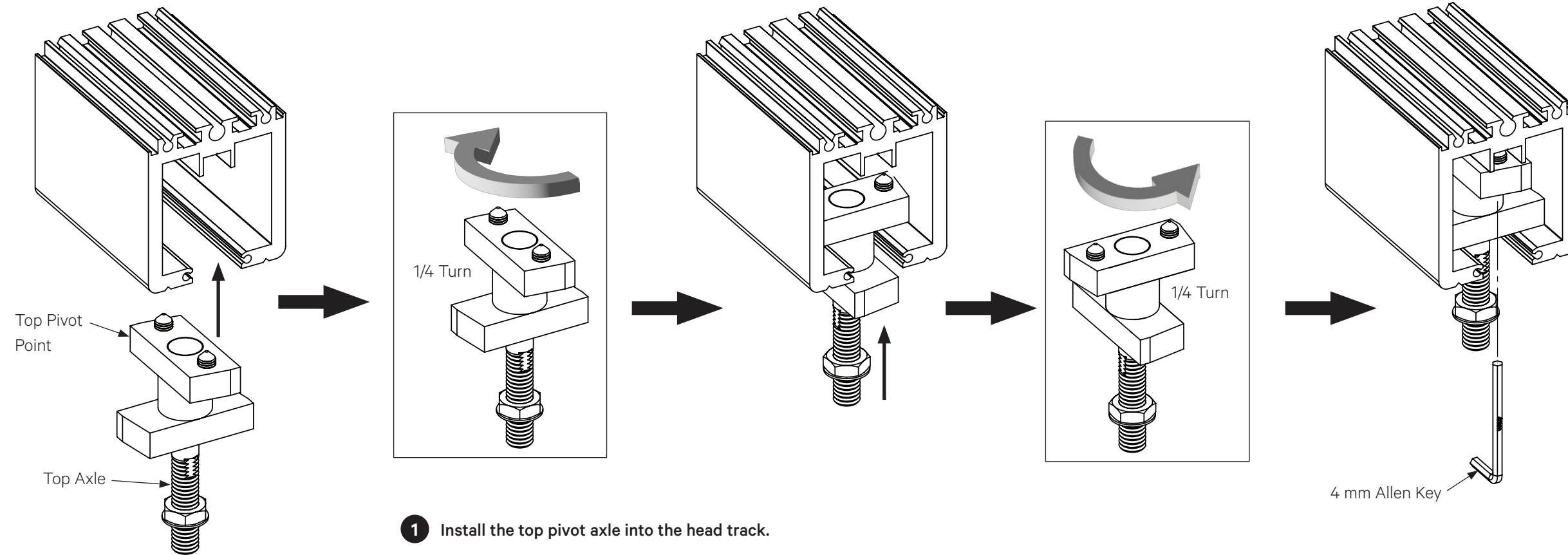
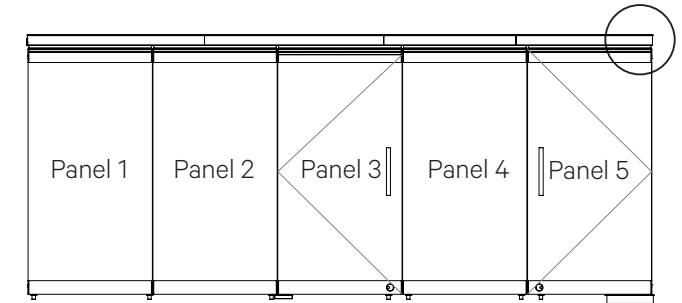


**3 Adjust door height.**

1. Remove the end cap and slide the cover profile off to the side.
2. Loosen the set screw on the hinge with an Allen key.
3. Using a 17 mm open end wrench, rotate the nut on the pivot to adjust the door height accordingly.
4. Tighten the set screw using an Allen key.
5. Reinstall cover profile and end cap.

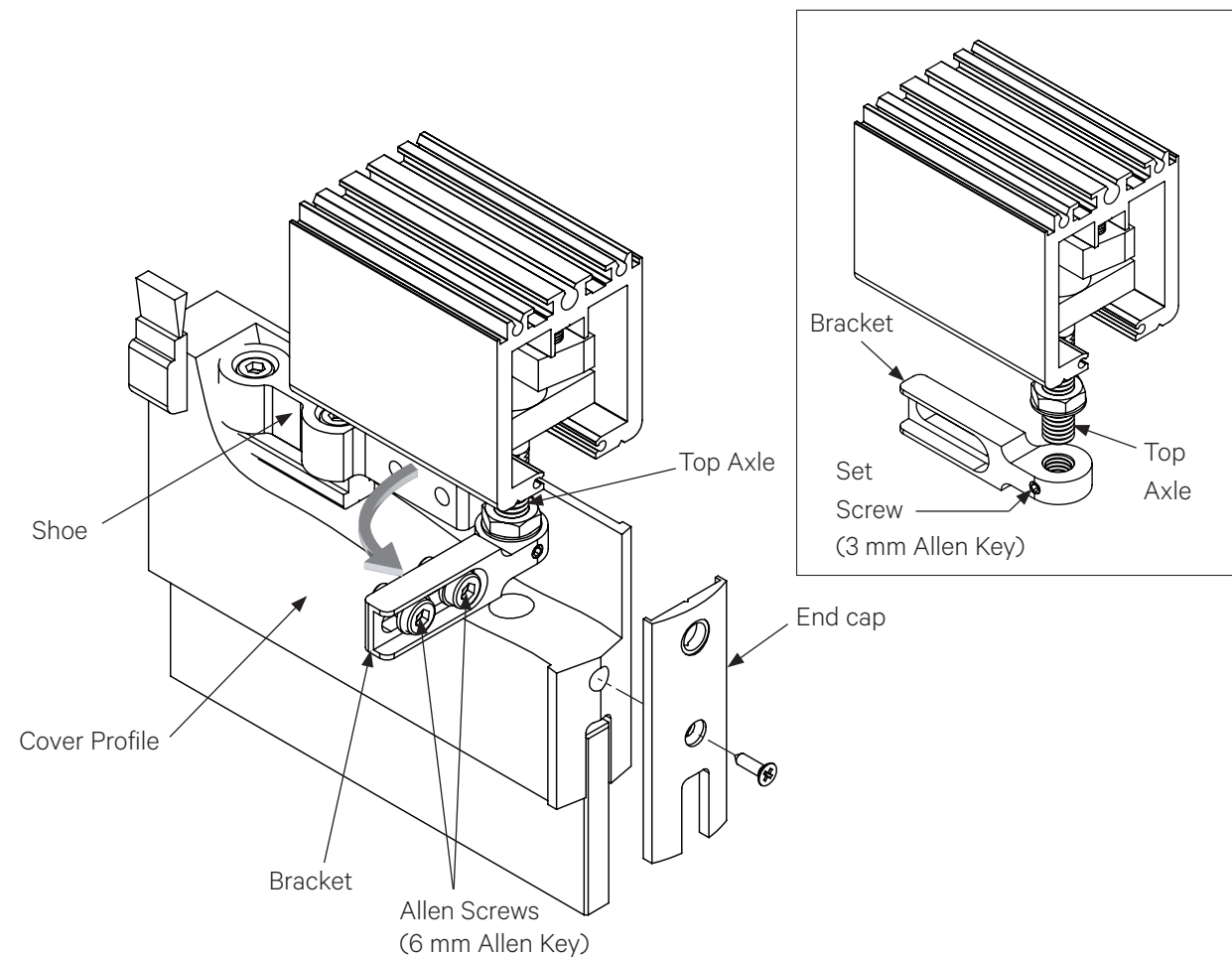
**TOP PIVOT INSTALLATION**

Top pivot locations may vary. Image shown as an example.



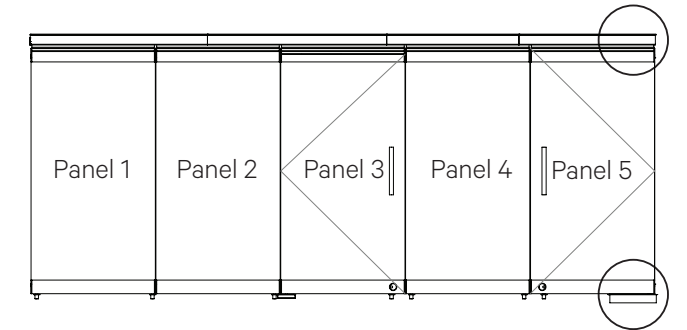
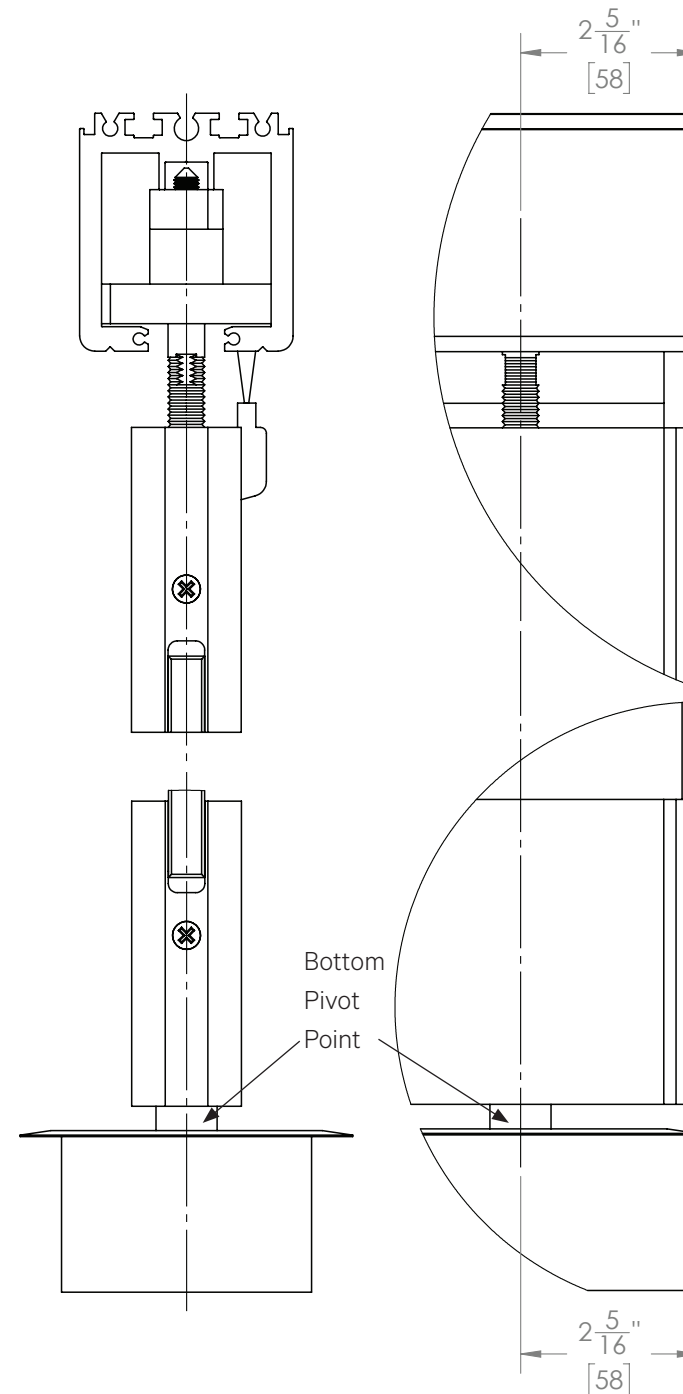
- 1** Install the top pivot axle into the head track.
1. Insert the top pivot point into the head track and rotate it 1/4 turn.
  2. Push it up fully into the head track and tote it 1/4 turn, in the opposite direction, to lock it in place.
  3. Use a plumb bob or laser, or other similar precise measuring equipment, to align the center of the bottom pivot point with the center of the top axle.
  4. Set the top pivot point assembly in place by tightening the 2 set screws.

**INSTALL SINGLE/DOUBLE ACTION END PANEL WITH STANDARD PIVOT POINTS (NON-SLIDING)**



**2 Install end panel.**

1. In preparation for the installation of a swing panel, remove the end cap and cover profile from the interior side of the panel.
2. Loosen the Allen screws (using a 6 mm Allen key) and separate the bracket from the shoe, located in the top rail.
3. Loosen the set screw (using a 3 mm Allen key) and thread the bracket onto the top axle of the top pivot point.



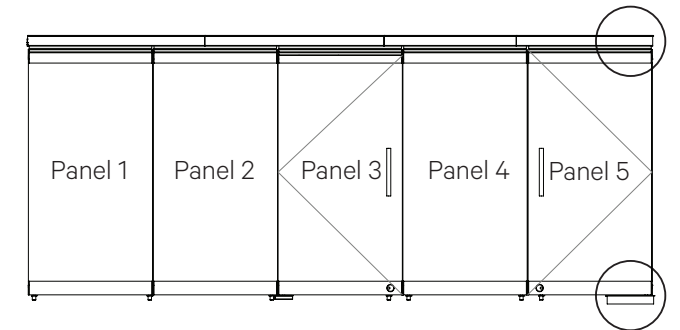
**3 Set bottom floor closer and top pivot points, in that order.**

1. Lift panel with bottom pivot axle onto the bottom pivot point of the floor closer.
2. Align the top axle with the bracket attached to the top rail.
  - Before fully tightening down all screws, ensure all dimensions are set correctly and the panel can be opened and closed with the right clearance.
3. Check if the panel is plumb and level.
  - If not, follow instructions for height and width adjustment.
4. Align the bracket with the shoe and tighten the Allen screws with an Allen key.

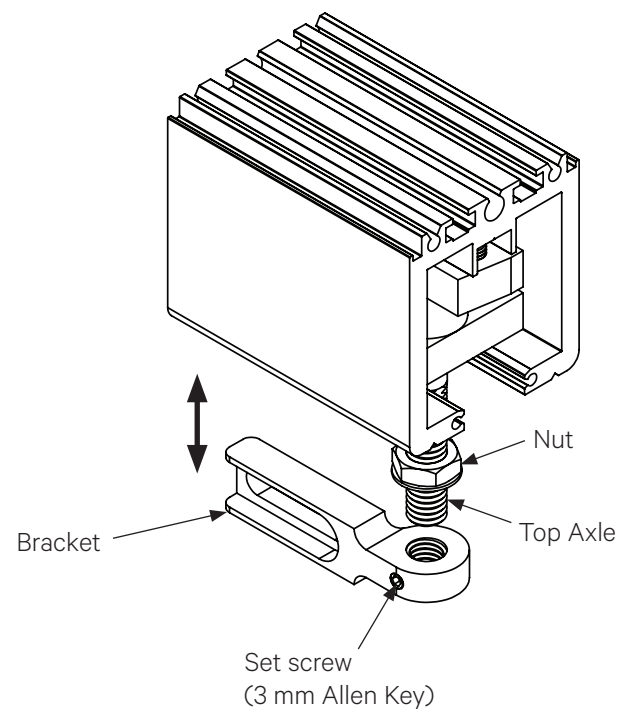
**NOTE: If panel height adjustment is needed, do not tighten set screw or reinstall end cap and cover profile at this time. Follow steps in "Single/Double Action End Panel Adjustment" section.**

5. Secure the top axle and bracket by fully tightening the set screw from the side.
6. If no panel height adjustment is necessary, reinstall the end cap and cover profile.

**SINGLE/DOUBLE ACTION END PANEL ADJUSTMENT**



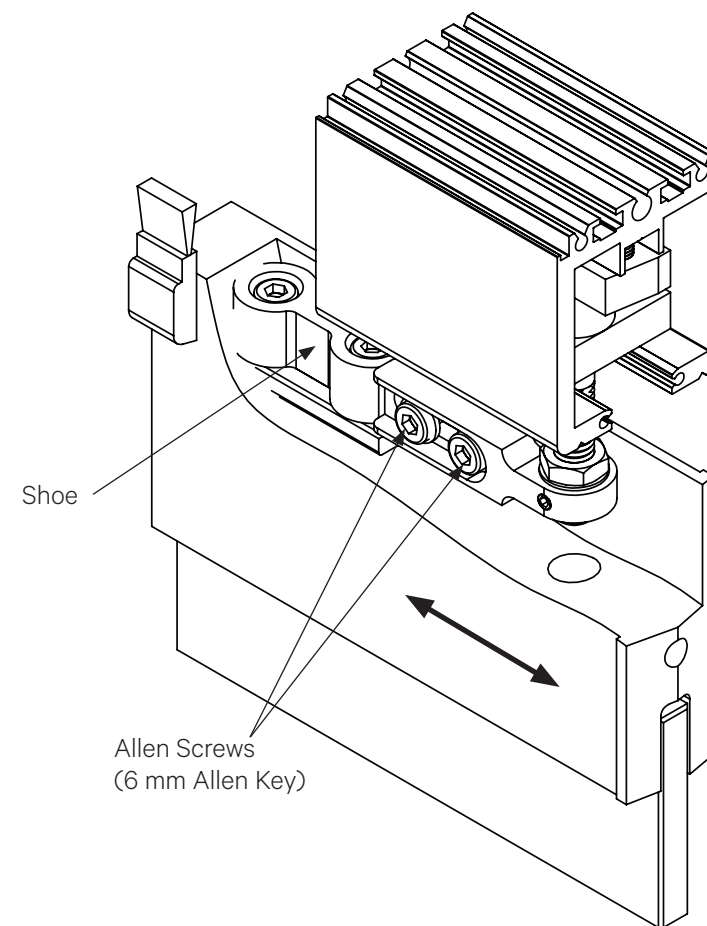
**Height Adjustment**



**1 Adjust height of panels (optional).**

1. Ensure set screw is loose and allows for the top axle to turn.
2. Rotate the nut (using a 17 mm open end wrench) to raise or lower the height of the panel.
3. Once proper height is achieved, ensure set screw is fully tightened to prevent top axle from moving during operation.
4. Reinstall cover profile and end cap to the top rail.

**Width Adjustment**



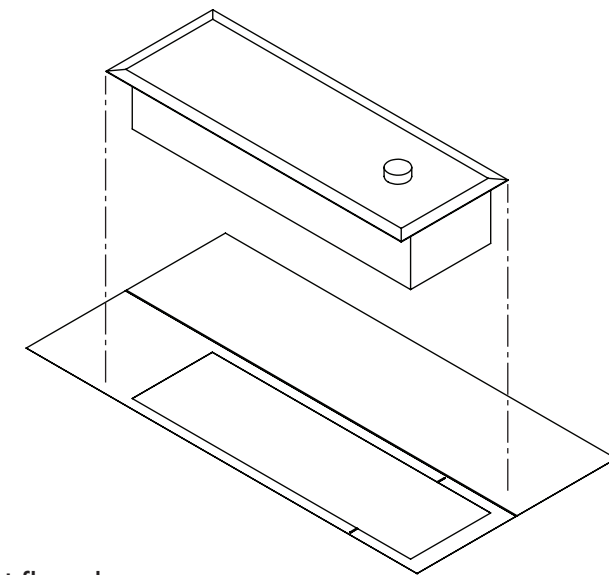
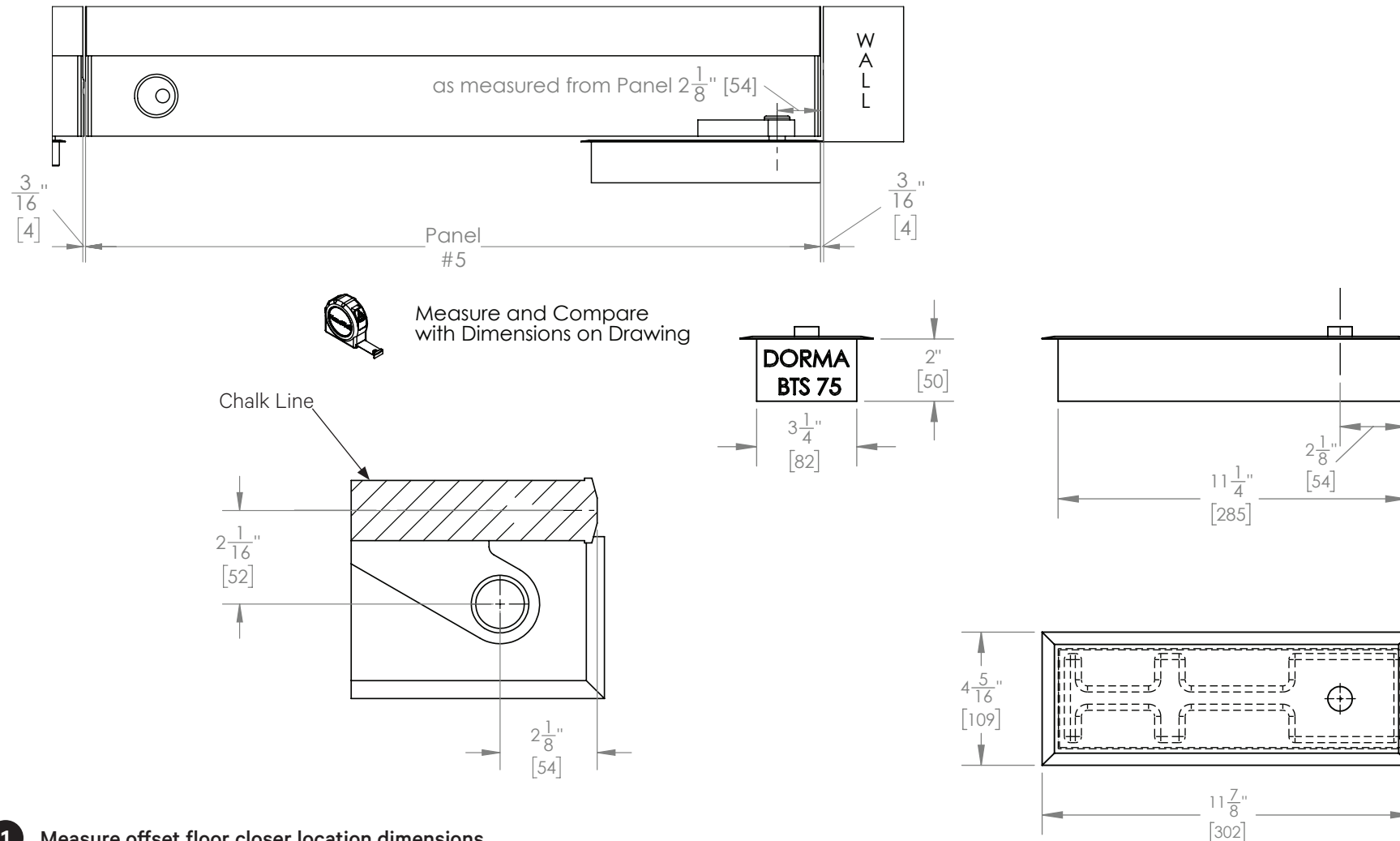
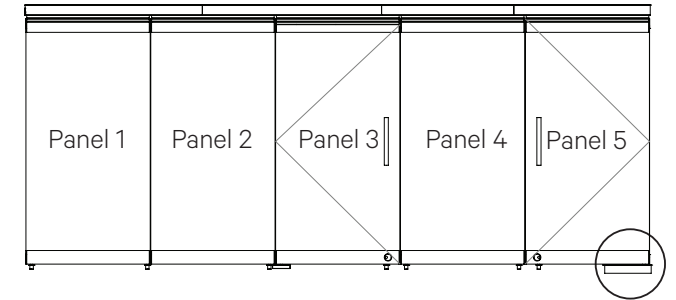
**2 Adjust the width of the panel (optional).**

1. Loosen the Allen screws using a 6 mm Allen key.
2. Slide the top part of the panel left or right to adjust width.
3. Re-tighten Allen screws.
4. Reinstall cover profile and end cap to the top rail.

# Single Action End Panel with Offset Hinge (Non-Sliding) Installation

## OPTION 1: OFFSET HINGE WITH FLOOR CLOSER INSTALLATION

All holes for pivot points and floor closers must be made in precise locations in the floor.



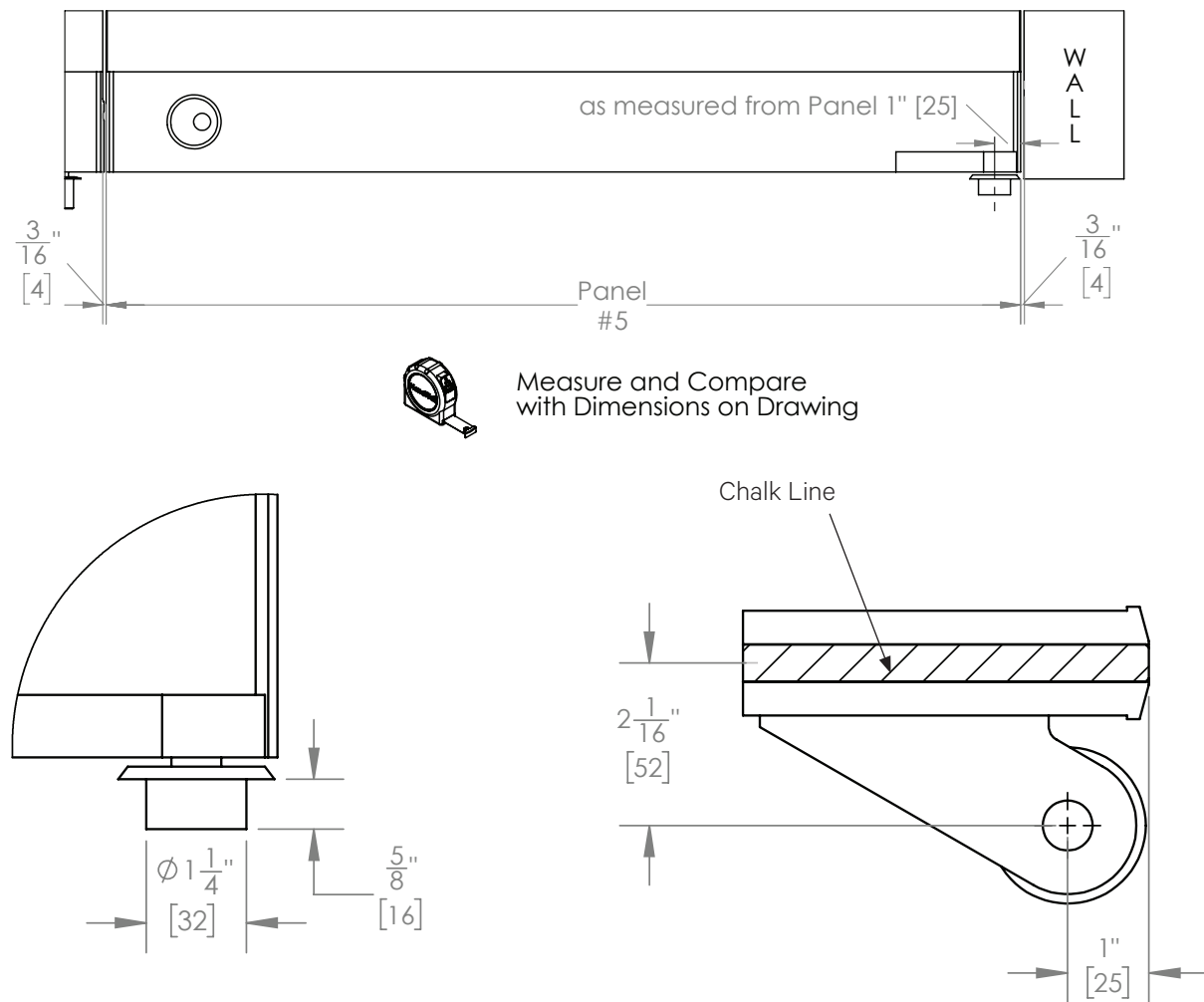
### 1 Measure offset floor closer location dimensions.

1. The center of the pivot axle to the adjacent wall is 2 5/16" (58 mm).
2. Place blue masking tape on the floor to mark the offset to the chalk line by 2 1/16" (52 mm). *Please check custom product drawing for swing direction (inside/outside).*

### 2 Install the offset floor closer.

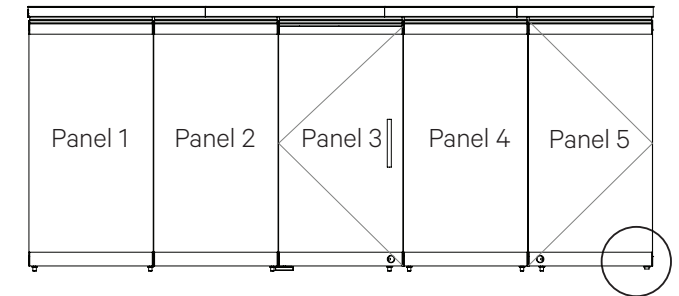
1. Mark dimensions of the floor closer box on the floor to be cut out.
2. If concrete, cut and chisel out the concrete to recess the floor closer into the floor so the top of the box is at the top of the finished floor.
3. Position the box and temporarily shim in the correct location in relationship to the edge of the wall.
  - Ensure the full underside of the floor closer box rests on the flush and level surface.
  - If necessary, add shims under the floor closer to ensure the top of the box is at the height of the finished floor.
4. Once the correct location is confirmed, fully anchor the floor closer.
5. Prior to installation, measure and cut the floor closer cover, if necessary, to ensure it properly fits.
6. For any needed adjustment, refer to the floor closer installation manual.

**OPTION 2: OFFSET HINGE PIVOT POINT INSTALLATION**

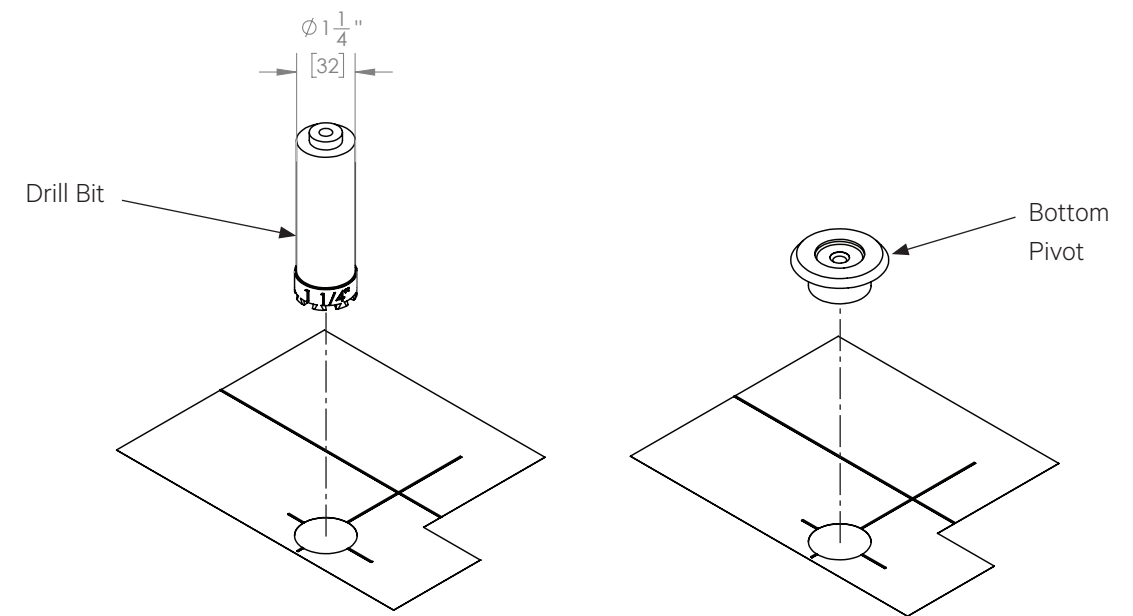


**1 Measure offset pivot point location dimensions.**

1. The center of the pivot axle to the adjacent wall is  $1 \frac{3}{16}$ " (29 mm).
2. Ensure it is offset to the chalk line by  $2 \frac{1}{16}$ " (52 mm). *Please check custom product drawing for swing direction (inside/outside).*



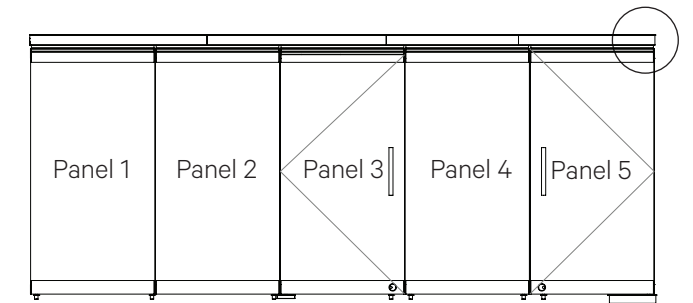
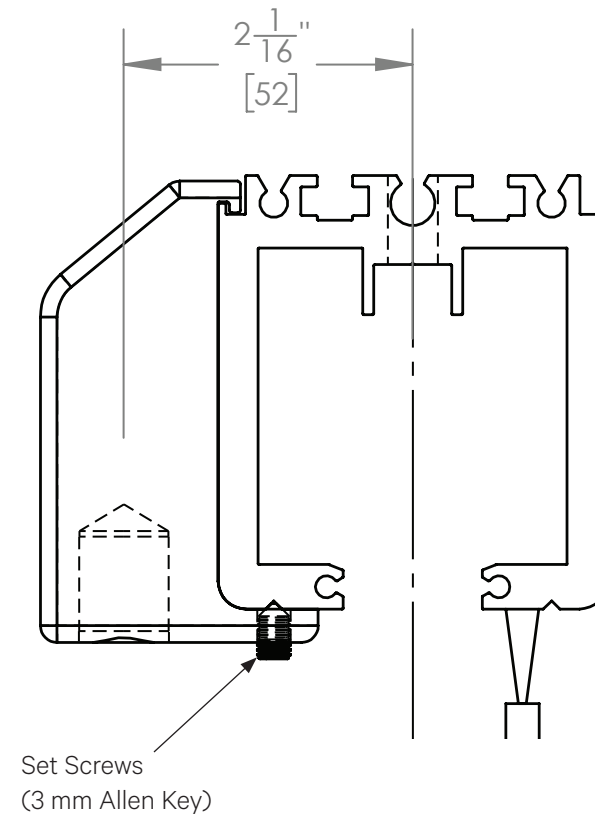
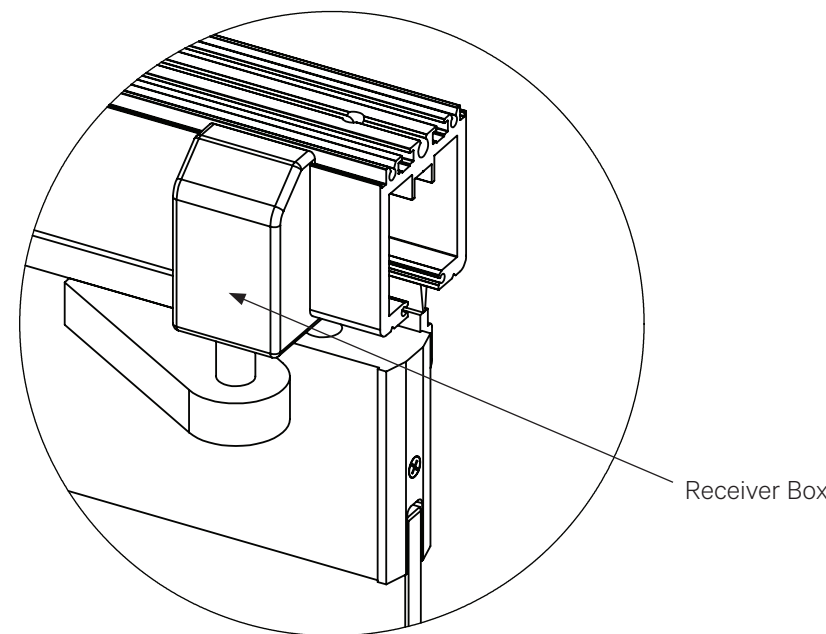
All holes for pivot points and floor closers must be made in precise locations in the floor.



**2 Install offset pivot.**

1. Place a piece of blue masking tape across the existing chalk line (where the dimension of the centerline of the socket is marked) to mark this point.
2. Measure proper distance from the chalk line and draw a perpendicular line (this indicates the center point of the offset pivot socket).
3. Draw a parallel line to mark the center point for drilling.
4. If concrete, use a  $1 \frac{1}{4}$ " diameter diamond core drill bit and drill the proper depth required so the flange of the socket sits at the finished floor height.
5. Install the bottom pivot point using a fastener and anchor through the middle of the socket.

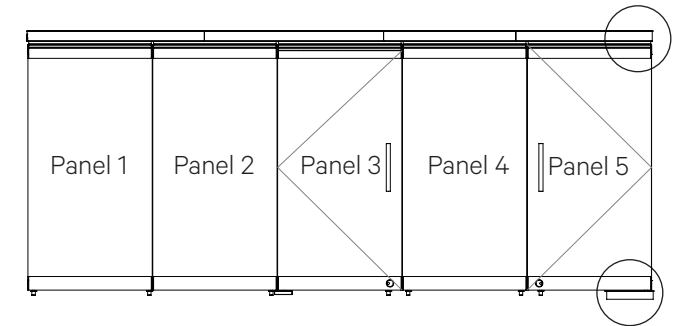
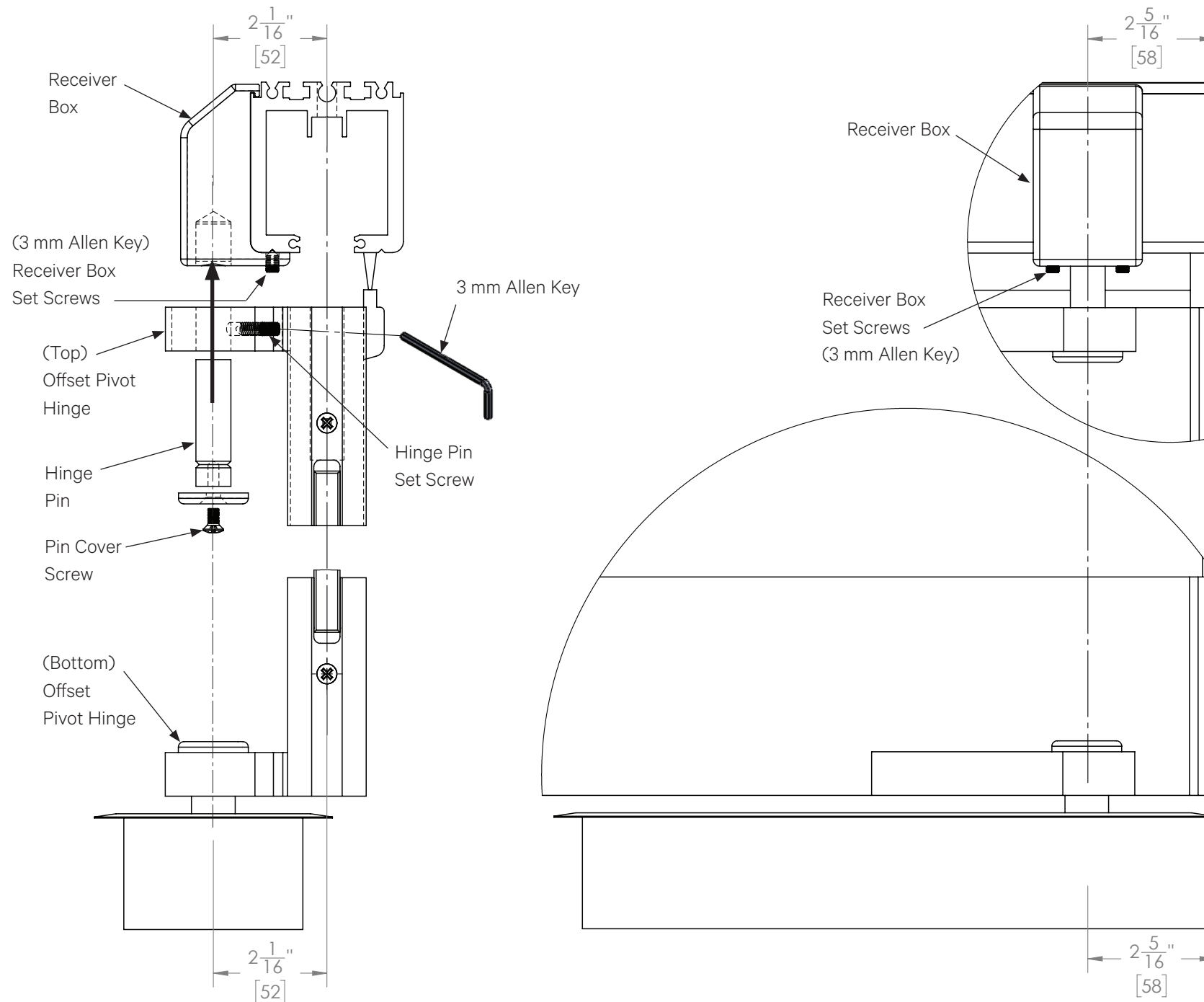
**TOP OFFSET HINGE RECEIVER BOX INSTALLATION**



- 1** Install the receiver box for the top offset pivot.
  1. Install the receiver box, for the hinge pin, to the side of the head track.
  2. Secure it loosely with the 2 set screws.



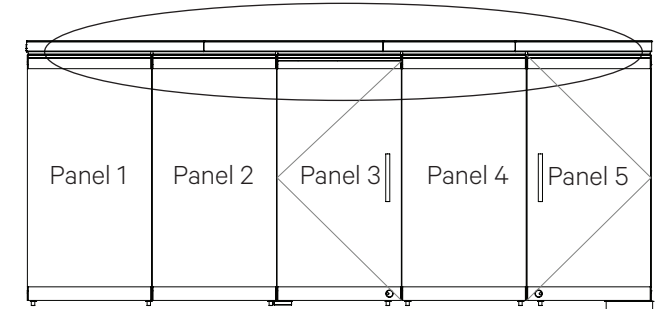
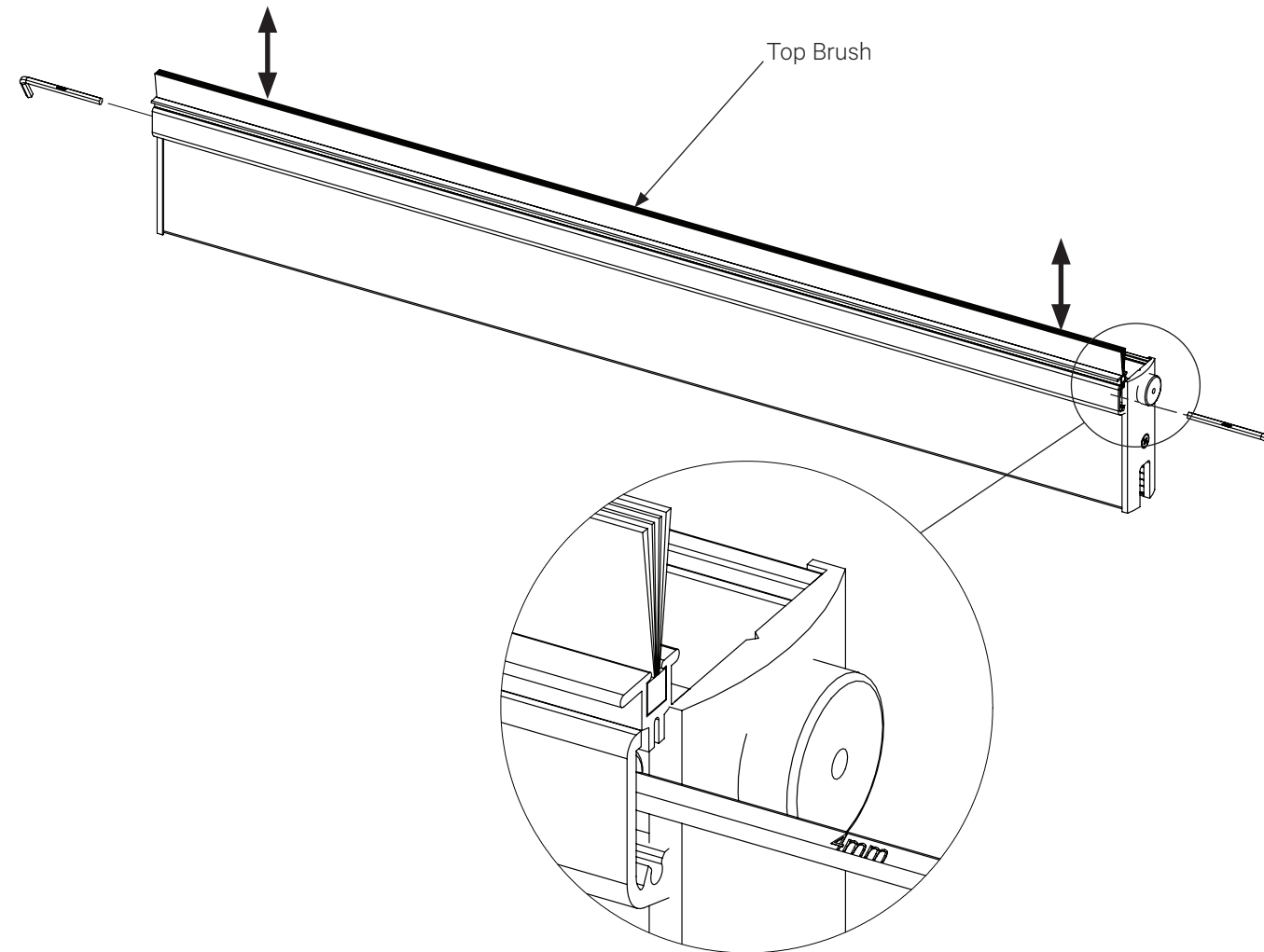
**INSTALL SINGLE ACTION END PANEL WITH OFFSET HINGE WITH FLOOR CLOSER (NON-SLIDING)**



**1 Set bottom and top offset pivot points in the below order.**

1. Offset pivot hinges are pre-installed on swing panel.
2. Set the bottom pivot hinge with axle on top of the pivot axle of the floor closer.
3. Use a plumb bob, laser, or other similar precise measuring equipment to align the center of the bottom pivot hinge point with the center of the top receiver box.
4. Once aligned, fully tighten the 2 set screws on the receiver box.
5. Align the top offset pivot hinge with the receiver box at the top.
6. Take the hinge pin out of the accessory box and connect the hinge and the receiver box by sliding the pin in from underneath.
7. Secure the hinge pin with the set screw from the side and secure the pin cover with included screw.
  - **Prior to fully tightening all screws, ensure all dimensions are set correctly and the panel can be opened and closed with the right clearance.**
8. Check if the panel is plumb and level.
9. Once all installation and adjustments have been made, including the floor socket for the locking point of the pivot panel, anchor the floor closer with proper fasteners as needed.
  - If needed, use other adhesives to secure the floor closer in place.

## Top Brush Height Adjustment



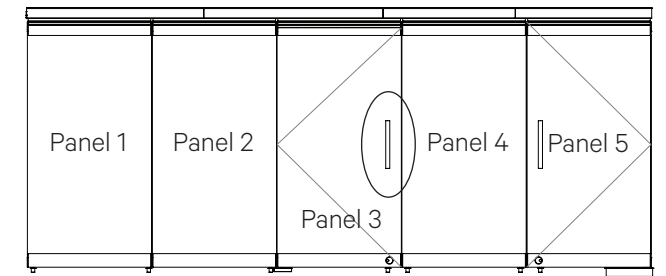
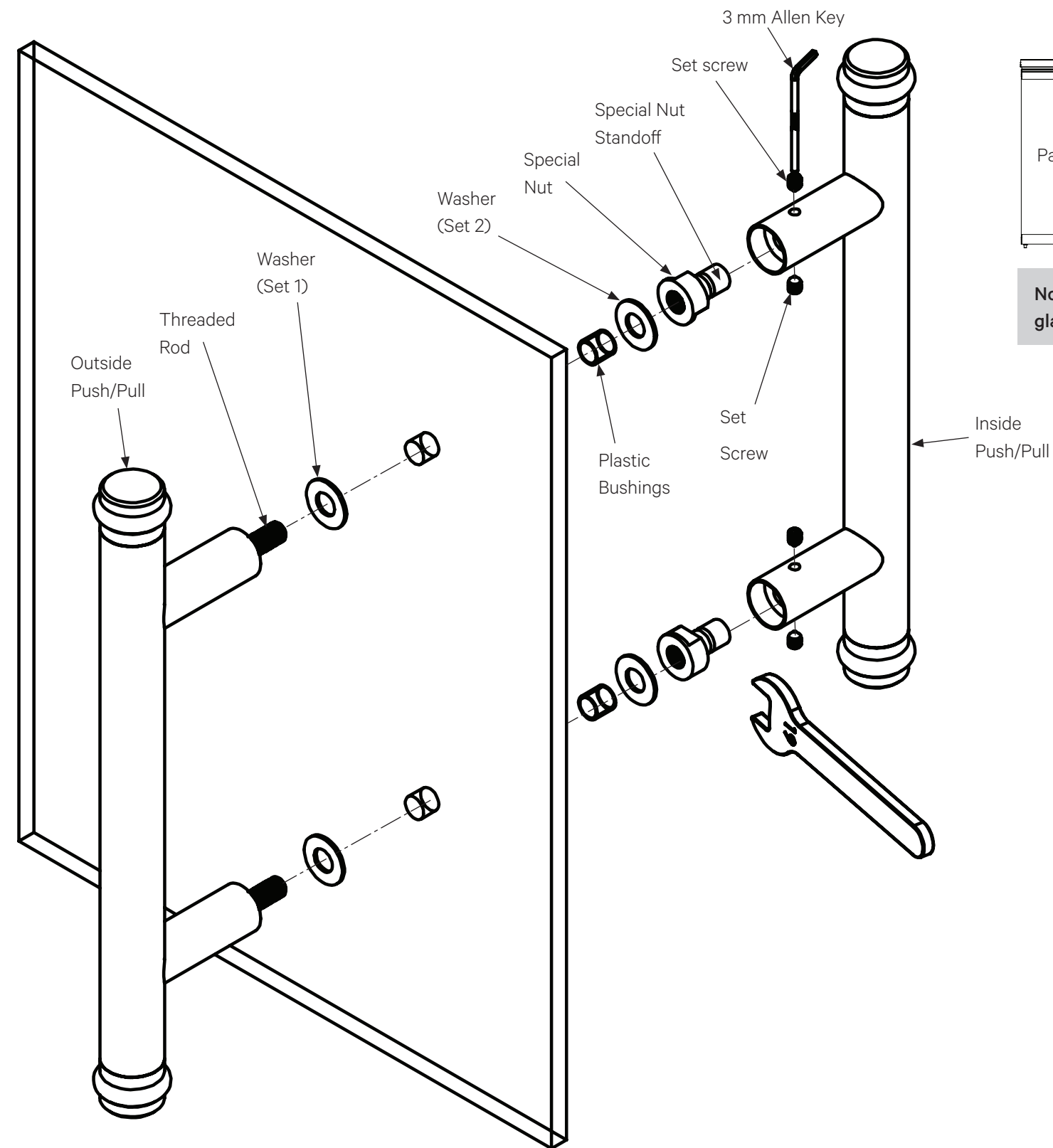
**1 Adjust the height of the top brush.**

1. Insert 4 mm Allen key into the end of the rail.
  - **To raise the top brush** - turn Allen key clockwise.
  - **To lower the top brush** - turn the Allen key counter clockwise.

# Push/Pull Handle Installation

## 1 Install push/pull handle onto door.

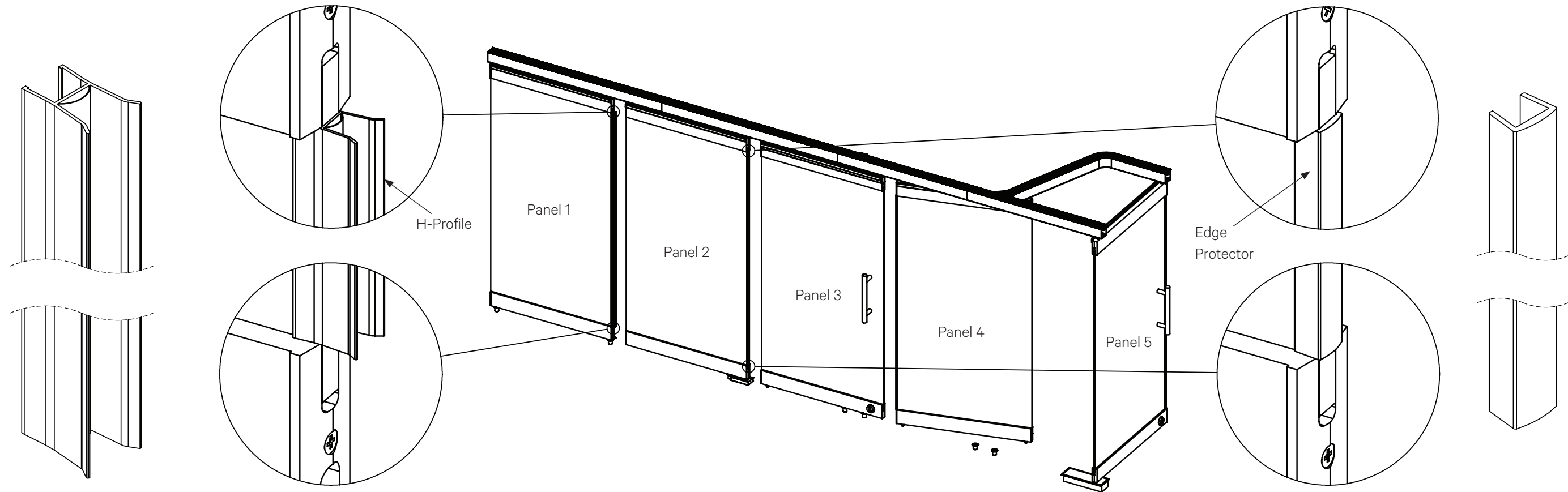
1. Place one set of washers onto the threaded rods of the outside push/pull.
2. Place the outside push/pull through the glass. Hold in place.
3. Slide plastic bushings through the holes, of the glass, and over the threaded rods.
4. Slide second set of washers onto the threaded rods.
5. Thread the special nuts onto the threaded rods using a 19 mm open end wrench.
6. Place the inside push/pull onto the threaded rods.
7. Secure handle in place with the included set screws (using an Allen key) through the top and bottom of each standoff.



**Note: Important to add plastic bushing in hole of glass to avoid metal to glass contact.**

# H-Profile and Edge Protector Installation

Refer to Product Drawings for specific placement of H-Profiles and edge protectors.



**1** Install H-profile onto sliding panel.

*For use on:*

- *sliding panels that are next to other sliding panels only.*

1. Slide the panels apart for easier access.
2. With cutters or a saw, evenly cut the H-profile to fit and so that the top and bottom ends are square.
3. Press H-profile along one side of each sliding panel where shown in product drawing.

**DO NOT use a hammer or similar device to tap into place.**

**1** Install edge protector onto panel.

*For use on:*

- *swing panels.*
- *side of sliding panel directly next to a swing panel.*
- *a panel against a wall or other surface jamb.*

1. Slide the panels apart for easier access.
2. With cutters or a saw, evenly cut the edge protectors to fit and so that the top and bottom ends are square.
3. Press edge protector along one side as shown in product drawing.

**DO NOT use a hammer or similar device to tap into place.**

## NanaWall Limited Warranty

NanaWall is pleased to provide the following warranty to the owner of NanaWall products, including the initial purchaser and all subsequent owners ("Owner"), subject to all terms and conditions stated herein. This Warranty supersedes all previous product warranties and is the exclusive statement of all commitments and rights of NanaWall with respect to its products sold on or after May 1, 2023, to be installed in the United States (excluding territories) or Canada.

NanaWall shall have no obligation to respond under this Warranty until receipt of proper notice of a claim and an opportunity to respond. Upon notice and confirmation by NanaWall of a condition covered under this Warranty, NanaWall will respond in good faith and in a timely manner as follows:

### TEN YEAR COVERAGE

**For ten (10) years from the date of delivery by NanaWall ("Delivery"), NanaWall will respond as follows:**

**Insulated Glass.** For an insulated glass unit with a permanent material obstruction of vision due to a premature failure of the glass seal, NanaWall will ship a replacement glass unit or panel.

**Exception:** insulated glass units for cero® are covered for five (5) years from Delivery.

### Powder Coat or Baked-on Fluoropolymer Surface Finish of Aluminum Profiles:

For powder coat or baked-on fluoropolymer surface finish not functioning as an Effective Surface Material ("ESM"), NanaWall will, at its option, (1) assume reasonable costs to restore the finish using standard commercial refinishing techniques or (2) ship replacement parts. Uneven fading is not a covered condition due to environmental variables.

**Exception:** Products installed within two (2) miles of any coastal area or body of salt water or other harsh or corrosive environments or chemicals ("Harsh Environments") are covered for one (1) year from Delivery, provided that the instructions in Specific Suggested Maintenance For Coastal Salt Water and Other Extreme Environments included in the Owner's Manual

for each Product is available for review on NanaWall's website, is properly implemented and documented.

*\*An ESM is a finish without (1) substantial cracking, chipping, or peeling due to the deterioration of the finish (exclusive of mechanical damage); (2) chalking in excess of a numerical rating of 8 as per ASTM D 659; or (3) fading or color changes in excess of 5 NBS units as per ASTM D 2244.*

**Rollers.** For a roller with material or workmanship issues that significantly impair proper operation and function, NanaWall will ship a replacement roller.

### Wood and Other Remaining Components (for product installed by an independent NanaWall Certified Installer or Approved Installer\*).

For all remaining components of NanaWall products not otherwise addressed herein with a material or workmanship issue that substantially impairs operation and function, NanaWall will, at its option, (1) ship a replacement part or product or (2) ship any replacement part or replacement product in the same state for fitting and/or finishing as originally supplied by NanaWall. This includes wood frame components, hinges, handles, locking mechanisms, tracks, beads, and weather-stripping.

### FIVE YEAR COVERAGE

**For five (5) years from Delivery, NanaWall will respond as follows:**

**Laminated Glass.** For a laminated glass unit with permanent material obstruction of vision due to premature delamination, NanaWall will ship a replacement glass unit or panel.

### Wood and Other Remaining Components (for product NOT installed by an independent NanaWall Certified Installer or Approved Installer\*).

For all remaining components of NanaWall products not otherwise addressed herein with a material or workmanship issue that substantially impairs operation and function, NanaWall will ship a replacement part or product without charge in the same stage of fitting and/

or finishing as originally supplied by NanaWall. This includes wood frame components, hinges, handles, locking mechanisms, tracks, and weather-stripping.

### THREE YEAR COVERAGE

**For three (3) years from Delivery, NanaWall will respond as follows:**

**Anodized Surface Finish of Aluminum Profiles.** For anodized surface finish of aluminum profile not functioning as an ESM,\* NanaWall will, at its option, (1) assume reasonable costs to restore the finish on a non-compliant (non-ESM) material using standard commercial refinishing techniques or (2) ship replacement parts.

**Exception:** Products installed in Harsh Environments are not covered.

### ONE YEAR COVERAGE

**For one (1) year from Delivery, NanaWall will respond as follows:**

**Screens.** For a screen part (excluding screen mesh) with a material or workmanship issue that substantially impairs the function of the screen, NanaWall will, at its option, (1) ship a replacement screen or (2) upon return by Owner, repair the screen without charge.

### ADDITIONAL SERVICE INFORMATION

This Warranty does not cover labor costs to remove existing parts or products, install a replacement part or product, costs to finish wood products, or the cost to repair or replace surrounding substrates, trim, or other work. Nor does it cover costs incurred due to delays or other construction costs, costs for late or damaged delivery, loss of revenue, loss of time, liquidated damages, inconvenience, or loss of use of the product or any parts or components. NanaWall reserves the right to determine whether or not a covered condition exists. If the claim is not covered under this Warranty, NanaWall may charge and collect a fee for on-site product inspections.

Any replacement part or product will be shipped to the location of original product delivery by NanaWall. Replacement products will be the closest equivalent current product and may not be an exact match to the original. Any replacement parts or any repairs are warranted for the remainder of the original limited warranty period. If providing a replacement part or product is not commercially practicable, NanaWall may elect to refund the purchase price of the affected product in full satisfaction of its obligations.

**Wood.** Wood components must be properly finished on all sides promptly after receipt of unit, before installation, and prior to exposure to weather. Repair or replacement of a warped wood panel or frame can be delayed by up to 12 months from date of claim to allow the wood component to adjust to local environmental conditions.

**Glass.** Unloading the replacement glass/panel from the delivery truck is the responsibility of the Owner. Due to the weight of the product, appropriate manpower and/or equipment will be needed to unload and move the glass/panel to the location for replacement. Depending on the size of the replacement part and interior building dimensions, it may not be possible to transport the glass/panel through the interior of the building. NanaWall is not responsible for any costs associated with moving the replacement glass/panel at the delivery location.

*\*Whether an installer is a NanaWall Certified Installer or Approved Installer is determined by the installer's status as of the date of delivery. NanaWall maintains information regarding the installers designated as Certified Installers or Approved Installers.*

# NanaWall Limited Warranty

## NOTICE PROCESS

Written notice of any claim under this Warranty with supporting documents such as photos or videos must be given to NanaWall Systems, Inc. via email to [service@nanawall.com](mailto:service@nanawall.com) or via mail to 100 Meadowcreek Drive, Corte Madera, CA 94925, promptly when discovered. A condition will not be covered under this Warranty if there is a failure to notify NanaWall in writing (1) within 7 days of receipt of the product for any defect which an ordinary inspection would reveal, (2) within a reasonable time during the warranty period after an impairment in operation and use in manifest or a hidden defect is discovered, or (3) for claims first made after expiration of the coverage period outlined in this Warranty.

## DISCLAIMERS & LIMITATIONS

Any responsibility of NanaWall is contingent upon Owner fulfilling its notice obligations as stated in this Warranty. The Owner shall have no standing to assert a claim absent timely notice to NanaWall and an opportunity to cure. The remedies prescribed in this Warranty are the exclusive and sole remedies available to the Owner who hereby waives any claim not encompassed herein. This exclusivity and waiver survive expiration of warranty coverages herein. In no event shall the liability of NanaWall or any seller of NanaWall product exceed the price paid for the product.

This Warranty is the sole and exclusive warranty for NanaWall products. **ALL OTHER WARRANTIES, EXPRESS OR IMPLIED, INCLUDING ANY WARRANTY OF MERCHANTABILITY OR FITNESS FOR A PARTICULAR PURPOSE, ARE DISCLAIMED. NanaWall SHALL NOT BE LIABLE FOR CONSEQUENTIAL OR INCIDENTAL DAMAGES.** Some state and federal laws may not allow disclaimers or of implied warranties or exclusions of incidental or consequential damages, so these limitations or exclusions may not apply to you. Where federal law prohibits disclaimer of implied warranties, the duration of any implied

warranty is limited to the duration of the relevant coverage period, if less than the statutory limitation period. This Warranty gives you specific legal rights, and you may also have other rights which vary from state to state.

This Warranty may only be modified by a writing signed by an officer of NanaWall. Any action taken by NanaWall does not create a new warranty or extend the duration of the original product warranty. A failure by NanaWall to enforce a warranty provision shall not constitute a waiver barring subsequent enforcement.

## EXCLUDED CONDITIONS

**This Warranty does not cover the following conditions, or any damage or issues caused in whole or part by the following:**

- Improper product selection, application, storage, handling, modification, or waterproofing; Movement of surrounding substrates, including deflection of the header of more than 1/4", or any other stresses on product; Improper installation, flashing, or integration into the structure; Failure to provide an adequate overhang; Failure to prevent the effects of sheeting rain or water; Failure to install proper weep holes in sill where needed, and failure to properly drain water exiting weep holes in the sill; Failure to meet code or specification requirements.
- Finishing by anyone other than NanaWall, including, but not limited to, not properly finishing all sides of wood products promptly after receipt of unit, before installation, and before exposure to weather, finishing exterior wood in dark colors, or not refinishing periodically; Discoloration of finish; Failure to immediately repair any breaches such as scratches, chips, or abrasions in any finish or aluminum profile.
- Condensation, frost, or mold caused by high interior relative humidity; Installation near swimming pools, saunas, hot tubs or other high humidity environments or sources of

chlorine; Harsh chemicals such as road salt, solvents, acid, brick or mortar wash, or cleaning chemicals; Corrosion, oxidation, discoloration or tarnish on product installed in Harsh Environments.

- Normal weathering, wear and tear; Failure to follow the NanaWall operation and maintenance instructions; Failure to operate the product for more than one month; Failure to clean and maintain aluminum surfaces in accordance with AAMA 609 and 610 or not maintaining adequate cleaning records.
- Imperfections in glass that do not affect the product's structural integrity or obscure vision and cannot be detected from within 10 feet as per the ASTM C 1036; Accidental or spontaneous glass breakage; Glass breakage due to thermal or other stresses, or glass with film or other coatings applied to the surface; Industry accepted bow, warm or distortion in glass and minor variations in glass color; Glass not installation as per NanaWall's instructions.
- Variations in wood grain or color; Warp within the allowable warp tolerance for wood panels per ANSI/WDMA I.S. 6-A-01; Warp that does not affect the normal functioning of the Product; Warpage on wood panels caused by leaving panels in the open position exposed to the elements or not engaging the locking points properly when in the closed position; Resin or sap bleeding from wood panels.
- Panel shrinkage or expansion caused by change in weather; Expansion or bowing of aluminum units caused by exposure to sunlight or caused by temperature difference between interior and exterior panel surfaces.
- Acts of God, falling objects, fire, accidents, external forces, extreme weather events, or other conditions beyond NanaWall's control.
- Gas fill or retention levels in insulated glass units.
- Field testing of Product; Performance of the Product in conformance to any published NanaWall testing results (e.g. air infiltration, water infiltration, structural loading, thermal and sound). Published test results measure the laboratory performance of a single sample of the product of a certain size, sill and configuration that may not be applicable to the Product being field tested. Performance during testing may vary depending upon handling, installation, use, maintenance, and time after installation. Field testing must be in compliance with AAMA 502, including water penetration testing at 2/3 of the pressure of applicable published test results.
- Products or components not supplied by NanaWall; Products that have not been paid for in full; Products ordered in larger sizes or special configurations beyond NanaWall's published specifications; Product with glass that is heavier than NanaWall specifications. Product that has been modified or altered in any manner.



# NanaWall Warranty Registration

# NanaWall Warranty Registration

Must be filled out and returned to Nana Wall Systems, Inc., 100 Meadowcreek Drive, Corte Madera, CA 94925 within 30 days from date of purchase of the NanaWall in order for the limited warranty to become effective.

**NANAWALL ORDER #** \_\_\_\_\_ **PROJECT NAME** \_\_\_\_\_

Date of Purchase \_\_\_\_\_ Purchaser Name \_\_\_\_\_

**PROPERTY OWNER**

Name \_\_\_\_\_ Address \_\_\_\_\_

Telephone \_\_\_\_\_ E-mail \_\_\_\_\_

Project Address (if different from above) \_\_\_\_\_

**INSTALLATION**

Installer Name \_\_\_\_\_ Address \_\_\_\_\_

Telephone \_\_\_\_\_ E-mail \_\_\_\_\_

Type of project  new residential  restaurant  shopping mall  
 residential remodel  office building  other \_\_\_\_\_

Architect Name \_\_\_\_\_ Address \_\_\_\_\_

1. Is the installation complete?  yes If yes, date completed \_\_\_\_\_

no If no, date scheduled \_\_\_\_\_

2. Have you been shown how to  yes Is operation satisfying?  yes  no

operate your new NanaWall?  no If no, why not? \_\_\_\_\_

Print Name \_\_\_\_\_

Signature \_\_\_\_\_ Date \_\_\_\_\_

FOLD OR CUT HERE TO MAIL